



FortiOS - Hardware Acceleration

Version 6.2.13

FORTINET DOCUMENT LIBRARY

<https://docs.fortinet.com>

FORTINET VIDEO GUIDE

<https://video.fortinet.com>

FORTINET BLOG

<https://blog.fortinet.com>

CUSTOMER SERVICE & SUPPORT

<https://support.fortinet.com>

FORTINET TRAINING & CERTIFICATION PROGRAM

<https://www.fortinet.com/training-certification>

FORTINET TRAINING INSTITUTE

<https://training.fortinet.com>

FORTIGUARD CENTER

<https://www.fortiguard.com>

END USER LICENSE AGREEMENT

<https://www.fortinet.com/doc/legal/EULA.pdf>

FEEDBACK

Email: techdoc@fortinet.com



February 23, 2023

FortiOS 6.2.13 Hardware Acceleration

01-6213-538746-20230223

TABLE OF CONTENTS

Change log	8
Hardware acceleration	9
Whats new	10
What's new in FortiOS 6.2.13	10
What's new in FortiOS 6.2.12	10
Security processors (SPs)	11
SP processing flow	11
Displaying information about security processing modules	12
Content processors (CP9, CP9XLite, CP9Lite)	14
CP9, CP9XLite, and CP9Lite capabilities	14
CP8 capabilities	15
CP6 capabilities	15
CP5 capabilities	16
CP4 capabilities	16
Determining the content processor in your FortiGate unit	16
Viewing SSL acceleration status	16
Network processors (NP6, NP6XLite, NP6Lite, and NP4)	18
Accelerated sessions on FortiView All Sessions page	19
NP session offloading in HA active-active configuration	19
Configuring NP HMAC check offloading	19
Software switch interfaces and NP processors	19
Disabling NP offloading for firewall policies	20
Disabling NP offloading for individual IPsec VPN phase 1s	20
Disabling NP offloading for unsupported IPsec encryption or authentication algorithms	20
NP acceleration, virtual clustering, and VLAN MAC addresses	21
Determining the network processors installed in your FortiGate	21
NP hardware acceleration alters packet flow	22
NP6, NP6XLite, and NP6Lite traffic logging and monitoring	23
sFlow and NetFlow and hardware acceleration	23
Checking that traffic is offloaded by NP processors	23
Using the packet sniffer	23
Checking the firewall session offload tag	24
Verifying IPsec VPN traffic offloading	24
Dedicated management CPU	25
Preventing packet ordering problems	26
Strict protocol header checking disables hardware acceleration	27
NTurbo and IPSA	28
NTurbo offloads flow-based processing	28
Disabling nTurbo for firewall policies	29
IPSA offloads flow-based pattern matching	29

NP6, NP6XLite, and NP6Lite acceleration	31
NP6 session fast path requirements	32
Packet fast path requirements	33
Mixing fast path and non-fast path traffic	33
NP6XLite processors	33
NP6Lite processors	34
NP6 processors and traffic shaping	35
NP Direct	35
Viewing your FortiGate NP6, NP6XLite, or NP6Lite processor configuration	35
Disabling NP6, NP6XLite, and NP6Lite hardware acceleration (fastpath)	37
FortiGate models with NP6XLite processors	38
Using a diagnose command to disable hardware acceleration	38
Optimizing NP6 performance by distributing traffic to XAUI links	38
Example: FortiGate 3200D	39
Example FortiGate 3300E	40
Enabling bandwidth control between the ISF and NP6 XAUI ports to reduce the number of dropped egress packets	41
Increasing NP6 offloading capacity using link aggregation groups (LAGs)	42
NP6 processors and redundant interfaces	42
Improving LAG performance on some FortiGate models	43
Eliminating dropped packets on LAG interfaces	43
Configuring inter-VDOM link acceleration with NP6 processors	44
Using VLANs to add more accelerated inter-VDOM link interfaces	45
Confirm that the traffic is accelerated	46
IPv6 IPsec VPN over NPU VDOM links	47
Disabling offloading IPsec Diffie-Hellman key exchange	47
Supporting IPsec anti-replay protection	47
Access control lists (ACLs)	48
NP6 HPE host protection engine	49
NP6 HPE packet flow and host queues	50
NP6 HPE configuration options	52
NP6 HPE and high priority traffic	54
Adjusting NP6 HPE BGP, SLBC, and BFD priorities	54
Monitoring NP6 HPE activity	55
Displaying NP6 HPE configuration and status information	56
Configuring individual NP6 processors	57
config hpe	59
config fp-anomaly	59
Per-session accounting for offloaded NP6, NP6XLite, and NP6Lite sessions	61
Multicast per-session accounting	63
Configuring NP6 session timeouts	63
Configure the number of IPsec engines NP6 processors use	64
Stripping clear text padding and IPsec session ESP padding	64
Disabling NP6 and NP6XLite CAPWAP offloading	65
Optionally disable NP6 offloading of traffic passing between 10Gbps and 1Gbps interfaces	65

Offloading RDP traffic	65
NP6 session drift	66
Optimizing FortiGate 3960E and 3980E IPsec VPN performance	67
FortiGate 3960E and 3980E support for high throughput traffic streams	67
Recalculating packet checksums if the iph.reserved bit is set to 0	68
NP6 IPsec engine status monitoring	69
Interface to CPU mapping	70
Allowing offloaded IPsec packets that exceed the interface MTU	70
Configuring the QoS mode for NP6-accelerated traffic	70
Recovering from an internal link failure	71
Offloading UDP-encapsulated ESP traffic	71
NP6 get and diagnose commands	72
get hardware npu np6	72
diagnose npu np6	72
diagnose npu np6 npu-feature (verify enabled NP6 features)	73
diagnose npu np6xlite npu-feature (verify enabled NP6Lite features)	74
diagnose npu np6lite npu-feature (verify enabled NP6Lite features)	75
diagnose sys session/session6 list (view offloaded sessions)	76
diagnose sys session list no_ofld_reason field	79
diagnose npu np6 session-stats <np6-id> (number of NP6 IPv4 and IPv6 sessions) ...	80
diagnose npu np6 ipsec-stats (NP6 IPsec statistics)	81
diagnose npu np6 sse-stats <np6-id> (number of NP6 sessions and dropped sessions)	82
diagnose npu np6 dce <np6-id> (number of dropped NP6 packets)	82
diagnose hardware deviceinfo nic <interface-name> (number of packets dropped by an interface)	82
diagnose npu np6 synproxy-stats (NP6 SYN-proxied sessions and unacknowledged SYNs)	83
FortiGate NP6 architectures	84
FortiGate 300D fast path architecture	84
FortiGate 300E and 301E fast path architecture	85
FortiGate 400D fast path architecture	86
FortiGate 400E and 401E fast path architecture	87
FortiGate 400E Bypass fast path architecture	89
Bypass interfaces	90
Configuring bypass settings	91
Creating a virtual wire bypass pair	91
FortiGate 500D fast path architecture	92
FortiGate 500E and 501E fast path architecture	93
FortiGate 600D fast path architecture	94
FortiGate 600E and 601E fast path architecture	95
FortiGate 800D fast path architecture	96
Bypass interfaces (WAN1/1 and WAN2/2)	98
Manually enabling bypass mode	98
Configuring bypass settings	98
FortiGate 900D fast path architecture	99

FortiGate 1000D fast path architecture	100
FortiGate 1100E and 1101E fast path architecture	102
Interface groups and changing data interface speeds	104
FortiGate 1200D fast path architecture	104
Improving FortiGate 1200D connections per second performance	106
FortiGate 1500D fast path architecture	106
Improving FortiGate 1500D connections per second performance	108
FortiGate 1500DT fast path architecture	108
Improving FortiGate 1500DT connections per second performance	110
FortiGate 2000E fast path architecture	110
FortiGate 2200E and 2201E fast path architecture	112
Interface groups and changing data interface speeds	114
FortiGate 2500E fast path architecture	115
Bypass interfaces (port43 and port44)	117
Manually enabling bypass-mode	118
Configuring bypass settings	118
FortiGate 3000D fast path architecture	118
FortiGate 3100D fast path architecture	120
FortiGate 3200D fast path architecture	121
FortiGate 3300E and 3301E fast path architecture	123
Interface groups and changing data interface speeds	125
FortiGate 3400E and 3401E fast path architecture	126
Interface groups and changing data interface speeds	128
FortiGate 3600E and 3601E fast path architecture	129
Interface groups and changing data interface speeds	130
FortiGate 3700D fast path architecture	131
FortiGate 3700D low latency fast path architecture	131
FortiGate 3700D normal latency fast path architecture	133
FortiGate 3800D fast path architecture	135
FortiGate 3810D fast path architecture	137
FortiGate 3815D fast path architecture	139
FortiGate 3960E fast path architecture	140
FortiGate 3980E fast path architecture	142
FortiGate-5001D fast path architecture	144
NP6 default interface mapping	145
NP6 interface mapping with split ports	146
FortiGate-5001E and 5001E1 fast path architecture	146
Splitting front panel interfaces	149
FortiController-5902D fast path architecture	149
NP6 content clustering mode interface mapping	150
NP6 default interface mapping	151
FortiGate NP6XLite architectures	152
FortiGate 60F and 61F fast path architecture	152
FortiGate 80F, 81F, and 80F Bypass fast path architecture	153
Bypass interfaces (WAN1 and 1)	155
Manually enabling bypass mode	155

Configuring bypass settings	156
FortiGate 100F and 101F fast path architecture	156
FortiGate 200F and 201F fast path architecture	158
FortiGate NP6Lite architectures	160
FortiGate 100E and 101E fast path architecture	160
FortiGate 200E and 201E fast path architecture	161

Change log

Date	Change description
February 23, 2023	FortiOS 6.2.13 document release.
January 4, 2023	Corrected information about NTurbo support and interface policies, see NTurbo offloads flow-based processing on page 28 .
November 3, 2022	FortiOS 6.2.12 document release. Corrections to FortiGate-5001E and 5001E1 fast path architecture on page 146 .

Hardware acceleration

Most FortiGate models have specialized acceleration hardware, (called Security Processing Units (SPUs)) that can offload resource intensive processing from main processing (CPU) resources. Most FortiGate units include specialized content processors (CPs) that accelerate a wide range of important security processes such as virus scanning, attack detection, encryption and decryption. (Only selected entry-level FortiGate models do not include a CP processor.) Many FortiGate models also contain security processors (SPs) that accelerate processing for specific security features such as IPS and network processors (NPs) that offload processing of high volume network traffic.

This document describes the Security Processing Unit (SPU) hardware that Fortinet builds into FortiGate devices to accelerate traffic through FortiGate units. Three types of SPUs are described:

- Content processors (CPs) that accelerate a wide range of security functions
- Security processors (SPs) that accelerate specific security functions
- Network processors (NPs and NPLites) that offload network traffic to specialized hardware that is optimized to provide high levels of network throughput.

Whats new

This section describes new hardware acceleration features for FortiOS 6.2 releases.

What's new in FortiOS 6.2.13

FortiOS 6.2.13 includes the resolved issues described in the [FortiOS 6.2.13 Release Notes](#).

What's new in FortiOS 6.2.12

FortiOS 6.2.12 includes the resolved issues described in the [FortiOS 6.2.12 Release Notes](#).

Security processors (SPs)

FortiGate Security Processing (SP) modules, such as the SP3 but also including the XLP, XG2, XE2, FE8, and CE4, work at both the interface and system level to increase overall system performance by accelerating specialized security processing. You can configure the SP to favor IPS over firewall processing in hostile high-traffic environments.

SP processors include their own IPS engine which is similar to the FortiOS IPS engine but with the following limitations:

- The SP IPS engine does not support SSL deep inspection. When you have SSL deep inspection enabled for a security policy that includes flow-based inspection or IPS, offloading to the SP is disabled and traffic is processed by the FortiGate CPU and CP processors.
- The SP IPS engine does not support FortiGuard Web Filtering. When you enable flow-based FortiGuard Web Filtering on a FortiGate unit with an SP processor, the SP processor cannot perform FortiGuard lookups and web pages fail to load.

The following security processors are available:

- The SP3 (XLP) is built into the FortiGate 5101B and provides IPS acceleration. No special configuration is required. All IPS processing, including traffic accepted by IPv4 and IPv6 traffic policies and IPv4 and IPv6 DoS policies is accelerated by the built-in SP3 processors.
- The FMC-XG2 is an FMC module with two 10Gb/s SFP+ interfaces that can be used on FortiGate 3950B and FortiGate 3951B units.
- The FortiGate 3140B also contains a built-in XG2 using ports 19 and 20.
- The ADM-XE2 is a dual-width AMC module with two 10Gb/s interfaces that can be used on FortiGate 3810A and FortiGate 5001A-DW systems.
- The ADM-FE8 is a dual-width AMC module with eight 1Gb/s interfaces that can be used with the FortiGate 3810A.
- The ASM-CE4 is a single-width AMC module with four 10/100/1000 Mb/s interfaces that can be used on FortiGate 3016B and FortiGate 3810A units.



Traffic is blocked if you enable IPS for traffic passing over inter-VDOM links if that traffic is being offloaded by an SP processor. If you disable SP offloading, traffic will be allowed to flow. You can disable offloading in individual firewall policies by disabling `auto-asic-offload` for those policies. You can also use the following command to disable all IPS offloading:

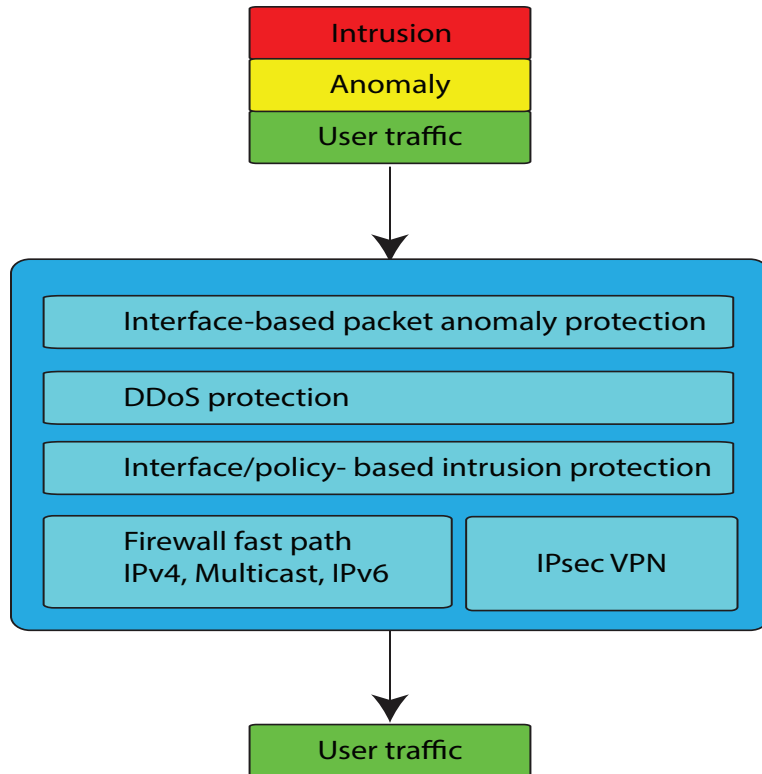
```
config ips global
    set np-accel-mode none
    set cp-accel-mode none
end
```

SP processing flow

SP processors provide an integrated high performance fast path multilayer solution for both intrusion protection and firewall functions. The multilayered protection starts from anomaly checking at packet level to ensure each packet is sound and reasonable. Immediately after that, a sophisticated set of interface based packet anomaly protection, DDoS protection, policy based intrusion protection, firewall fast path, and behavior based methods are employed to prevent DDoS attacks from the rest of system.

Then the packets enter an interface/policy based intrusion protection system, where each packet is evaluated against a set of signatures. The end result is streams of user packets that are free of anomaly and attacks, entering the fast path system for unicast or multicast fast path forwarding.

SP processing flow



Displaying information about security processing modules

You can display information about installed SP modules using the CLI command

```
diagnose npu spm
```

For example, for the FortiGate-5101C:

```
FG-5101C # diagnose npu spm list
Available SP Modules:

ID Model      Slot      Interface
0 xh0        built-in  port1, port2, port3, port4,
                                     base1, base2, fabric1, fabric2
                                     eth10, eth11, eth12, eth13
                                     eth14, eth15, eth16, eth17
                                     eth18, eth19
```

You can also use this command to get more info about SP processing. This example shows how to display details about how the module is processing sessions using the syn proxy.

```
diagnose npu spm dos synproxy <sp_id>
```

This is a partial output of the command:

```
Number of proxied TCP connections : 0
Number of working proxied TCP connections : 0
Number of retired TCP connections : 0
Number of valid TCP connections : 0
Number of attacks, no ACK from client : 0
Number of no SYN-ACK from server : 0
Number of reset by server (service not supported): 0
Number of established session timeout : 0
Client timeout setting : 3 Seconds
Server timeout setting : 3 Seconds
```

Content processors (CP9, CP9XLite, CP9Lite)

Most FortiGate models contain CP9 Security Processing Unit (SPU) Content Processors (CPs) that accelerate many common resource intensive security related processes. CP9s work at the system level with tasks being offloaded to them as determined by the main CPU. Current FortiGate units include CP9, CP9Lite, and CP9XLite processors. Capabilities of the CPs vary by model. Older CP versions include the CP4, CP5, CP6, and CP8.

CP9, CP9XLite, and CP9Lite capabilities

CP9, CP9XLite (found in SOC4), and CP9Lite (found in SOC3) content processors support mostly the same features, with a few exceptions noted below. The main difference between the processors is their capacity and throughput. For example, the CP9 has sixteen IPsec VPN engines while the CP9XLite has five and the CP9Lite has one. As a result, the CP9 can accelerate many more IPsec VPN sessions than the lite versions.

The CP9 content processor provides the following services:



FortiOS may not support all of the CP9 services listed below. For example, IPsec VPNs may not support some less commonly used proposals; such as AES-GMAC. For any FortiOS function, you can check the options available from the CLI to see the features that are supported. For example, when configuring an IPsec VPN phase one, you can use the CLI help with the `set proposal` option to see the list of supported proposals.

- Flow-based inspection (IPS and application control) pattern matching acceleration with over 10Gbps throughput
 - IPS pre-scan/pre-match offload
 - IPS signature correlation offload
 - Full match offload (CP9 only)
 - High throughput DFA-based deep packet inspection
- High performance VPN bulk data engine
 - IPsec and SSL/TLS protocol processor
 - DES/3DES/AES128/192/256 in accordance with FIPS46-3/FIPS81/FIPS197
 - MD5/SHA-1/SHA256/384/512-96/128/192/256 with RFC1321 and FIPS180
 - M S/KM Generation (Hash) (CP9 only)
 - HMAC in accordance with RFC2104/2403/2404 and FIPS198
 - ESN mode
 - GCM support for NSA "Suite B" (RFC6379/RFC6460) including GCM-128/256; GMAC-128/256
- Key exchange processor that supports high performance IKE and RSA computation
 - Public key exponentiation engine with hardware CRT support
 - Primary checking for RSA key generation
 - Handshake accelerator with automatic key material generation
 - Ring OSC entropy source
 - Elliptic curve cryptography ECC (P-256) support for NSA "Suite B" (CP9 only)
 - Sub public key engine (PKCE) to support up to 4096 bit operation directly (4k for DH and 8k for RSA with CRT)

- DLP fingerprint support
 - Configurable Two-Thresholds-Two-Divisors (TTTD) content chunking

CP8 capabilities

The CP8 content processor provides the following services:

- Flow-based inspection (IPS, application control etc.) pattern matching acceleration
- High performance VPN bulk data engine
 - IPsec and SSL/TLS protocol processor
 - DES/3DES/AES in accordance with FIPS46-3/FIPS81/FIPS197
 - ARC4 in compliance with RC4
 - MD5/SHA-1/SHA256 with RFC1321 and FIPS180
 - HMAC in accordance with RFC2104/2403/2404 and FIPS198
 - Key Exchange Processor support high performance IKE and RSA computation
 - Public key exponentiation engine with hardware CRT support
 - Primarily checking for RSA key generation
 - Handshake accelerator with automatic key material generation
 - Random Number generator compliance with ANSI X9.31
 - Sub public key engine (PKCE) supports up to DH 2048 bit (group 14)
- Message authentication module offers high performance cryptographic engine for calculating SHA256/SHA1/MD5 of data up to 4G bytes (used by many applications)
- PCI express Gen 2 four lanes interface
- Cascade Interface for chip expansion

CP6 capabilities

- Dual content processors
- FIPS-compliant DES/3DES/AES encryption and decryption
- SHA-1 and MD5 HMAC with RFC1321 and FIPS180
- HMAC in accordance with RFC2104/2403/2404 and FIPS198
- IPsec protocol processor
- High performance IPsec engine
- Random Number generator compliance with ANSI X9.31
- Key exchange processor for high performance IKE and RSA computation
- Script Processor
- SSL/TLS protocol processor for SSL content scanning and SSL acceleration

CP5 capabilities

- FIPS-compliant DES/3DES/AES encryption and decryption
- SHA-1 and MD5 HMAC with RFC1321/2104/2403/2404 and FIPS180/FIPS198
- IPsec protocol processor
- High performance IPsec Engine
- Random Number generator compliant with ANSI X9.31
- Public Key Crypto Engine supports high performance IKE and RSA computation
- Script Processor

CP4 capabilities

- FIPS-compliant DES/3DES/AES encryption and decryption
- SHA-1 and MD5 HMAC
- IPsec protocol processor
- Random Number generator
- Public Key Crypto Engine
- Content processing engine
- ANSI X9.31 and PKCS#1 certificate support

Determining the content processor in your FortiGate unit

Use the `get hardware status` CLI command to determine which content processor your FortiGate unit contains. The output looks like this:

```
get hardware status
Model name: FortiGate-100D
ASIC version: CP8
ASIC SRAM: 64M
CPU: Intel(R) Atom(TM) CPU D525 @ 1.80GHz
Number of CPUs: 4
RAM: 1977 MB
Compact Flash: 15331 MB /dev/sda
Hard disk: 15272 MB /dev/sda
USB Flash: not available
Network Card chipset: Intel(R) PRO/1000 Network Connection (rev.0000)
Network Card chipset: bcm-sw Ethernet driver 1.0 (rev.)
```

The ASIC version line lists the content processor model number.

Viewing SSL acceleration status

You can view the status of SSL acceleration using the following command:


```
get vpn status ssl hw-acceleration-status  
Acceleration hardware detected: kxp=on cipher=on
```

Where kxp means key exchange acceleration.

Network processors (NP6, NP6XLite, NP6Lite, and NP4)

FortiASIC network processors work at the interface level to accelerate traffic by offloading traffic from the main CPU. Current models contain NP6, NP6XLite, and NP6Lite network processors. Older FortiGate models include NP1 network processors (also known as FortiAccel, or FA2), NP2, NP4, and NP4Lite network processors.

The traffic that can be offloaded, maximum throughput, and number of network interfaces supported by each varies by processor model:

- NP6 supports offloading of most IPv4 and IPv6 traffic, IPsec VPN encryption, CAPWAP traffic, and multicast traffic. The NP6 has a maximum throughput of 40 Gbps using 4 x 10 Gbps XAUI or Quad Serial Gigabit Media Independent Interface (QSGMII) interfaces or 3 x 10 Gbps and 16 x 1 Gbps XAUI or QSGMII interfaces. For details about the NP6 processor, see [NP6, NP6XLite, and NP6Lite acceleration on page 31](#) and for information about FortiGate models with NP6 processors, see [FortiGate NP6 architectures on page 84](#).
- NP6XLite is a component of the Fortinet SOC4 and supports the same features as the NP6 but with slightly lower throughput. The NP6XLite also includes new features and improvements, such as the ability to offload AES128-GCM and AES256-GCM encryption for IPsec VPN traffic. The NP6XLite has a maximum throughput of 36 Gbps using 4x KR/USXGMII/QSGMII and 2x(1x) Reduced gigabit media-independent interface (RGMII) interfaces. For details about the NP6XLite processor, see [NP6XLite processors on page 33](#) and for information about FortiGate models with NP6XLite processors, see [FortiGate NP6XLite architectures on page 152](#).
- The NP6Lite is a component of the Fortinet SOC3 and is similar to the NP6 but with a lower throughput and some functional limitations (for example, the NP6Lite does not offload CAPWAP traffic). The NP6Lite has a maximum throughput of 10 Gbps using 2x QSGMII and 2x RGMII interfaces. For details about the NP6Lite processor, see [NP6Lite processors on page 34](#) and for information about FortiGate models with NP6 processors, see [FortiGate NP6Lite architectures on page 160](#).
- NP4 supports offloading of most IPv4 firewall traffic and IPsec VPN encryption. The NP4 has a capacity of 20 Gbps through 2 x 10 Gbps interfaces. For details about NP4 processors, see and for information about FortiGate models with NP4 processors, see .
- NP4lite is similar to the NP4 but with a lower throughput (but with about half the performance)and some functional limitations.
- NP2 supports IPv4 firewall and IPsec VPN acceleration. The NP2 has a capacity of 2 Gbps through 2 x 10 Gbps interfaces or 4 x 1 Gbps interfaces.
- NP1 supports IPv4 firewall and IPsec VPN acceleration with 2 Gbps capacity. The NP1 has a capacity of 2 Gbps through 2 x 1 Gbps interfaces.
 - The NP1 does not support frames greater than 1500 bytes. If your network uses jumbo frames, you may need to adjust the MTU (Maximum Transmission Unit) of devices connected to NP1 ports. Maximum frame size for NP2, NP4, and NP6 processors is 9216 bytes.
 - For both NP1 and NP2 network processors, ports attached to a network processor cannot be used for firmware installation by TFTP.



Sessions that require proxy-based security features are not fast pathed and must be processed by the CPU. Sessions that require flow-based security features can be offloaded to NPx network processors if the FortiGate supports NTurbo.

Accelerated sessions on FortiView All Sessions page

When viewing sessions in the FortiView All Sessions console, NP4/NP6 accelerated sessions are highlighted with an NP4, or NP6 icon. The tooltip for the icon includes the NP processor type and the total number of accelerated sessions.

You can also configure filtering to display FortiASIC sessions.

NP session offloading in HA active-active configuration

Network processors can improve network performance in active-active (load balancing) high availability (HA) configurations, even though traffic deviates from general offloading patterns, involving more than one network processor, each in a separate FortiGate unit. No additional offloading requirements apply.

Once the primary FortiGate unit's main processing resources send a session key to its network processor(s), network processor(s) on the primary unit can redirect any subsequent session traffic to other cluster members, reducing traffic redirection load on the primary unit's main processing resources.

As subordinate units receive redirected traffic, each network processor in the cluster assesses and processes session offloading independently from the primary unit. Session key states of each network processor are not part of synchronization traffic between HA members.

Configuring NP HMAC check offloading

Hash-based Message Authentication Code (HMAC) checks offloaded to network processors by default. You can enter the following command to disable this feature:

```
configure system global
  set ipsec-hmac-offload disable
end
```

Software switch interfaces and NP processors

FortiOS supports creating a software switch by grouping two or more FortiGate physical interfaces into a single virtual or software switch interface. All of the interfaces in this virtual switch act like interfaces in a hardware switch in that they all have the same IP address and can be connected to the same network. You create a software switch interface from the CLI using the command `config system switch-interface`.

The software switch is a bridge group of several interfaces, and the FortiGate CPU maintains the mac-port table for this bridge. As a result of this CPU involvement, traffic processed by a software switch interface is not offloaded to network processors.

Disabling NP offloading for firewall policies

Use the following options to disable NP offloading for specific security policies:

For IPv4 security policies.

```
config firewall policy
  edit 1
    set auto-asic-offload disable
  end
```

For IPv6 security policies.

```
config firewall policy6
  edit 1
    set auto-asic-offload disable
  end
```

For multicast security policies.

```
config firewall multicast-policy
  edit 1
    set auto-asic-offload disable
  end
```

Disabling NP offloading for individual IPsec VPN phase 1s

Use the following command to disable NP offloading for an interface-based IPsec VPN phase 1:

```
config vpn ipsec phasel-interface
  edit phase-1-name
    set npu-offload disable
  end
```

Use the following command to disable NP offloading for a policy-based IPsec VPN phase 1:

```
config vpn ipsec phasel
  edit phase-1-name
    set npu-offload disable
  end
```

The `npu-offload` option is enabled by default.

Disabling NP offloading for unsupported IPsec encryption or authentication algorithms

In general, more recent IPsec VPN encryption and authentication algorithms may not be supported by older NP processors. For example, NP4 network processors do not support SHA-256, SHA-384, and SHA-512. IPsec traffic with unsupported algorithms is not offloaded and instead is processed by the FortiGate CPU. In addition, this configuration may cause packet loss and other performance issues. If you experience packet loss or performance problems you

should set the `npu-offload` option to `disable`. Future FortiOS versions should prevent selecting algorithms not supported by the hardware.

NP acceleration, virtual clustering, and VLAN MAC addresses

In some configurations, when a FortiGate with NP6 processors is operating with virtual clustering enabled, traffic cannot be offloaded by the NP6 processors if the MAC address of the VLAN interface accepting the traffic is different from the MAC address of the physical interface that the VLAN interface has been added to. If you are running a configuration like this, traffic from the VLAN interface can be dropped by the NP6 processors. If you notice traffic being dropped, you can disable NP offloading in the firewall policy that accepts the traffic to resolve the issue.

NP6 offloading can still work in some network configurations when a VLAN and its physical interface have different MAC addresses. For example, offloading can still work as long as other network devices learn the FortiGate's MAC addresses from ARP. As well, offloading can work if the reply traffic destination MAC is the same as the MAC of the underlying interface.

Determining the network processors installed in your FortiGate

Use either of the following command to list the NP6 processors in your FortiGate unit:

```
get hardware npu np6 port-list
diagnose npu np6 port-list
```

Use the following command to list the NP6XLite processors in your FortiGate unit:

```
get hardware npu np6xlite port-list
```

Use either of the following commands to list the NP6Lite processors in your FortiGate unit:

```
get hardware npu np6lite port-list
diagnose npu np6lite port-list
```

To list other network processors on your FortiGate unit, use the following CLI command.

```
get hardware npu <model> list
```

<model> can be `legacy`, `np1`, `np2` or `np4`.

The output lists the interfaces that have the specified processor. For example, for a FortiGate-5001B:

```
get hardware npu np4 list
ID      Model      Slot      Interface
0       On-board   0         port1 port2 port3 port4
        fabric1 base1 npu0-vlink0 npu0-vlink1
1       On-board   1         port5 port6 port7 port8
        fabric2 base2 npu1-vlink0 npu1-vlink1
```

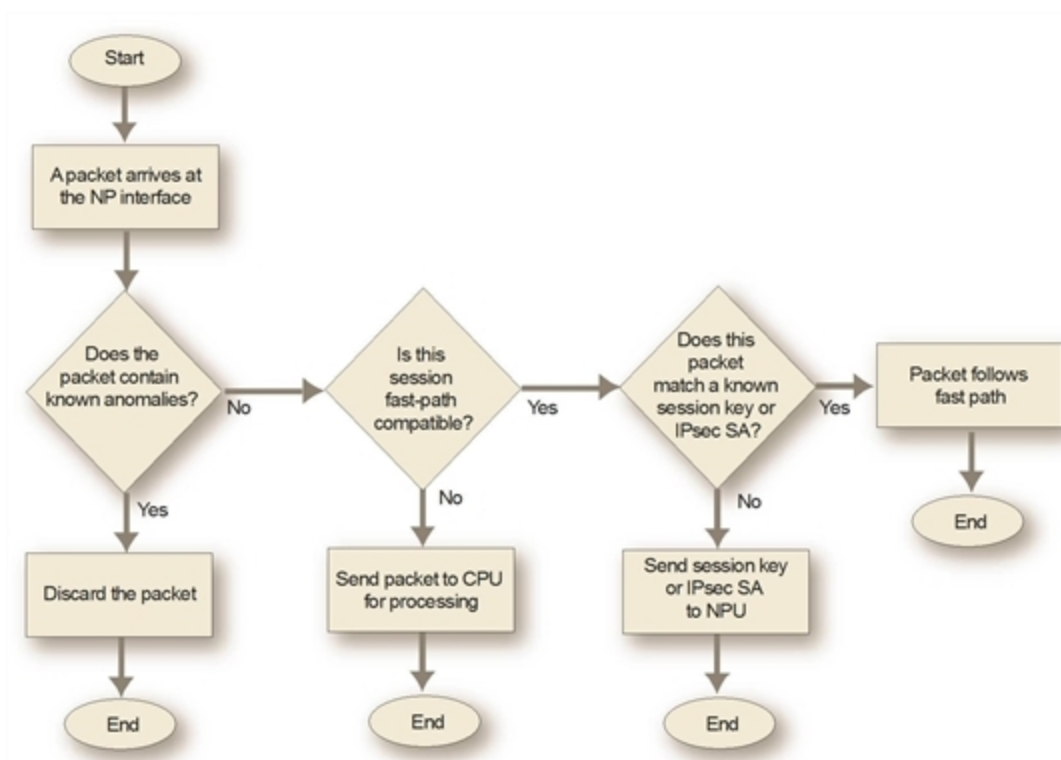
The `npu0-vlink0`, `npu1-vlink1` etc interfaces are used for accelerating inter-VDOM links.

NP hardware acceleration alters packet flow

NP hardware acceleration generally alters packet flow as follows:

1. Packets initiating a session pass to the FortiGate unit's main processing resources (CPU).
2. The FortiGate unit assesses whether the session matches fast path (offload) requirements. To be suitable for offloading, traffic must possess only characteristics that can be processed by the fast path. The list of requirements depends on the processor, see [NP6 session fast path requirements on page 32](#). If the session can be fast pathed, the FortiGate unit sends the session key or IPsec security association (SA) and configured firewall processing action to the appropriate network processor.
3. Network processors continuously match packets arriving on their attached ports against the session keys and SAs they have received.
 - If a network processor's network interface is configured to perform hardware accelerated anomaly checks, the network processor drops or accepts packets that match the configured anomaly patterns. These checks are separate from and in advance of anomaly checks performed by IPS, which is not compatible with network processor offloading. See .
 - The network processor next checks for a matching session key or SA. If a matching session key or SA is found, and if the packet meets packet requirements, the network processor processes the packet according to the configured action and then sends the resulting packet. This is the actual offloading step. Performing this processing on the NP processor improves overall performance because the NP processor is optimized for this task. As well, overall FortiGate performance is improved because the CPU has fewer sessions to process.

NP network processor packet flow



- If a matching session key or SA is not found, or if the packet does not meet packet requirements, the packet cannot be offloaded. The network processor sends the data to the FortiGate unit's CPU, which processes the packet.

Encryption and decryption of IPsec traffic originating from the FortiGate can utilize network processor encryption capabilities.

Packet forwarding rates vary by the percentage of offloadable processing and the type of network processing required by your configuration, but are independent of frame size. For optimal traffic types, network throughput can equal wire speed.

NP6, NP6XLite, and NP6Lite traffic logging and monitoring

NP6, NP6XLite, and NP6Lite processors support per-session traffic and byte counters, Ethernet MIB matching, and reporting through messages resulting in traffic statistics and traffic log reporting.

- For information about NP6, NP6XLite, and NP6Lite per-session accounting, see [Per-session accounting for offloaded NP6, NP6XLite, and NP6Lite sessions on page 61](#).

sFlow and NetFlow and hardware acceleration

NP6, NP6XLite, and NP6Lite offloading is supported when you configure NetFlow for interfaces connected to NP6, NP6XLite, or NP6Lite processors. Offloading of other sessions is not affected by configuring NetFlow. Full NetFlow is supported through the information maintained in the firewall session.

Configuring sFlow on any interface disables all NP6, NP6XLite, or NP6Lite offloading for all traffic on that interface.

Checking that traffic is offloaded by NP processors

A number of diagnose commands can be used to verify that traffic is being offloaded.

Using the packet sniffer

Use the packet sniffer to verify that traffic is offloaded. Offloaded traffic is not picked up by the packet sniffer so if you are sending traffic through the FortiGate unit and it is not showing up on the packet sniffer you can conclude that it is offloaded.

```
diagnose sniffer packet port1 <option>
```



If you want the packet sniffer to be able to see offloaded traffic you can temporarily disable offloading the traffic, run the packet sniffer to view it and then re-enable offloading. As an example, you may want to sniff the traffic that is accepted by a specific firewall policy. You can edit the policy and set the `auto-asic-offload` option to `disable` to disable offloading this traffic. You can also disable offloading for IPsec VPN traffic, see [Network processors \(NP6, NP6XLite, NP6Lite, and NP4\)](#) on page 18.

FortiGates with NP7 processors include an NP7 packet sniffer that you can use for offloaded traffic, see.

Checking the firewall session offload tag

Use the `diagnose sys session list` command to display sessions. If the output for a session includes the `npu info` field you should see information about session being offloaded. If the output doesn't contain an `npu info` field then the session has not been offloaded.

```
diagnose sys session list
session info: proto=6 proto_state=01 duration=34 expire=3565 timeout=3600 flags=00000000
             sockflag=00000000 sockport=0 av_idx=0 use=3
origin-shaper=
reply-shaper=
per_ip_shaper=
ha_id=0 policy_dir=0 tunnel=/
state=may_dirty npu
statistic(bytes/packets/allow_err): org=295/3/1 reply=60/1/1 tuples=2
origin->sink: org pre->post, reply pre->post dev=48->6/6->48 gwy=10.1.100.11/11.11.11.1
hook=pre dir=org act=noop 172.16.200.55:56453->10.1.100.11:80(0.0.0.0:0)
hook=post dir=reply act=noop 10.1.100.11:80->172.16.200.55:56453(0.0.0.0:0)
pos/(before,after) 0/(0,0), 0/(0,0)
misc=0 policy_id=1 id_policy_id=0 auth_info=0 chk_client_info=0 vd=4
serial=0000091c tos=ff/ff ips_view=0 app_list=0 app=0
dd_type=0 dd_mode=0
per_ip_bandwidth meter: addr=172.16.200.55, bps=393
npu_state=00000000
npu info: flag=0x81/0x81, offload=4/4, ips_offload=0/0, epid=1/23, ipid=23/1,
vlan=32779/0
```

Verifying IPsec VPN traffic offloading

The following commands can be used to verify IPsec VPN traffic offloading to NP processors.

```
diagnose vpn ipsec status
NP1/NP2/NP4_0/sp_0_0:
  null: 0 0
  des: 0 0
  3des: 4075 4074
  aes: 0 0
  aria: 0 0
  seed: 0 0
  null: 0 0
  md5: 4075 4074
  sha1: 0 0
  sha256: 0 0
```



```

sha384: 0 0
sha512: 0 0
diagnose vpn tunnel list
list all ipsec tunnel in vd 3
-----
name=p1-vdom1 ver=1 serial=5 11.11.11.1:0->11.11.11.2:0 lgwy=static tun=tunnel mode=auto
bound_if=47
proxyid_num=1 child_num=0 refcnt=8 ilast=2 olast=2
stat: rxp=3076 txp=1667 rxb=4299623276 txb=66323
dpd: mode=active on=1 idle=5000ms retry=3 count=0 seqno=20
natt: mode=none draft=0 interval=0 remote_port=0
proxyid=p2-vdom1 proto=0 sa=1 ref=2 auto_negotiate=0 serial=1
src: 0:0.0.0.0/0.0.0.0:0
dst: 0:0.0.0.0/0.0.0.0:0
SA: ref=6 options=0000000e type=00 soft=0 mtu=1436 expire=1736 replaywin=2048 seqno=680
life: type=01 bytes=0/0 timeout=1748/1800
dec: spi=ae01010c esp=3des key=24 18e021bcace225347459189f292fbc2e4677563b07498a07
ah=md5 key=16 b4f44368741632b4e33e5f5b794253d3
enc: spi=ae01010d esp=3des key=24 42c94a8a2f72a44f9a3777f8e6aa3b24160b8af15f54a573
ah=md5 key=16 6214155f76b63a93345dcc9ec02d6415
dec:pkts/bytes=3073/4299621477, enc:pkts/bytes=1667/66375
  npu_flag=03 npu_rgwy=11.11.11.2 npu_lgwy=11.11.11.1 npu_selid=4
diagnose sys session list
session info: proto=6 proto_state=01 duration=34 expire=3565 timeout=3600 flags=00000000
  sockflag=00000000 sockport=0 av_idx=0 use=3
origin-shaper=
reply-shaper=
per_ip_shaper=
ha_id=0 policy_dir=0 tunnel=/p1-vdom2
state=re may_dirty npu
statistic(bytes/packets/allow_err): org=112/2/1 reply=112/2/1 tuples=2
orgin->sink: org pre->post, reply pre->post dev=57->7/7->57 gwy=10.1.100.11/11.11.11.1
hook=pre dir=org act=noop 172.16.200.55:35254->10.1.100.11:80(0.0.0.0:0)
hook=post dir=reply act=noop 10.1.100.11:80->172.16.200.55:35254(0.0.0.0:0)
pos/(before,after) 0/(0,0), 0/(0,0)
misc=0 policy_id=1 id_policy_id=0 auth_info=0 chk_client_info=0 vd=4
serial=00002d29 tos=ff/ff ips_view=0 app_list=0 app=0
dd_type=0 dd_mode=0
per_ip_bandwidth meter: addr=172.16.200.55, bps=260
npu_state=00000000
npu info: flag=0x81/0x82, offload=7/7, ips_offload=0/0, epid=1/3, ipid=3/1, vlan=32779/0

```

Dedicated management CPU

The GUI and CLI of FortiGate units with NP6 processors may become unresponsive when the system is under heavy processing load because NP6 interrupts overload the CPUs preventing CPU cycles from being used for management tasks. You can resolve this issue by using the following command to dedicate CPU core 0 to management tasks.

```

config system npu
  set dedicated-management-cpu enable
end

```

All management tasks are then processed by CPU 0. NP6 interrupts that would normally be handed by CPU 0 are added to CPU 1, resulting in CPU 1 processes more interrupts. The `dedicated-management-cpu` option is disabled by default.

Preventing packet ordering problems

In some cases when FortiGate units with NP6, NP6XLite, or NP6Lite processors are under heavy load, the packets used in the TCP 3-way handshake of some sessions may be transmitted by the FortiGate in the wrong order resulting in the TCP sessions failing.

If you notice TCP sessions failing when a FortiGate with NP6, NP6XLite, or NP6ite processors is very busy you can enable `delay-tcp-npu-session` in the firewall policy receiving the traffic. This option resolves the problem by delaying the session to make sure that there is time for all of the handshake packets to reach the destination before the session begins transmitting data.

```
config firewall policy
    set delay-tcp-npu-session enable
end
```

Strict protocol header checking disables hardware acceleration

You can use the following command to cause the FortiGate to apply strict header checking to verify that a packet is part of a session that should be processed. Strict header checking includes verifying the layer-4 protocol header length, the IP header length, the IP version, the IP checksum, IP options, and verifying that ESP packets have the correct sequence number, SPI, and data length. If the packet fails header checking it is dropped by the FortiGate unit.

```
config system global
    set check-protocol-header strict
end
```

Enabling strict header checking disables all hardware acceleration. This includes NP, SP, and CP processing.

NTurbo and IPSA

You can use the following command to configure NTurbo and IPS Acceleration (IPSA) for firewall sessions that have flow-based security profiles. This includes firewall sessions with IPS, application control, CASI, flow-based antivirus, and flow-based web filtering.

```
config ips global
  set np-accel-mode {none | basic}
  set cp-accel-mode {none | basic | advanced}
end
```

`np-accel-mode` select the NTurbo mode.

`cp-accel-mode` select the IPSA mode.

NTurbo offloads flow-based processing

NTurbo offloads firewall sessions that include flow-based security profiles to NP7 or NP6 network processors. Without NTurbo, or with NTurbo disabled, all firewall sessions that include flow-based security profiles are processed by the FortiGate CPU. NTurbo can also offload DoS policy, access control list policy, and interface policy sessions. NTurbo can also offload IPsec sessions if the SA is offloadable (and it usually is).



NTurbo can only offload firewall sessions containing flow-based security profiles if the session could otherwise have been offloaded except for the presence of the flow-based security profiles. If something else prevents the session from being offloaded, NTurbo will not offload that session.



Firewall sessions that include proxy-based security profiles are never offloaded to network processors and are always processed by the FortiGate CPU.



NTurbo can offload DoS policy sessions (`config firewall DoS-policy` or `DoS-policy6`) and access control list policy sessions (`config firewall acl` or `acl6`). NTurbo can offload interface policy sessions (`config firewall interface-policy` or `interface-policy6`) as long as you don't enable any UTM features in the interface policy.

NTurbo creates a special data path to redirect traffic from the ingress interface to IPS, and from IPS to the egress interface. NTurbo allows firewall operations to be offloaded along this path, and still allows IPS to behave as a stage in the processing pipeline, reducing the workload on the FortiGate CPU and improving overall throughput.



NTurbo sessions still offload pattern matching and other processes to CP processors, just like normal flow-based sessions.

If NTurbo is supported by your FortiGate unit, you can use the following command to configure it:

```
config ips global
  set np-accel-mode {basic | none}
end
```

`basic` enables NTurbo and is the default setting for FortiGate models that support NTurbo. `none` disables NTurbo. If the `np-accel-mode` option is not available, then your FortiGate does not support NTurbo.

There are some special cases (listed below) where sessions may not be offloaded by NTurbo, even when NTurbo is explicitly enabled. In these cases, the sessions are handled by the FortiGate CPU.

- NP acceleration is disabled. For example, `auto-asic-offload` is disabled in the firewall policy configuration.
- The firewall policy includes proxy-based security profiles.
- The sessions require FortiOS session-helpers. For example, FTP sessions can not be offloaded to NP processors because FTP sessions use the FTP session helper.
- Tunneling is enabled. Any traffic to or from a tunneled interface (IPinIP, SSL VPN, GRE, CAPWAP, etc.) cannot be offloaded by NTurbo. (However, IPsec VPN sessions can be offloaded by NTurbo if the SA can be offloaded.)

Disabling nTurbo for firewall policies

If you want to disable nTurbo for test purposes or other reasons, you can do so in security policies. Here are some examples:

For IPv4 security policies.

```
config firewall policy
  edit 1
    set np-acceleration disable
  end
```

For IPv6 security policies.

```
config firewall policy6
  edit 1
    set np-acceleration disable
  end
```

For multicast security policies.

```
config firewall multicast-policy
  edit 1
    set np-acceleration disable
  end
```

IPSA offloads flow-based pattern matching

IPS Acceleration (IPSA) offloads enhanced pattern matching operations required for flow-based content processing to CP8 and CP9 Content Processors. IPSA offloads enhanced pattern matching for NTurbo firewall sessions and firewall sessions that are not offloaded to NP processors. When IPSA is turned on, flow-based pattern databases are compiled and downloaded to the content processors. Flow-based pattern matching requests are redirected to the CP hardware, reducing the load on the FortiGate CPU and accelerating pattern matching.

IF IPSA is supported on your FortiGate, you can use the following command to configure it:

```
config ips global
  set cp-accel-mode {advanced | basic | none}
end
```

`basic` offloads basic pattern matching.

`advanced` offloads more types of pattern matching resulting in higher throughput than basic mode. `advanced` is only available on FortiGate models with two or more CP8s or one or more CP9s.

If the `cp-accel-mode` option is not available, then your FortiGate does not support IPSA.

On FortiGates with one CP8, the default `cp-accel-mode` is `basic`. Setting the mode to `advanced` does not change the types of pattern matching that are offloaded.

On FortiGates with two or more CP8s or one or more CP9s, the default `cp-accel-mode` is `advanced`. You can set the mode to `basic` to offload fewer types of pattern matching.

NP6, NP6XLite, and NP6Lite acceleration

NP6, NP6XLite, and NP6Lite network processors provide fastpath acceleration by offloading communication sessions from the FortiGate CPU. When the first packet of a new session is received by an interface connected to an NP6 processor, just like any session connecting with any FortiGate interface, the session is forwarded to the FortiGate CPU where it is matched with a security policy. If the session is accepted by a security policy and if the session can be offloaded its session key is copied to the NP6 processor that received the packet. All of the rest of the packets in the session are intercepted by the NP6 processor and fast-pathed out of the FortiGate unit to their destination without ever passing through the FortiGate CPU. The result is enhanced network performance provided by the NP6 processor plus the network processing load is removed from the CPU. In addition the NP6 processor can handle some CPU intensive tasks, like IPsec VPN encryption/decryption.



NP6XLite and NP6Lite processors have the same architecture and function in the same way as NP6 processors. All of the descriptions of NP6 processors in this document can be applied to NP6XLite and NP6Lite processors except where noted.

Session keys (and IPsec SA keys) are stored in the memory of the NP6 processor that is connected to the interface that received the packet that started the session. All sessions are fast-pathed and accelerated, even if they exit the FortiGate unit through an interface connected to another NP6. There is no dependence on getting the right pair of interfaces since the offloading is done by the receiving NP6.

The key to making this possible is an Integrated Switch Fabric (ISF) that connects the NP6s and the FortiGate unit interfaces together. Many FortiGate units with NP6 processors also have an ISF. The ISF allows any interface connectivity to any NP6 on the same ISF. There are no special ingress and egress fast path requirements as long as traffic enters and exits on interfaces connected to the same ISF.

Some FortiGate units, such as the FortiGate 1000D include multiple NP6 processors that are not connected by an ISF. Because the ISF is not present fast path acceleration is supported only between interfaces connected to the same NP6 processor. Since the ISF introduces some latency, models with no ISF provide low-latency network acceleration between network interfaces connected to the same NP6 processor.

Each NP6 has a maximum throughput of 40 Gbps using 4 x 10 Gbps XAUI or Quad Serial Gigabit Media Independent Interface (QSGMII) interfaces or 3 x 10 Gbps and 16 x 1 Gbps XAUI or QSGMII interfaces.

There are at least two limitations to keep in mind:

- The capacity of each NP6 processor. An individual NP6 processor can support between 10 and 16 million sessions. This number is limited by the amount of memory the processor has. Once an NP6 processor hits its session limit, sessions that are over the limit are sent to the CPU. You can avoid this problem by as much as possible distributing incoming sessions evenly among the NP6 processors. To be able to do this you need to be aware of which interfaces connect to which NP6 processors and distribute incoming traffic accordingly.
- The NP6 processors in some FortiGate units employ NP direct technology that removes the ISF. The result is very low latency but no inter-processor connectivity requiring you to make sure that traffic to be offloaded enters and exits the FortiGate through interfaces connected to the same NP processor.

NP6 session fast path requirements

NP6 processors can offload the following traffic and services:

- IPv4 and IPv6 traffic and NAT64 and NAT46 traffic (as well as IPv4 and IPv6 versions of the following traffic types where appropriate).
- Link aggregation (LAG) (IEEE 802.3ad) traffic and traffic from static redundant interfaces (see [Increasing NP6 offloading capacity using link aggregation groups \(LAGs\) on page 42](#)).
- TCP, UDP, ICMP, SCTP, and RDP traffic.
- IPsec VPN traffic, and offloading of IPsec encryption/decryption (including SHA2-256 and SHA2-512)
- NP6 processor IPsec engines support null, DES, 3DES, AES128, AES192, and AES256 encryption algorithms
- NP6 processor IPsec engines support null, MD5, SHA1, SHA256, SHA 384, and SHA512 authentication algorithms
- IPsec traffic that passes through a FortiGate without being unencrypted.
- Anomaly-based intrusion prevention, checksum offload and packet defragmentation.
- IPIP tunneling (also called IP in IP tunneling), SIT tunneling, and IPv6 tunneling sessions.
- UDP traffic with a destination port of 4500 (ESP-in-UDP traffic) (if enabled, see [Offloading UDP-encapsulated ESP traffic on page 71](#)).
- Multicast traffic (including Multicast over IPsec).
- CAPWAP and wireless bridge traffic tunnel encapsulation to enable line rate wireless forwarding from FortiAP devices (not supported by the NP6Lite).
- Traffic shaping and priority queuing for both shared and per IP traffic shaping.
- Syn proxying (not supported by the NP6Lite).
- DNS session helper (not supported by the NP6Lite).
- Inter-VDOM link traffic.

Sessions that are offloaded must be fast path ready. For a session to be fast path ready it must meet the following criteria:

- Layer 2 type/length must be 0x0800 for IPv4 or 0x86dd for IPv6 (IEEE 802.1q VLAN specification is supported).
- Layer 3 protocol can be IPv4 or IPv6.
- Layer 4 protocol can be UDP, TCP, ICMP, or SCTP.
- In most cases, Layer 3 / Layer 4 header or content modification sessions that require a session helper can be offloaded.
- Local host traffic (originated by the FortiGate unit) can be offloaded.
- If the FortiGate supports, NTurbo sessions can be offloaded if they are accepted by firewall policies that include IPS, Application Control, CASI, flow-based antivirus, or flow-based web filtering.

Offloading Application layer content modification is not supported. This means that sessions are not offloaded if they are accepted by firewall policies that include proxy-based virus scanning, proxy-based web filtering, DNS filtering, DLP, Anti-Spam, VoIP, ICAP, Web Application Firewall, or Proxy options.

DoS policy sessions are also not offloaded by NP6 processors.



If you disable anomaly checks by Intrusion Prevention (IPS), you can still enable hardware accelerated anomaly checks using the `fp-anomaly` field of the `config system interface` CLI command. See [Configuring individual NP6 processors on page 57](#).

If a session is not fast path ready, the FortiGate unit will not send the session key or IPsec SA key to the NP6 processor. Without the session key, all session key lookup by a network processor for incoming packets of that session fails, causing all session packets to be sent to the FortiGate unit's main processing resources, and processed at normal speeds.

If a session is fast path ready, the FortiGate unit will send the session key or IPsec SA key to the network processor. Session key or IPsec SA key lookups then succeed for subsequent packets from the known session or IPsec SA.



Due to a hardware limitation, NP6 processors cannot offload UDP traffic with destination port 4500. UDP traffic with a destination port of 4500 is ESP-in-UDP traffic. ESP in UDP sessions are processed by the CPU.

Packet fast path requirements

Packets within the session must then also meet packet requirements.

- Incoming packets must not be fragmented.
- Outgoing packets must not require fragmentation to a size less than 385 bytes. Because of this requirement, the configured MTU (Maximum Transmission Unit) for a network processor's network interfaces must also meet or exceed the NP6-supported minimum MTU of 385 bytes.

Mixing fast path and non-fast path traffic

If packet requirements are not met, an individual packet will be processed by the FortiGate CPU regardless of whether other packets in the session are offloaded to the NP6.

Also, in some cases, a protocol's session(s) may receive a mixture of offloaded and non-offloaded processing. For example, VoIP control packets may not be offloaded but VoIP data packets (voice packets) may be offloaded.

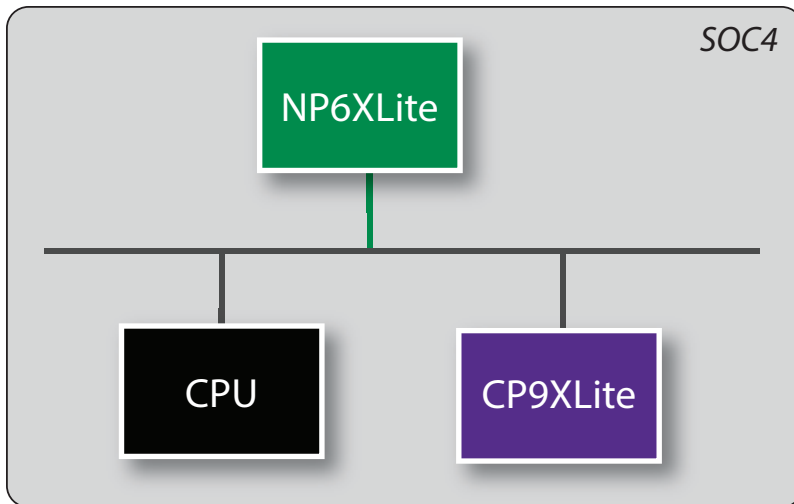
NP6XLite processors

The NP6XLite is a new iteration of NP6 technology that supports more features than the standard NP6 processor. For example, the NP6XLite can offload AES128-GCM and AES256-GCM encryption for IPsec VPN traffic. The NP6XLite has slightly lower throughput (36Gbps) than the NP6 (40Gbps).

The NP6XLite includes 4x KR/USXGMII/QSGMII and 2x(1x) Reduced gigabit media-independent interface (RGMII) interfaces.

The NP6XLite is a component of the Fortinet SOC4. The SOC4 includes a CPU, the NP6XLite network processor, and the CP9XLite content processor that supports most CP9 functionality but with a lower capacity.

SOC4 architecture



NP6Lite processors

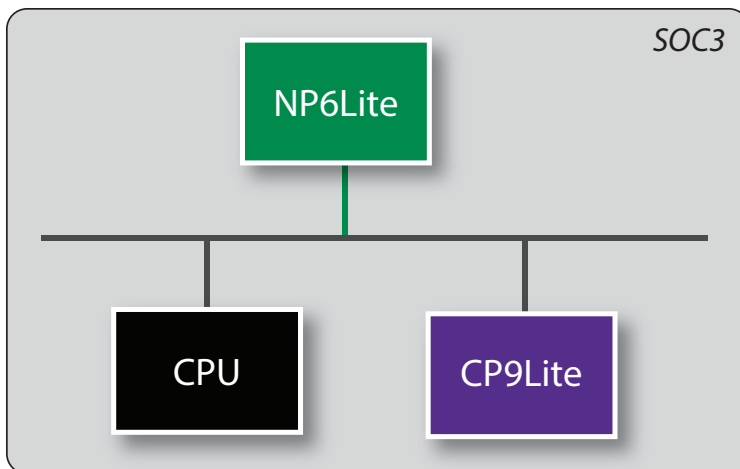
The NP6Lite works the same way as the NP6. Being a lighter version, the NP6Lite has a lower capacity than the NP6. The NP6Lite max throughput is 10 Gbps using 2x QSGMII and 2x Reduced gigabit media-independent interface (RGMII) interfaces.

Also, the NP6Lite does not offload the following types of sessions:

- CAPWAP
- Syn proxy
- DNS session helper

The NP6Lite is a component of the Fortinet SOC3. The SOC3 includes a CPU, the NP6Lite network processor, and a CP9Lite content processor that supports most CP9 functionality but with a lower capacity.

SOC3 architecture



NP6 processors and traffic shaping

NP6-offloaded sessions support most types of traffic shaping. However, in bandwidth and out bandwidth traffic shaping, set using the following command, is not supported:

```
config system interface
  edit port1
    set outbandwidth <value>
    set inbandwidth <value>
  end
```

Configuring in bandwidth traffic shaping has no effect. Configuring out bandwidth traffic shaping imposes more limiting than configured, potentially reducing throughput more than expected.

When NP6 or NP6Lite offloading is enabled, the NP6 and NP6Lite processors do not update traffic shaping statistics, including information about packets dropped by traffic shaping. For example, traffic shaping logs and the output of diagnose commands (for example, `diagnose firewall shaper`) will show traffic shaping counters as 0.

NP6XLite processors do support updating traffic shaping statistics and log messages and diagnose command output related to traffic shaping should show accurate statistics.

NP Direct

On FortiGates with more than one NP6 processor, removing the Internal Switch Fabric (ISF) for NP Direct architecture provides direct access to the NP6 processors for the lowest latency forwarding. Because the NP6 processors are not connected, care must be taken with network design to make sure that all traffic to be offloaded enters and exits the FortiGate through interfaces connected to the same NP6 processor. As well Link Aggregation (LAG) interfaces should only include interfaces all connected to the same NP6 processor.

Example NP direct hardware with more than one NP6 processor includes:

- Ports 25 to 32 of the FortiGate 3700D in low latency mode.
- FortiGate 2000E
- FortiGate 2500E

Viewing your FortiGate NP6, NP6XLite, or NP6Lite processor configuration

Use either of the following commands to view the NP6 processor hardware configuration of your FortiGate unit:

```
get hardware npu np6 port-list
diagnose npu np6 port-list
```

If your FortiGate has NP6XLite processors, you can use the following command:

```
diagnose npu np6xlite port-list
```

If your FortiGate has NP6Lite processors, you can use either of the following commands:

```
get hardware npu np6lite port-list
diagnose npu np6lite port-list
```

For example, for the FortiGate-100E the output would be:

```
get hardware npu np6 port-list
Chip  XAUI Ports          Max   Cross-chip
      XAUI Ports          Speed offloading
-----
np6_0  0   port20             1G   Yes
      0   port1              1G   Yes
      0   port2              1G   Yes
      1   port19             1G   Yes
      1   port3              1G   Yes
      1   port4              1G   Yes
      2   port18             1G   Yes
      2   port26             10G  Yes
      2   port5              1G   Yes
      2   port6              1G   Yes
      3   port17             1G   Yes
      3   port25             10G  Yes
      3   port7              1G   Yes
      3   port8              1G   Yes
      0-3 port29             25G  Yes
      0-3 port30             25G  Yes
      0-3 port33             40G  Yes
-----
np6_1  0   port24             1G   Yes
      0   port28             10G  Yes
      0   port9              1G   Yes
      0   port10             1G   Yes
      1   port23             1G   Yes
      1   port27             10G  Yes
      1   port11             1G   Yes
      1   port12             1G   Yes
      2   port22             1G   Yes
      2   port13             1G   Yes
      2   port14             1G   Yes
      3   port21             1G   Yes
      3   port15             1G   Yes
      3   port16             1G   Yes
      0-3 port31             25G  Yes
      0-3 port32             25G  Yes
      0-3 port34             40G  Yes
-----
```

For more example output for different FortiGate models, see [FortiGate NP6 architectures on page 84](#), [FortiGate NP6XLite architectures on page 152](#), and [FortiGate NP6Lite architectures on page 160](#).

You can also use the following command to view the features enabled or disabled on the NP6 processors in your FortiGate unit:

```
diagnose npu np6 npu-feature
      np_0   np_1
-----
Fastpath           Enabled   Enabled
HPE-type-shaping   Disabled  Disabled
Standalone         No       No
IPv4 firewall      Yes      Yes
IPv6 firewall      Yes      Yes
IPv4 IPSec         Yes      Yes
```

IPv6 IPsec	Yes	Yes
IPv4 tunnel	Yes	Yes
IPv6 tunnel	Yes	Yes
GRE tunnel	No	No
GRE passthrough	Yes	Yes
IPv4 Multicast	Yes	Yes
IPv6 Multicast	Yes	Yes
CAPWAP	Yes	Yes
RDP Offload	Yes	Yes

The following command is available to view the features enabled or disabled on the NP6XLite processors in your FortiGate unit:

```
diagnose npu np6xlite npu-feature
                        np_0
-----
Fastpath                Enabled
HPE-type-shaping        Disabled
IPv4 firewall           Yes
IPv6 firewall           Yes
IPv4 IPsec              Yes
IPv6 IPsec              Yes
IPv4 tunnel             Yes
IPv6 tunnel             Yes
GRE passthrough         Yes
IPv4 Multicast          Yes
IPv6 Multicast          Yes
CAPWAP                  Yes
```

The following command is available to view the features enabled or disabled on the NP6Lite processors in your FortiGate unit:

```
diagnose npu np6lite npu-feature
                        np_0      np_1
-----
Fastpath                Enabled   Enabled
IPv4 firewall           Yes     Yes
IPv6 firewall           Yes     Yes
IPv4 IPsec              Yes     Yes
IPv6 IPsec              Yes     Yes
IPv4 tunnel             Yes     Yes
IPv6 tunnel             Yes     Yes
GRE tunnel              No      No
IPv4 Multicast          Yes     Yes
IPv6 Multicast          Yes     Yes
```

Disabling NP6, NP6XLite, and NP6Lite hardware acceleration (fastpath)

You can use the following command to disable NP6 offloading for all traffic. This option disables NP6 offloading for all traffic for all NP6 processors.

```
config system npu
  set fastpath disable
end
```

`fastpath` is enabled by default.

This command is also available on some FortiGate models that include NP6Lite processors depending on the firmware version.

FortiGate models with NP6XLite processors

FortiGate models with NP6XLite processors include the following command to disable NP6XLite offloading:

```
config system np6xlite
  edit np6xlite_0
    set fastpath disable
  end
```

`fastpath` is enabled by default. This command disables offloading for individual NP6XLite processors, in the example, `np6xlite_0`.

Using a diagnose command to disable hardware acceleration

Most FortiGate models and firmware versions include the following diagnose command to disable or enable hardware acceleration.

```
diagnose npu <processor-name> fastpath disable <id>
```

`processor-name` can be `np6`, `np6xlite`, or `np6lite`.

`fastpath` is enabled by default.

`id` specify the ID of the NP6, NP6XLite, or NP6Lite processor for which to disable offloading.

If you use this command to disable hardware acceleration, when your FortiGate restarts, `fastpath` will be enabled again since diagnose command changes are not saved to the FortiGate configuration database. This may be the only option for disabling hardware acceleration for some FortiGate models and some firmware versions.

Optimizing NP6 performance by distributing traffic to XAUI links

On FortiGate units with NP6 processors, the FortiGate interfaces are switch ports that connect to the NP6 processors with XAUI links. Each NP6 processor has a 40-Gigabit bandwidth capacity. Traffic passes from the interfaces to each NP6 processor over four XAUI links. The four XAUI links each have a 10-Gigabit capacity for a total of 40 Gigabits.

On many FortiGate units with NP6 processors, the NP6 processors and the XAUI links are over-subscribed. Since the NP6 processors are connected by an Integrated Switch Fabric, you do not have control over how traffic is distributed to them. In fact traffic is distributed evenly by the ISF.

However, you can control how traffic is distributed to the XAUI links and you can optimize performance by distributing traffic evenly among the XAUI links. For example, if you have a very high amount of traffic passing between two networks, you can connect each network to interfaces connected to different XAUI links to distribute the traffic for each network to a different XAUI link.

Example: FortiGate 3200D

On the FortiGate 3200D (See [FortiGate 3200D fast path architecture on page 121](#)), there are 48 10-Gigabit interfaces that send and receive traffic for two NP6 processors over a total of eight 10-Gigabit XAUI links. Each XAUI link gets traffic from six 10-Gigabit FortiGate interfaces. The amount of traffic that the FortiGate 3200D can offload is limited by the number of NP6 processors and the number of XAUI links. You can optimize the amount of traffic that the FortiGate 3200D can process by distributing it evenly amount the XAUI links and the NP6 processors.

You can see the Ethernet interface, XAUI link, and NP6 configuration by entering the `get hardware npu np6 port-list` command. For the FortiGate 3200D the output is:

```
get hardware npu np6 port-list
Chip   XAUI Ports   Max   Cross-chip
      XAUI Ports   Speed offloading
-----
np6_0  0    port1    10G   Yes
      0    port5    10G   Yes
      0    port10   10G   Yes
      0    port13   10G   Yes
      0    port17   10G   Yes
      0    port22   10G   Yes
      1    port2    10G   Yes
      1    port6    10G   Yes
      1    port9    10G   Yes
      1    port14   10G   Yes
      1    port18   10G   Yes
      1    port21   10G   Yes
      2    port3    10G   Yes
      2    port7    10G   Yes
      2    port12   10G   Yes
      2    port15   10G   Yes
      2    port19   10G   Yes
      2    port24   10G   Yes
      3    port4    10G   Yes
      3    port8    10G   Yes
      3    port11   10G   Yes
      3    port16   10G   Yes
      3    port20   10G   Yes
      3    port23   10G   Yes
-----
np6_1  0    port26   10G   Yes
      0    port29   10G   Yes
      0    port33   10G   Yes
      0    port37   10G   Yes
      0    port41   10G   Yes
      0    port45   10G   Yes
      1    port25   10G   Yes
      1    port30   10G   Yes
      1    port34   10G   Yes
      1    port38   10G   Yes
      1    port42   10G   Yes
      1    port46   10G   Yes
      2    port28   10G   Yes
      2    port31   10G   Yes
      2    port35   10G   Yes
      2    port39   10G   Yes
```

```

2    port43  10G  Yes
2    port47  10G  Yes
3    port27  10G  Yes
3    port32  10G  Yes
3    port36  10G  Yes
3    port40  10G  Yes
3    port44  10G  Yes
3    port48  10G  Yes
-----

```

In this command output you can see that each NP6 has for four XAUI links (0 to 3) and that each XAUI link is connected to six 10-gigabit Ethernet interfaces. To optimize throughput you should keep the amount of traffic being processed by each XAUI port to under 10 Gbps. So for example, if you want to offload traffic from four 10-gigabit networks you can connect these networks to Ethernet interfaces 1, 2, 3 and 4. This distributes the traffic from each 10-Gigabit network to a different XAUI link. Also, if you wanted to offload traffic from four more 10-Gigabit networks you could connect them to Ethernet ports 26, 25, 28, and 27. As a result each 10-Gigabit network would be connected to a different XAUI link.

Example FortiGate 3300E

On the FortiGate 3300E (See [FortiGate 3300E and 3301E fast path architecture on page 123](#)), there are 34 data interfaces of various speeds that send and receive traffic for four NP6 processors over a total of sixteen 10-Gigabit XAUI links. The amount of traffic that the FortiGate 3300E can offload is limited by the number of NP6 processors and the number of XAUI links. You can optimize the amount of traffic that the FortiGate 3300E can process by distributing it evenly amount the XAUI links and the NP6 processors.

You can see the FortiGate 3300E Ethernet interface, XAUI link, and NP6 configuration by entering the `get hardware npu np6 port-list` command. For the FortiGate 3300E the output is:

```

get hardware npu np6 port-list
Chip  XAUI Ports          Max   Cross-chip
      XAUI Ports          Speed offloading
-----
np6_0  0    port1             1G    Yes
      0    port14            10G   Yes
      1    port2             1G    Yes
      1    port15            10G   Yes
      2    port3             1G    Yes
      2    port16            10G   Yes
      3    port13            10G   Yes
      0-3  port17            25G   Yes
      0-3  port31            40G   Yes
-----
np6_1  0    port4             1G    Yes
      1    port5             1G    Yes
      2    port6             1G    Yes
      3
      0-3  port18            25G   Yes
      0-3  port19            25G   Yes
      0-3  port20            25G   Yes
      0-3  port24            25G   Yes
      0-3  port23            25G   Yes
      0-3  port32            40G   Yes
-----
np6_2  0    port7             1G    Yes

```


	1	port8	1G	Yes
	2	port9	1G	Yes
	3			
	0-3	port22	25G	Yes
	0-3	port21	25G	Yes
	0-3	port26	25G	Yes
	0-3	port25	25G	Yes
	0-3	port28	25G	Yes
	0-3	port33	40G	Yes

np6_3	0	port10	1G	Yes
	1	port11	1G	Yes
	2	port12	1G	Yes
	2	port29	10G	Yes
	3	port30	10G	Yes
	0-3	port27	25G	Yes
	0-3	port34	40G	Yes

In this command output you can see that each NP6 has four XAUI links (0 to 3) and the mapping between XAUI ports and interfaces is different for each NP6 processor.

NP6_0 has the following XAUI mapping:

- port1 (1G) and port14 (10G) are connected to XAUI link 0.
- port2 (1G) and port15 (10G) are connected to XAUI link 1.
- port3 (1G) and port16 (10G) are connected to XAUI link 2.
- port13 (10G) is connected to XAUI link 3.
- port17 (25G) and port31 (40G) are connect to all four of the XAUI links (0-3).

The interfaces connected to NP6_0 have a total capacity of 108G, but NP6_0 has total capacity of 40G. For optimal performance, no more than 40G of this capacity should be used or performance will be affected. For example, if you connect port31 to a busy 40G network you should avoid using any of the other ports connected to NP6_0. If you connect port17 to a 25G network, you can also connect one or two 10G interfaces (for example, port14 and 15). You can connect port13, port14, port15, and port16 to four 10G networks if you avoid using any of the other interfaces connected to NP6_0.

Enabling bandwidth control between the ISF and NP6 XAUI ports to reduce the number of dropped egress packets

In some cases, the Internal Switch Fabric (ISF) buffer size may be larger than the buffer size of an NP6 XAUI port that receives traffic from the ISF. If this happens, burst traffic from the ISF may exceed the capacity of an XAUI port and egress or EHP sessions may be dropped during traffic bursts.

You can use the following command to use the ISF switch buffer instead of the NP6 processor buffer to provide bandwidth control between the ISF and XAUI ports. Enabling bandwidth control can smooth burst traffic and keep the XAUI ports from getting overwhelmed and dropping sessions. Since the ISF has a larger buffer it may be able to handle more traffic.

Use the following command to enable bandwidth control:

```
config system npu
  set sw-np-bandwidth {0G | 2G | 4G | 5G | 6G}
end
```

0G the default, ISF switch buffer memory is not used to buffer egress packets.

2G, 4G, 5G, 6G the amount of ISF switch buffer memory to use for packet buffering to avoid dropped packets. You can adjust the amount of ISF buffer to optimize performance for your system and network conditions.

Increasing NP6 offloading capacity using link aggregation groups (LAGs)

NP6 processors can offload sessions received by interfaces in link aggregation groups (LAGs) (IEEE 802.3ad). 802.3ad Link Aggregation and Link Aggregation Control Protocol (LACP) combines more than one physical interface into a group that functions like a single interface with a higher capacity than a single physical interface. For example, you could use a LAG if you want to offload sessions on a 30 Gbps link by adding three 10-Gbps interfaces to the same LAG.

All offloaded traffic types are supported by LAGs, including IPsec VPN traffic. Just like with normal interfaces, traffic accepted by a LAG is offloaded by the NP6 processor connected to the interfaces in the LAG that receive the traffic to be offloaded. If all interfaces in a LAG are connected to the same NP6 processor, traffic received by that LAG is offloaded by that NP6 processor. The amount of traffic that can be offloaded is limited by the capacity of the NP6 processor.

If a FortiGate has two or more NP6 processors connected by an integrated switch fabric (ISF), you can use LAGs to increase offloading by sharing the traffic load across multiple NP6 processors. You do this by adding physical interfaces connected to different NP6 processors to the same LAG.

Adding a second NP6 processor to a LAG effectively doubles the offloading capacity of the LAG. Adding a third further increases offloading. The actual increase in offloading capacity may not actually be doubled by adding a second NP6 or tripled by adding a third. Traffic and load conditions and other factors may limit the actual offloading result.

The increase in offloading capacity offered by LAGs and multiple NP6s is supported by the integrated switch fabric (ISF) that allows multiple NP6 processors to share session information. Most FortiGate units with multiple NP6 processors also have an ISF. However, FortiGate models such as the 1000D, 2000E, and 2500E do not have an ISF. If you attempt to add interfaces connected to different NP6 processors to a LAG the system displays an error message.

There is also the following limitation to LAG NP6 offloading support for IPsec VPN:

- Because the encrypted traffic for one IPsec VPN tunnel has the same 5-tuple, the traffic from one tunnel can only be balanced to one interface in a LAG. This limits the maximum throughput for one IPsec VPN tunnel in an NP6 LAG group to 10Gbps.

NP6 processors and redundant interfaces

NP6 processors can offload sessions received by interfaces that are part of a redundant interface. You can combine two or more physical interfaces into a redundant interface to provide link redundancy. Redundant interfaces ensure connectivity if one physical interface, or the equipment on that interface, fails. In a redundant interface, traffic travels only over one interface at a time. This differs from an aggregated interface where traffic travels over all interfaces for distribution of increased bandwidth.

All offloaded traffic types are supported by redundant interfaces, including IPsec VPN traffic. Just like with normal interfaces, traffic accepted by a redundant interface is offloaded by the NP6 processor connected to the interfaces in the redundant interface that receive the traffic to be offloaded. If all interfaces in a redundant interface are connected to the same NP6 processor, traffic received by that redundant interface is offloaded by that NP6 processor. The amount of traffic that can be offloaded is limited by the capacity of the NP6 processor.

If a FortiGate has two or more NP6 processors connected by an integrated switch fabric (ISF), you can create redundant interfaces that include physical interfaces connected to different NP6 processors. However, with a redundant interface, only one of the physical interfaces is processing traffic at any given time. So you cannot use redundant interfaces to increase performance in the same way as you can with aggregate interfaces.

The ability to add redundant interfaces connected to multiple NP6s is supported by the integrated switch fabric (ISF) that allows multiple NP6 processors to share session information. Most FortiGate units with multiple NP6 processors also have an ISF. However, FortiGate models such as the 1000D, 2000E, and 2500E do not have an ISF. If you attempt to add interfaces connected to different NP6 processors to a redundant interface the system displays an error message.

Improving LAG performance on some FortiGate models

Some FortiGate models support one of the following commands that might improve link aggregation (LAG) performance by reducing the number of dropped packets that can occur with some LAG configurations.

If the command is available, depending on hardware architecture, on some models its available under `config system npu`:

```
config system npu
  set lag-sw-out-trunk {disable | enable}
end
```

And on others the following option is available under `config system np6`:

```
config system np6
  edit np6_0
    set lag-npu {disable | enable}
  end
```

If you notice NP6- accelerated LAG interface performance is lower than expected or if you notice excessive dropped packets for sessions over LAG interfaces, you could see if your FortiGate has one of these options in the CLI and if available try enabling it and see if performance improves.

If the option is available for your FortiGate under `config system np6`, you should enable it for every NP6 processor that is connected to a LAG interface.

Eliminating dropped packets on LAG interfaces

In some network and traffic configurations and for some FortiGate models with NP6 processors, traffic passing through a LAG may experience excessive amounts of dropped packets. This can happen if the FortiGate switch fabric and NP6 processor select different ingress and egress XAUI interfaces for the same traffic flow through a LAG interface, resulting in possible collisions and dropped packets.

Some FortiGate models allow you to resolve this problem by using the following command to cause both the switch fabric and the NP6 processor to use the same XAUI port mapping:

```
config system npu
  set lag-out-port-select {disable | enable}
end
```

This option is disabled by default, causing the FortiGate to use a different method for selecting ingress and egress XAUI interfaces for a LAG than for a single interface. Normally the default setting is recommended.

If you enable `lag-out-port-select`, the FortiGate uses the same method for selecting the ingress and egress XAUI interfaces for LAGs as is used for standalone interfaces; which should eliminate the dropped packets. This option is supported on some FortiGate models with NP6 processors including the FortiGate-3800D family, 3900E family, 5001E, 6000F family and 7000E family.

Configuring inter-VDOM link acceleration with NP6 processors

FortiGate units with NP6 processors include NPU VDOM links that can be used to accelerate inter-VDOM link traffic.

- A FortiGate with two NP6 processors may have two NPU VDOM links, each with two interfaces:
 - **npu0_vlink** (NPU VDOM link)
 - npu0_vlink0 (NPU VDOM link interface)
 - npu0_vlink1 (NPU VDOM link interface)
 - **npu1_vlink** (NPU VDOM link)
 - npu1_vlink0 (NPU VDOM link interface)
 - npu1_vlink1 (NPU VDOM link interface)



Explicit proxy traffic over NP6 inter-VDOM links may be blocked if that traffic uses jumbo frames.

These interfaces are visible from the GUI and CLI. Enter the following CLI command to display the NPU VDOM links:

```
get system interface
...
== [ npu0_vlink0 ]
name: npu0_vlink0 mode: static ip: 0.0.0.0 0.0.0.0 status: down netbios-forward: disable
type: physical sflow-sampler: disable explicit-web-proxy: disable explicit-ftp-proxy:
disable mtu-override: disable wccp: disable drop-overlapped-fragment: disable drop-
fragment: disable

== [ npu0_vlink1 ]
name: npu0_vlink1 mode: static ip: 0.0.0.0 0.0.0.0 status: down netbios-forward: disable
type: physical sflow-sampler: disable explicit-web-proxy: disable explicit-ftp-proxy:
disable mtu-override: disable wccp: disable drop-overlapped-fragment: disable drop-
fragment: disable

== [ npu1_vlink0 ]
name: npu1_vlink0 mode: static ip: 0.0.0.0 0.0.0.0 status: down netbios-forward: disable
type: physical sflow-sampler: disable explicit-web-proxy: disable explicit-ftp-proxy:
disable mtu-override: disable wccp: disable drop-overlapped-fragment: disable drop-
fragment: disable

== [ npu1_vlink1 ]
```

```
name: npu0_vlink1 mode: static ip: 0.0.0.0 0.0.0.0 status: down netbios-forward: disable
type: physical sflow-sampler: disable explicit-web-proxy: disable explicit-ftp-proxy:
disable mtu-override: disable wccp: disable drop-overlapped-fragment: disable drop-
fragment: disable
...
```

By default the NPU VDOM link interfaces are assigned to the root VDOM. To use them to accelerate inter-VDOM link traffic, assign each interface in the pair to the VDOMs that you want to offload traffic between. For example, if you have added a VDOM named New-VDOM, you can go to **System > Network > Interfaces** and edit the **npu0-vlink1** interface and set the **Virtual Domain to New-VDOM**. This results in an accelerated inter-VDOM link between root and New-VDOM. You can also do this from the CLI:

```
config system interface
edit npu0-vlink1
set vdom New-VDOM
end
```

Using VLANs to add more accelerated inter-VDOM link interfaces

You can add VLAN interfaces to NPU VDOM link interfaces to create accelerated links between more VDOMs. For the links to work, the VLAN interfaces must be added to the same NPU VDOM link interface, must be on the same subnet, and must have the same VLAN ID.

For example, to accelerate inter-VDOM traffic between VDOMs named Marketing and Engineering using VLANs with VLAN ID 100 go to **System > Network > Interfaces** and select **Create New** to create the VLAN interface associated with the Marketing VDOM:

Name	Marketing-link
Type	VLAN
Interface	npu0_vlink0
VLAN ID	100
Virtual Domain	Marketing
IP/Network Mask	172.20.120.12/24

Create the inter-VDOM link associated with Engineering VDOM:

Name	Engineering-link
Type	VLAN
Interface	npu0_vlink1
VLAN ID	100
Virtual Domain	Engineering
IP/Network Mask	172.20.120.22/24

Or do the same from the CLI:

```
config system interface
edit Marketing-link
set vdom Marketing
```

```

set ip 172.20.120.12/24
set interface npu0_vlink0
set vlanid 100
next
edit Engineering-link
set vdom Engineering
set ip 172.20.120.22/24
set interface npu0_vlink1
set vlanid 100

```

Confirm that the traffic is accelerated

Use the following diagnose commands to obtain the interface index and then correlate them with the session entries. In the following example traffic was flowing between new accelerated inter-VDOM link interfaces and physical interfaces port1 and port 2 also attached to the NP6 processor.

diagnose ip address list

```

IP=172.31.17.76->172.31.17.76/255.255.252.0 index=5 devname=port1
IP=10.74.1.76->10.74.1.76/255.255.252.0 index=6 devname=port2
IP=172.20.120.12->172.20.120.12/255.255.255.0 index=55 devname=IVL-VLAN1_ROOT
IP=172.20.120.22->172.20.120.22/255.255.255.0 index=56 devname=IVL-VLAN1_VDOM1

```

diagnose sys session list

```

session info: proto=1 proto_state=00 duration=282 expire=24 timeout=0 session info:
    proto=1 proto_state=00 duration=124 expire=59 timeout=0 flags=00000000
    sockflag=00000000 sockport=0 av_idx=0 use=3
origin-shaper=
reply-shaper=
per_ip_shaper=
ha_id=0 policy_dir=0 tunnel=/
state=may_dirty npu
statistic(bytes/packets/allow_err): org=180/3/1 reply=120/2/1 tuples=2
origin->sink: org pre->post, reply pre->post dev=55->5/5->55
    gwy=172.31.19.254/172.20.120.22
hook=post dir=org act=snat 10.74.2.87:768->10.2.2.2:8(172.31.17.76:62464)
hook=pre dir=reply act=dnat 10.2.2.2:62464->172.31.17.76:0(10.74.2.87:768)
misc=0 policy_id=4 id_policy_id=0 auth_info=0 chk_client_info=0 vd=0
serial=0000004e tos=ff/ff ips_view=0 app_list=0 app=0
dd_type=0 dd_mode=0
per_ip_bandwidth meter: addr=10.74.2.87, bps=880
npu_state=00000000
npu info: flag=0x81/0x81, offload=8/8, ips_offload=0/0, epid=160/218, ipid=218/160,
vlan=32769/0

session info: proto=1 proto_state=00 duration=124 expire=20 timeout=0 flags=00000000
    sockflag=00000000 sockport=0 av_idx=0 use=3
origin-shaper=
reply-shaper=
per_ip_shaper=
ha_id=0 policy_dir=0 tunnel=/
state=may_dirty npu
statistic(bytes/packets/allow_err): org=180/3/1 reply=120/2/1 tuples=2
origin->sink: org pre->post, reply pre->post dev=6->56/56->6 gwy=172.20.120.12/10.74.2.87
hook=pre dir=org act=noop 10.74.2.87:768->10.2.2.2:8(0.0.0.0:0)
hook=post dir=reply act=noop 10.2.2.2:768->10.74.2.87:0(0.0.0.0:0)

```

```
misc=0 policy_id=3 id_policy_id=0 auth_info=0 chk_client_info=0 vd=1
serial=0000004d tos=ff/ff ips_view=0 app_list=0 app=0
dd_type=0 dd_mode=0
per_ip_bandwidth meter: addr=10.74.2.87, bps=880
npu_state=00000000
npu info: flag=0x81/0x81, offload=8/8, ips_offload=0/0, epid=219/161, ipid=161/219,
vlan=0/32769
total session 2
```

IPv6 IPsec VPN over NPU VDOM links

If you have configured your FortiGate to send IPv6 IPsec traffic over NP6-accelerated NPU VDOM links bound to the same NP6 processor, you should also enable the following option (which is disabled by default):

```
config system npu
  set ipsec-over-vlink enable
end
```

If your FortiGate has one NP6 processor, all accelerated inter-VDOM interfaces that you create will be bound to this NP6 processor. If you are sending IPv6 IPsec traffic between two inter-VDOM link interfaces you should enable `ipsec-over-vlink` or some traffic may be dropped.

If your FortiGate has multiple NP6 processors, to send IPv6 IPsec traffic between inter-VDOM link interfaces you can do either of the following:

- If the two inter-VDOM link interfaces used for passing IPv6 IPsec traffic are bound to different NPU VDOM links (for example, `npu0` and `npu1`) disable `ipsec-over-vlink`. This is the recommended configuration.
- If the two inter-VDOM link interfaces are bound to the same NPU VDOM link, enable `ipsec-over-vlink`.

Disabling offloading IPsec Diffie-Hellman key exchange

You can use the following command to disable using ASIC offloading to accelerate IPsec Diffie-Hellman key exchange for IPsec ESP traffic. By default hardware offloading is used. For debugging purposes or other reasons you may want this function to be processed by software.

Use the following command to disable using ASIC offloading for IPsec Diffie-Hellman key exchange:

```
config system global
  set ipsec-asic-offload disable
end
```

Supporting IPsec anti-replay protection

Because of how NP6 processors cache inbound IPsec SAs, IPsec VPN sessions with anti-replay protection that are terminated by the FortiGate may fail the replay check and be dropped.

You can use the following command to disable caching of inbound IPsec VPN SAs, allowing IPsec VPN sessions with anti-replay protection that are terminated by the FortiGate to work normally:

```
config system npu
  set ipsec-inbound-cache disable
```

end

With caching enabled (the default), a single NP6 processor can run multiple IPsec engines to process IPsec VPN sessions terminated by the FortiGate. Disabling `ipsec-inbound-cache` reduces performance of IPsec VPN sessions terminated by the FortiGate, because without caching an NP6 processor can only run one IPsec engine.

You must manually restart your FortiGate after disabling or enabling `ipsec-inbound-cache`.

If your FortiGate contains multiple NP6 processors, you can improve performance while supporting anti-replay protection by creating a LAG of interfaces connected to multiple NP6 processors. This allows distribution of IPsec anti-replay traffic from one traffic stream to more than one NP6 processor; resulting in multiple IPsec engines being available. See [Increasing NP6 offloading capacity using link aggregation groups \(LAGs\) on page 42](#).

Disabling `ipsec-inbound-cache` does not affect performance of other traffic terminated by the FortiGate and does not affect performance of traffic passing through the FortiGate.



NP6XLite and NP6Lite processors do not have this caching limitation. IP Sec VPN sessions with anti-replay protection that are passing through the FortiGate are not affected by this limitation.

Access control lists (ACLs)

Access Control Lists (ACLs) use NP6 offloading to drop IPv4 or IPv6 packets at the physical network interface before the packets are analyzed by the CPU. On a busy appliance this can really help the performance. This feature is available on FortiGates with NP6 processors and is not supported by FortiGates with NP6XLite and NP6Lite processors.

The ACL feature is available only on FortiGates with NP6-accelerated interfaces. ACL checking is one of the first things that happens to the packet and checking is done by the NP6 processor. The result is very efficient protection that does not use CPU or memory resources.

Use the following command to configure IPv4 ACL lists:

```
config firewall acl
  edit 0
    set status enable
    set interface <interface-name>
    set srcaddr <firewall-address>
    set dstaddr <firewall-address>
    set service <firewall-service>
  end
```

Use the following command to configure IPv6 ACL lists:

```
config firewall acl6
  edit 0
    set status enable
    set interface <interface-name>
    set srcaddr <firewall-address6>
    set dstaddr <firewall-address6>
    set service <firewall-service>
  end
```


Where:

<interface-name> is the interface on which to apply the ACL. There is a hardware limitation that needs to be taken into account. The ACL is a Layer 2 function and is offloaded to the ISF hardware, therefore no CPU resources are used in the processing of the ACL. It is handled by the inside switch chip which can do hardware acceleration, increasing the performance of the FortiGate. The ACL function is only supported on switch fabric driven interfaces.

<firewall-address> <firewall-address6> can be any of the address types used by the FortiGate, including address ranges. The traffic is blocked not on an either or basis of these addresses but the combination of the two, so that they both have to be correct for the traffic to be denied. To block all of the traffic from a specific address all you have to do is make the destination address ALL.

Because the blocking takes place at the interface based on the information in the packet header and before any processing such as NAT can take place, a slightly different approach may be required. For instance, if you are trying to protect a VIP which has an external address of x.x.x.x and is forwarded to an internal address of y.y.y.y, the destination address that should be used is x.x.x.x, because that is the address that will be in the packet's header when it hits the incoming interface.

<firewall-service> the firewall service to block. Use ALL to block all services.

NP6 HPE host protection engine

The NP6 host protection engine (HPE) uses NP6 processors to protect the FortiGate CPU from excessive amounts of ingress traffic, which typically occurs during DDoS attacks or network problems (for example an ARP flood due to a network loop). You can use the HPE to prevent ingress traffic received on data interfaces connected to NP6 processors from overloading the FortiGate CPU.

You configure the HPE by enabling it and setting traffic thresholds. The HPE then acts like a traffic shaper, dropping packets that exceed the configured traffic thresholds. You can enable HPE monitoring to record log messages when the HPE drops packets. You can also run the HPE with monitoring enabled but without dropping packets. Using these tools you can monitor HPE activity and set HPE threshold values that are low enough to protect the CPU and high enough to not impact legitimate traffic.

The HPE does not affect offloaded traffic, just CPU traffic. The HPE is not as granular as DoS policies and should be used as a first level of protection.

DoS policies can be used as a second level of protection. For information about DoS policies, see [DoS protection](#). DoS policy sessions are not offloaded by NP6 processors.

You can use the following command to configure the HPE.

```
config system {np6 | np6xlite | np6lite}
  edit <np6-processor-name>
    config hpe
      set enable-shaper {disable | enable}
      set tcpsyn-max <packets-per-second>
      set tcpsyn-ack-max <packets-per-second>
      set tcpfin-rst-max <packets-per-second>
      set tcp-max <packets-per-second>
      set udp-max <packets-per-second>
      set icmp-max <packets-per-second>
      set sctp-max <packets-per-second>
      set esp-max <packets-per-second>
      set ip-frag-max <packets-per-second>
```

```
set ip-others-max <packets-per-second>
set arp-max <packets-per-second>
set l2-others-max <packets-per-second>
set pri-type-max <packets-per-second>
end
```

You can use HPE monitoring to verify how many packets the HPE is actually dropping. See [Monitoring NP6 HPE activity on page 55](#). You can also use the `diagnose npu np6 monitor-hpe` command to monitor HPE activity without dropping packets. See [Monitor HPE activity without dropping packets on page 56](#).

The HPE also includes an overflow option for high-priority traffic, see [NP6 HPE and high priority traffic on page 54](#).

For more information about the NP6 HPE, see this Fortinet KB article: [Technical Note: Host Protection Engine \(HPE\) feature overview](#).

NP6 HPE packet flow and host queues

You configure the NP6 HPE separately for each NP6 processor. Each NP6 processor has multiple host queues and each HPE packets-per-second setting is applied separately to each host queue. The actual amount of traffic allowed by an HPE threshold depends on the number of host queues that each NP6 processor has. You can use the following command to see the number of host queues of the NP6 processors in your FortiGate.

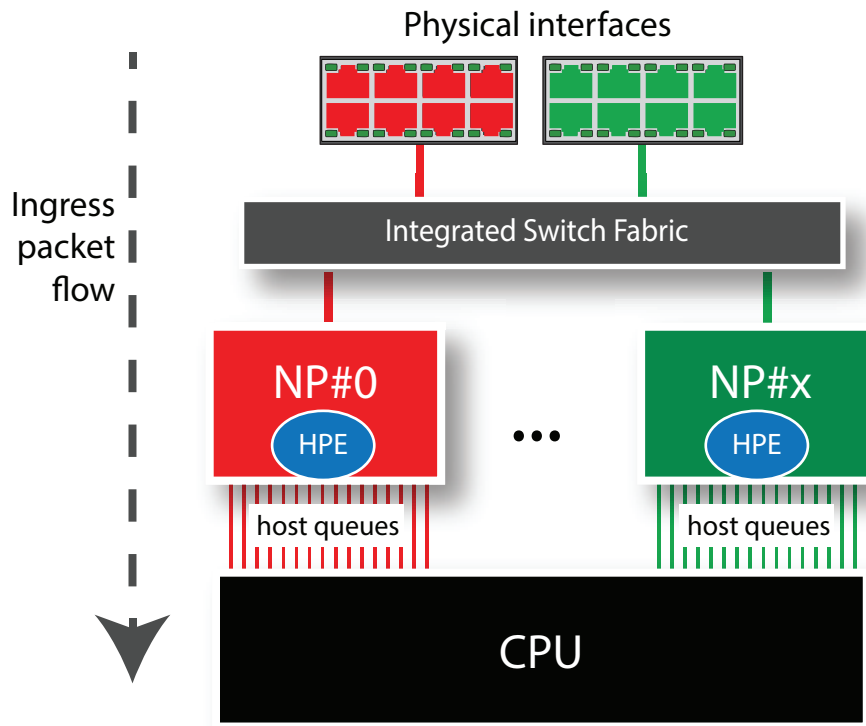
For example, for a FortiGate-1500D, the following command output shows that the number of host queues for NP6_0 is 6 (`hpe_ring:6`).

```
diagnose npu np6 hpe 0 | grep ring
HPE HW pkt_credit:20000 , tsref_inv:60000, tsref_gap:4 , np:0, hpe_type_max:200000, hpe_
ring:6
```

Based on the number of host queues, you can calculate the total number of packets per second allowed for a given HPE threshold for an NP6 processor. Some examples.

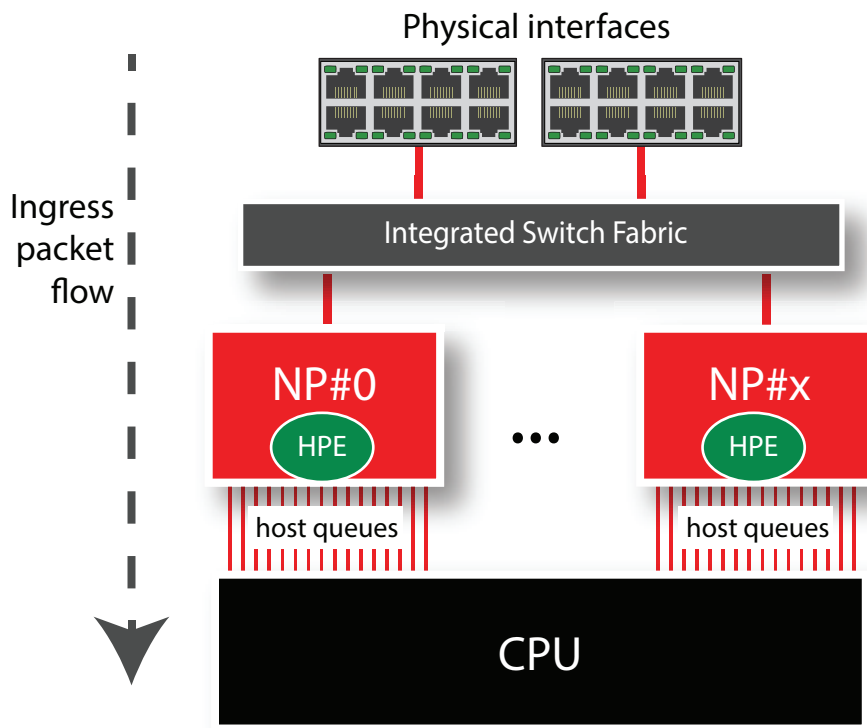
- On the FortiGate-1500D, interfaces port1-8, port17-24 and port33-36 are connected to NP6_0. The default HPE `tcpsyn-max` setting of 600000 for NP6_0, limits the total number of TCP_SYN host packets per second that these interfaces can process to $600000 \times 6 = 3,600,000$ host packets per second.

HPE packet flow with multiple NP6 processors connected to different interfaces



- The FortiGate-3600E has six NP6 processors and each NP6 processor has 20 host queues. All front panel data interfaces are connected to all NP6 processors over the integrated switch fabric. The default `tcpsyn-ack-max` setting of 600000 limits the total number of TCP SYN_ACK host packets per second that the FortiGate-3600E can process to $600000 \times 20 \times 6 = 72,000,000$ TCP SYN_ACK host packets per second.

HPE packet flow with multiple NP6 processors connected to all interfaces



NP6 HPE configuration options

The NP6 HPE supports setting individual limits for the following traffic types:

- TCP SYN
- TCP SYN_ACK
- TCP FIN and RST
- TCP
- UDP
- ICMP
- SCTP
- ESP
- Fragmented IP packets
- Other types of IP packets
- ARP
- Other layer-2 packets that are not ARP packets

The following table lists and describes the HPE options for each traffic type.

Option	Description	Default
<code>enable-shaper {disable </code>	Enable or disable the HPE for the current NP6 processor.	disable

Option	Description	Default
enable}		
tcpsyn-max	Limit the maximum number of TCP SYN packets received per second per host queue. The range is 1000 to 1000000000 pps.	600000
tcpsyn-ack-max	Prevent SYN_ACK reflection attacks by limiting the number of TCP SYN_ACK packets received per second per host queue. The range is 1000 to 1000000000 pps. TCP SYN_ACK reflection attacks consist of an attacker sending large amounts of SYN_ACK packets without first sending SYN packets. These attacks can cause high CPU usage because the firewall assumes that these SYN_ACK packets are the first packets in a session, so the packets are processed by the CPU instead of the NP6 processor.	600000
tcpfin-rst-max	Limit the maximum number of TCP FIN and RST packets received per second per host queue. The range is 1000 to 1000000000 pps.	600000
tcp-max	Limit the maximum number of TCP packets received per second per host queue that are not filtered by <code>tcpsyn-max</code> , <code>tcpsyn-ack-max</code> , or <code>tcpfin-rst-max</code> . The range is 1000 to 1000000000 pps.	600000
udp-max	Limit the maximum number of UDP packets received per second per host queue. The range is 1000 to 1000000000 pps.	600000
icmp-max	Limit the maximum number of ICMP packets received per second per host queue. The range is 1000 to 1000000000 pps.	200000
sctp-max	Limit the maximum number of SCTP packets received per second per host queue. The range is 1000 to 1000000000 pps.	200000
esp-max	Limit the maximum number of ESP packets received per second per host queue. The range is 1000 to 1000000000 pps.	200000
ip-frag-max	Limit the maximum number of fragmented IP packets received per second per host queue. The range is 1000 to 1000000000 pps.	200000
ip-others-max	Limit the maximum number of other types of IP packets received per second per host queue. Other packet types are IP packets that cannot be set with other HPE options. The range is 1000 to 1000000000 pps.	200000
arp-max	Limit the maximum number of ARP packets received per	200000

Option	Description	Default
	second per host queue. The range is 1000 to 1000000000 pps.	
l2-others-max	Limit the maximum number of other layer-2 packets that are not ARP packets received per second per host queue. The range is 1000 to 1000000000 pps. This option limits HA heartbeat, HA session sync, LACP/802.3ad, FortiSwitch heartbeat, and wireless-controller CAPWAP packets.	200000

NP6 HPE and high priority traffic

The NP6 HPE `pri-type-max` option allows you to set a maximum overflow limit for high-priority traffic. The range is 1000 to 1000000000 packets per second per host queue. The default `pri-type-max` setting is 200000.

By default, the high-priority overflow is applied to the following types of traffic that are treated as high-priority by the NP6 processor:

- HA heartbeat
- LACP/802.3ad
- OSPF
- BGP
- IKE
- SLBC
- BFD

The `high-priority` setting adds an overflow for high priority traffic, causing the HPE to allow more of these high priority packets.

The overflow is added to the maximum number of packets allowed by the HPE based on other HPE settings. For example, by default, the HPE limits HA heartbeat traffic to `l2-others-max + pri-type-max` pps, which works out to $200000 + 200000 = 400,000$ packets per second per host queue.

Adjusting NP6 HPE BGP, SLBC, and BFD priorities

Use the following command to adjust the priority of BGP, SLBC, and BFD traffic to control whether the NP6 HPE treats these traffic types as high-priority traffic

```
config system npu
  config priority-protocol
    set bgp {disable | enable}
    set slbc {disable | enable}
    set bfd {disable | enable}
  end
```

By default, all options are set to `enable` and BGP, SLBC, and BFD packets are treated by the HPE as high priority traffic subject to high-priority overflow. In some cases, the overflow can allow excessive amounts of BGP, SLBC, and BFD host traffic that can cause problems such as route flapping and CPU spikes. If you encounter this problem, or for other reasons you can use this command to set BGP, SLBC, or BFD traffic to low priority, bypassing the HPE `pri-type-max`

overflow. For example, if your FortiGate is not processing one or more of these traffic types, you can set them to low priority to limit the amount of the selected type of packets allowed by the HPE.



Changing these traffic types to low priority can cause problems if your FortiGate is actively processing traffic. Fortinet recommends that you make changes with this command during a maintenance window and then monitor your system to make sure its working properly once it gets busy again.

Monitoring NP6 HPE activity

You can use the following command to generate event log messages when the NP6 HPE blocks packets:

```
config monitoring npu-hpe
  set status {enable | disable}
  set interval <integer>
  set multipliers <m1>, <m2>, ... <m12>
end
```

status enable or disable HPE status monitoring.

interval the HPE status check interval, in seconds. The range is 1 to 60 seconds. The default interval is 1 second.

multipliers set 12 multipliers to control how often an event log message is generated for each HPE packet type in the following order:

- **tcpsyn-max** default 4
- **tcpsyn-ack-max** default 4
- **tcpfin-rst-max** default 4
- **tcp-max** default 4
- **udp-max** default 8
- **icmp-max** default 8
- **sctp-max** default 8
- **esp-max** default 8
- **ip-frag-max** default 8
- **ip-others-max** default 8
- **arp-max** default 8
- **l2-others-max** default 8

An event log is generated after every (interval × multiplier) seconds for any HPE type when drops occur for that HPE type. Increase the interval or individual multipliers to generate fewer event log messages.

An attack log is generated after every (4 × multiplier) number of continuous event logs.

Example HPE monitoring configuration

```
config monitoring npu-hpe
  set status enable
  set interval 2
  set multipliers 3 2 2 2 4 4 4 4 4 4 4 4
end
```

Monitor HPE activity without dropping packets

If you have enabled monitoring using the `config monitoring npu-hpe` command, you can use the following command to monitor HPE activity without causing the HPE to drop packets. This can be useful when testing HPE, allowing you to see how many packets the HPE would be dropping without actually affecting traffic.

```
diagnose npu np6 monitor-hpe {disable | enable} <np6-id>
```

This command is disabled by default. If you enable it, the HPE will not drop packets, but if monitoring is enabled, will create log messages for packets that would have been dropped.

Since this is a diagnose command, monitoring the HPE without dropping packets will be disabled when the FortiGate restarts.

Sample HPE event log messages

```
date=2021-01-13 time=16:00:01 eventtime=1610582401563369503 tz="-0800"
logid="0100034418" type="event" subtype="system" level="warning" vd="root" logdesc="NP6
HPE is dropping packets" msg="NPU HPE module is stop dropping packet types of:udp in
NP6_0."
```

```
date=2021-01-13 time=16:00:00 eventtime=1610582400562601540 tz="-0800"
logid="0100034418" type="event" subtype="system" level="warning" vd="root" logdesc="NP6
HPE is dropping packets" msg="NPU HPE module is likely dropping packets of one or more
of these types:udp in NP6_0."
```

```
date=2021-01-13 time=15:59:59 eventtime=1610582399558325686 tz="-0800"
logid="0100034419" type="event" subtype="system" level="critical" vd="root"
logdesc="NP6 HPE under a packets flood" msg="NPU HPE module is likely under attack
of:udp in NP6_0."
```

Displaying NP6 HPE configuration and status information

You can use the following diagnose command to display NP6 HPE configuration and status information for one of the NP6 processors in your FortiGate.

```
diagnose npu np6 hpe 0
```

Queue	Type	NPU-min	NPU-max	CFG-min (pps)	CFG-max (pps)	Pkt-credit
0	tcpsyn	595285	797354	600000	800000	2465962479
0	tcpsyn-ack	595285	797354	600000	800000	1735820781
0	tcpfin-rst	595285	797354	600000	800000	3821949227
0	tcp	595285	797354	600000	800000	1579628705
0	udp	595285	797354	600000	800000	2556292862
0	icmp	199338	199338	200000	200000	2110740782
0	sctp	199338	199338	200000	200000	1608215169
0	esp	199338	199338	200000	200000	2877067841
0	ip-frag	199338	199338	200000	200000	1557653257
0	ip-others	199338	398677	200000	400000	3575419133
0	arp	199338	398677	200000	400000	1232744934
0	l2-others	199338	398677	200000	400000	2335483153

```
-----
HPE HW pkt_credit:20000 , tsref_inv:60000, tsref_gap:4 , np:0, hpe_type_max:200000, hpe_
```



```
ring:6
HPE Dropping      :0000000000000000
```

Configuring individual NP6 processors

You can use the `config system np6` command to configure a wide range of settings for each of the NP6 processors in your FortiGate unit including enabling session accounting and adjusting session timeouts. As well you can set anomaly checking for IPv4 and IPv6 traffic.

For FortiGates with NP6XLite processors, the `config system np6xlite` command has similar options.

For FortiGates with NP6Lite processors, the `config system np6lite` command has similar options.

You can also enable and adjust Host Protection Engine (HPE) to protect networks from DoS attacks by categorizing incoming packets based on packet rate and processing cost and applying packet shaping to packets that can cause DoS attacks.

The settings that you configure for an NP6 processor with the `config system np6` command apply to traffic processed by all interfaces connected to that NP6 processor. This includes the physical interfaces connected to the NP6 processor as well as all subinterfaces, VLAN interfaces, IPsec interfaces, LAGs and so on associated with the physical interfaces connected to the NP6 processor.

```
config system {np6 | np6xlite | np6lite}
  edit <np6-processor-name>
    set low-latency-mode {disable | enable}
    set per-session-accounting {disable | enable | traffic-log-only}
    set session-timeout-random-range <range>
    set garbage-session-collector {disable | enable}
    set session-collector-interval <range>
    set session-timeout-interval <range>
    set session-timeout-random-range <range>
    set session-timeout-fixed {disable | enable}
    config hpe
      set tcpsyn-max <packets-per-second>
      set tcpsyn-ack-max <packets-per-second>
      set tcpfin-rst-max <packets-per-second>
      set tcp-max <packets-per-second>
      set udp-max <packets-per-second>
      set icmp-max <packets-per-second>
      set sctp-max <packets-per-second>
      set esp-max <packets-per-second>
      set ip-frag-max <packets-per-second>
      set ip-others-max <packets-per-second>
      set arp-max <packets-per-second>
      set l2-others-max <packets-per-second>
      set pri-type-max <packets-per-second>
      set enable-shaper {disable | enable}
    config fp-anomaly
      set tcp-syn-fin {allow | drop | trap-to-host}
      set tcp-fin-noack {allow | drop | trap-to-host}
      set tcp-fin-only {allow | drop | trap-to-host}
      set tcp-no-flag {allow | drop | trap-to-host}
      set tcp-syn-data {allow | drop | trap-to-host}
      set tcp-winnuke {allow | drop | trap-to-host}
      set tcp-land {allow | drop | trap-to-host}
```

```

set udp-land {allow | drop | trap-to-host}
set icmp-land {allow | drop | trap-to-host}
set icmp-frag {allow | drop | trap-to-host}
set ipv4-land {allow | drop | trap-to-host}
set ipv4-proto-err {allow | drop | trap-to-host}
set ipv4-unknopt {allow | drop | trap-to-host}
set ipv4-optrr {allow | drop | trap-to-host}
set ipv4-optssrr {allow | drop | trap-to-host}
set ipv4-optlsrr {allow | drop | trap-to-host}
set ipv4-optstream {allow | drop | trap-to-host}
set ipv4-optsecurity {allow | drop | trap-to-host}
set ipv4-opttimestamp {allow | drop | trap-to-host}
set ipv4-csum-err {drop | trap-to-host}
set tcp-csum-err {drop | trap-to-host}
set udp-csum-err {drop | trap-to-host}
set icmp-csum-err {drop | trap-to-host}
set ipv6-land {allow | drop | trap-to-host}
set ipv6-proto-err {allow | drop | trap-to-host}
set ipv6-unknopt {allow | drop | trap-to-host}
set ipv6-saddr-err {allow | drop | trap-to-host}
set ipv6-daddr-err {allow | drop | trap-to-host}
set ipv6-optalert {allow | drop | trap-to-host}
set ipv6-optjumbo {allow | drop | trap-to-host}
set ipv6-opttunnel {allow | drop | trap-to-host}
set ipv6-opthomeaddr {allow | drop | trap-to-host}
set ipv6-optnsap {allow | drop | trap-to-host}
set ipv6-optendpid {allow | drop | trap-to-host}
set ipv6-optinvld {allow | drop | trap-to-host}
end

```

Command syntax

Command	Description	Default
low-latency-mode {disable enable}	Enable low-latency mode. In low latency mode the integrated switch fabric is bypassed. Low latency mode requires that packet enter and exit using the same NP6 processor. This option is only available for NP6 processors that can operate in low-latency mode, currently only np6_0 and np6_1 on the FortiGate 3700D and DX.	disable
per-session-accounting {disable enable traffic-log-only}	Disable NP6 per-session accounting or enable it and control how it works. If set to traffic-log-only (the default) NP6 per-session accounting is only enabled if firewall policies accepting offloaded traffic have traffic logging enabled. If set to enable, NP6 per-session accounting is always enabled for all traffic offloaded by the NP6 processor. Enabling per-session accounting can affect performance.	traffic-log-only
garbage-session-collector {disable enable}	Enable deleting expired or garbage sessions.	disable

Command	Description	Default
<code>session-collector-interval</code> <range>	Set the expired or garbage session collector time interval in seconds. The range is 1 to 100 seconds.	64
<code>session-timeout-interval</code> <range>	Set the timeout for checking for and removing inactive NP6 sessions. The range is 0 to 1000 seconds.	40
<code>session-timeout-random-range</code> <range>	Set the random timeout for checking and removing inactive NP6 sessions. The range is 0 to 1000 seconds. For more information, see Configuring NP6 session timeouts on page 63 .	8
<code>session-timeout-fixed</code> {disable enable}	Enable to force checking for and removing inactive NP6 sessions at the <code>session-timeout-interval</code> time interval. Set to disable (the default) to check for and remove inactive NP6 sessions at random time intervals. For more information, see Configuring NP6 session timeouts on page 63 .	disable
config hpe	See NP6 HPE host protection engine on page 49 .	
config fp-anomaly		
<code>fp-anomaly</code>	Configure how the NP6 processor performs traffic anomaly protection. In most cases you can configure the NP6 processor to allow or drop the packets associated with an attack or forward the packets that are associated with the attack to FortiOS (called <code>trap-to-host</code>). Selecting <code>trap-to-host</code> turns off NP6 anomaly protection for that anomaly. If you require anomaly protection but don't want to use the NP6 processor, you can select <code>trap-to-host</code> and enable anomaly protection with a DoS policy.	
<code>tcp-syn-fin</code> {allow drop trap-to-host}	Detects TCP SYN flood SYN/FIN flag set anomalies.	allow
<code>tcp-fin-noack</code> {allow drop trap-to-host}	Detects TCP SYN flood with FIN flag set without ACK setting anomalies.	trap-to-host
<code>tcp-fin-only</code> {allow drop trap-to-host}	Detects TCP SYN flood with only FIN flag set anomalies.	trap-to-host
<code>tcp-no-flag</code> {allow drop trap-to-host}	Detects TCP SYN flood with no flag set anomalies.	allow
<code>tcp-syn-data</code> {allow drop trap-to-host}	Detects TCP SYN flood packets with data anomalies.	allow
<code>tcp-winnuke</code> {allow drop trap-to-host}	Detects TCP WinNuke anomalies.	trap-to-host
<code>tcp-land</code> {allow drop trap-to-host}	Detects TCP land anomalies.	trap-to-host
<code>udp-land</code> {allow drop	Detects UDP land anomalies.	trap-to-host

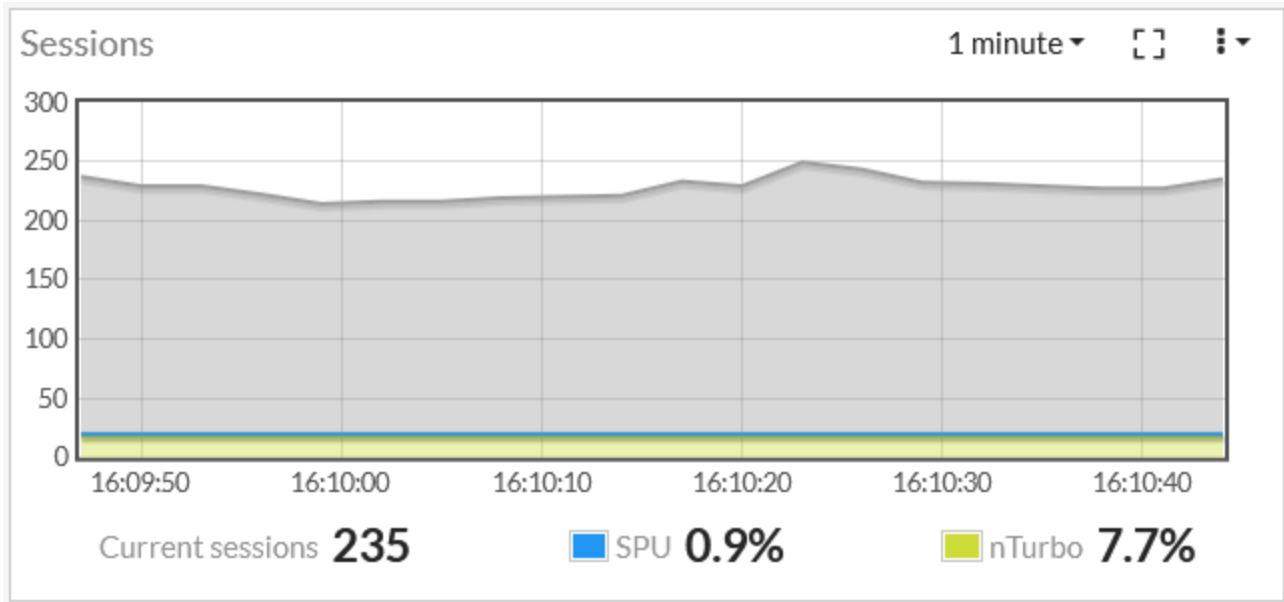
Command	Description	Default
trap-to-host}		
icmp-land {allow drop trap-to-host}	Detects ICMP land anomalies.	trap-to-host
icmp-frag {allow drop trap-to-host}	Detects Layer 3 fragmented packets that could be part of a layer 4 ICMP anomalies.	allow
ipv4-land {allow drop trap-to-host}	Detects IPv4 land anomalies.	trap-to-host
ipv4-proto-err {allow drop trap-to-host}	Detects invalid layer 4 protocol anomalies. For information about the error codes that are produced by setting this option to drop, see NP6 anomaly error codes .	trap-to-host
ipv4-unknopt {allow drop trap-to-host}	Detects unknown option anomalies.	trap-to-host
ipv4-optrr {allow drop trap-to-host}	Detects IPv4 with record route option anomalies.	trap-to-host
ipv4-optssrr {allow drop trap-to-host}	Detects IPv4 with strict source record route option anomalies.	trap-to-host
ipv4-optlsrr {allow drop trap-to-host}	Detects IPv4 with loose source record route option anomalies.	trap-to-host
ipv4-optstream {allow drop trap-to-host}	Detects stream option anomalies.	trap-to-host
ipv4-optsecurity {allow drop trap-to-host}	Detects security option anomalies.	trap-to-host
ipv4-opttimestamp {allow drop trap-to-host}	Detects timestamp option anomalies.	trap-to-host
ipv4-csum-err {drop trap-to-host}	Detects IPv4 checksum errors.	drop
tcp-csum-err {drop trap-to-host}	Detects TCP checksum errors.	drop
udp-csum-err {drop trap-to-host}	Detects UDP checksum errors.	drop
icmp-csum-err {drop trap-to-host}	Detects ICMP checksum errors.	drop
ipv6-land {allow drop trap-to-host}	Detects IPv6 land anomalies	trap-to-host
ipv6-unknopt {allow drop trap-to-host}	Detects unknown option anomalies.	trap-to-host

Command	Description	Default
<code>ipv6-saddr-err {allow drop trap-to-host}</code>	Detects source address as multicast anomalies.	trap-to-host
<code>ipv6-daddr-err {allow drop trap-to-host}</code>	Detects destination address as unspecified or loopback address anomalies.	trap-to-host
<code>ipv6-optralert {allow drop trap-to-host}</code>	Detects router alert option anomalies.	trap-to-host
<code>ipv6-optjumbo {allow drop trap-to-host}</code>	Detects jumbo options anomalies.	trap-to-host
<code>ipv6-opttunnel {allow drop trap-to-host}</code>	Detects tunnel encapsulation limit option anomalies.	trap-to-host
<code>ipv6-opthomeaddr {allow drop trap-to-host}</code>	Detects home address option anomalies.	trap-to-host
<code>ipv6-optnsap {allow drop trap-to-host}</code>	Detects network service access point address option anomalies.	trap-to-host
<code>ipv6-optendpid {allow drop trap-to-host}</code>	Detects end point identification anomalies.	trap-to-host
<code>ipv6-optinvld {allow drop trap-to-host}</code>	Detects invalid option anomalies.	trap-to-host

Per-session accounting for offloaded NP6, NP6XLite, and NP6Lite sessions

Per-session accounting is a logging feature that allows the FortiGate to report the correct bytes/pkt numbers per session for sessions offloaded to an NP6, NP6XLite, or NP6Lite processor. This information appears in traffic log messages as well as in FortiView. The following example shows the Sessions dashboard widget tracking SPU and nTurbo sessions.

Current sessions shows the total number of sessions, **SPU** shows the percentage of these sessions that are SPU sessions and **Nturbo** shows the percentage that are nTurbo sessions.



You can hover over the SPU icon to see some information about the offloaded sessions.

You configure per-session accounting for each NP6 processor. For example, use the following command to enable per-session accounting for NP6_0 and NP6_1:

```
config system np6
  edit np6_0
    set per-session-accounting traffic-log-only
  next
  edit np6_1
    set per-session-accounting traffic-log-only
end
```

You configure per-session accounting for each NP6XLite processor. For example, use the following command to enable per-session accounting for np6xlite_0:

```
config system np6xlite
  edit np6xlite_0
    set per-session-accounting traffic-log-only
end
```

If your FortiGate has NP6Lite processors, you can use the following command to enable per-session accounting for all of the NP6Lite processors in the FortiGate unit:

```
config system npu
  set per-session-accounting traffic-log-only
end
```

The option `traffic-log-only` enables per-session accounting for offloaded sessions with traffic logging.

The option `enable` enables per-session accounting for all offloaded sessions.

By default, `per-session-accounting` is set to `traffic-log-only`, which results in per-session accounting being turned on when you enable traffic logging in a policy.

Per-session accounting can affect offloading performance. So you should only enable per-session accounting if you need the accounting information.

Enabling per-session accounting does not provide traffic flow data for sFlow or NetFlow.

Multicast per-session accounting

Some FortiGates with NP6 processors include the following command to configure multicast session accounting:

```
config system npu
  set mcast-session-accounting {tpe-based | session-based | disable}
end
```

`tpe-based` (the default) enables TPE-based multicast session accounting. TPE is the NP6 accounting and traffic shaping module. In most cases, if you want multicast session accounting, you should select `tpe-based` for optimal performance and reliability. This setting may be incompatible with some traffic. If problems such as packet order issues occur, you can disable multicast session accounting or select `session-based` multicast accounting.

`session-based` enables session-based multicast session accounting.

`disable` disables multicast session accounting.

Generally speaking, session-based accounting has better performance than TPE-based when there are high number of multicast sessions (on the order of 7,000 sessions, depending on network and other conditions).

TPE-based accounting generally can have better performance when there are a fewer multicast sessions with very high throughput.

Some FortiGate models support the following command to enable or disable multicast session accounting. For these models, multicast session accounting is enabled by default:

```
config system npu
  set mcast-session-counting {disable | enable}
  set mcast-session-counting6 {disable | enable}
end
```

Configuring NP6 session timeouts

For NP6 traffic, FortiOS refreshes an NP6 session's lifetime when it receives a session update message from the NP6 processor. To avoid session update message congestion, these NP6 session checks are performed all at once after a random time interval and all of the update messages are sent from the NP6 processor to FortiOS at once. This can result in fewer messages being sent because they are only sent at random time intervals instead of every time a session times out.

In fact, if your NP6 processor is processing a lot of short lived sessions, it is recommended that you use the default setting of random checking every 8 seconds to avoid very bursty session updates. If the time between session updates is very long and very many sessions have been expired between updates a large number of updates will need to be done all at once.

You can use the following command to set the random time range.

```
config system {np6 | np6xlite}
  edit <np6-processor-name>
    set session-timeout-fixed disable
    set session-timeout-random-range 8
  end
```

This is the default configuration. The random timeout range is 1 to 1000 seconds and the default range is 8. So, by default, NP6 sessions are checked at random time intervals of between 1 and 8 seconds. So sessions can be inactive for up to 8 seconds before they are removed from the FortiOS session table.

If you want to reduce the amount of checking you can increase the `session-timeout-random-range`. This could result in inactive sessions being kept in the session table longer. But if most of your NP6 sessions are relatively long this shouldn't be a problem.

You can also change this session checking to a fixed time interval and set a fixed timeout:

```
config system {np6 | np6xlite}
  edit <np6-processor-name>
    set session-timeout-fixed enable
    set session-timeout-interval 40
  end
```

The fixed timeout default is every 40 seconds and the range is 1 to 1000 seconds. Using a fixed interval further reduces the amount of checking that occurs.

You can select random or fixed updates and adjust the time intervals to minimize the refreshing that occurs while still making sure inactive sessions are deleted regularly. For example, if an NP6 processor is processing sessions with long lifetimes you can reduce checking by setting a relatively long fixed timeout.

Configure the number of IPsec engines NP6 processors use

NP6 processors use multiple IPsec engines to accelerate IPsec encryption and decryption. In some cases out of order ESP packets can cause problems if multiple IPsec engines are running. To resolve this problem you can configure all of the NP6 processors to use fewer IPsec engines.

Use the following command to change the number of IPsec engines used for decryption (`ipsec-dec-subengine-mask`) and encryption (`ipsec-enc-subengine-mask`). These settings are applied to all of the NP6 processors in the FortiGate unit.

```
config system npu
  set ipsec-dec-subengine-mask <engine-mask>
  set ipsec-enc-subengine-mask <engine-mask>
end
```

`<engine-mask>` is a hexadecimal number in the range 0x01 to 0xff where each bit represents one IPsec engine. The default `<engine-mask>` for both options is 0xff which means all IPsec engines are used. Add a lower `<engine-mask>` to use fewer engines. You can configure different engine masks for encryption and decryption.

Stripping clear text padding and IPsec session ESP padding

In some situations, when clear text or ESP packets in IPsec sessions may have large amounts of layer 2 padding, the NP6 IPsec engine may not be able to process them and the session may be blocked.

If you notice dropped IPsec sessions, you could try using the following CLI options to cause the NP6 processor to strip clear text padding and ESP padding before send the packets to the IPsec engine. With padding stripped, the session can be processed normally by the IPsec engine.

Use the following command to strip ESP padding:


```
config system npu
  set strip-esp-padding enable
  set strip-clear-text-padding enable
end
```

Stripping clear text and ESP padding are both disabled by default.

Disabling NP6 and NP6XLite CAPWAP offloading

By default and where possible, managed FortiAP and FortiLink CAPWAP sessions are offloaded to NP6 and NP6XLite processors. You can use the following command to disable CAPWAP session offloading:

```
config system npu
  set capwap-offload disable
end
```

Optionally disable NP6 offloading of traffic passing between 10Gbps and 1Gbps interfaces

Due to NP6 internal packet buffer limitations, some offloaded packets received at a 10Gbps interface and destined for a 1Gbps interface can be dropped, reducing performance for TCP and IP tunnel traffic. If you experience this performance reduction, you can use the following command to disable offloading sessions passing from 10Gbps interfaces to 1Gbps interfaces:

```
config system npu
  set host-shortcut-mode host-shortcut
end
```

Select `host-shortcut` to stop offloading TCP and IP tunnel packets passing from 10Gbps interfaces to 1Gbps interfaces. TCP and IP tunnel packets passing from 1Gbps interfaces to 10Gbps interfaces are still offloaded as normal.

If `host-shortcut` is set to the default `bi-directional` setting, packets in both directions are offloaded.

This option is only available if your FortiGate has 10G and 1G interfaces accelerated by NP6 processors.

Offloading RDP traffic

FortiOS supports NP6 offloading of Reliable Data Protocol (RDP) traffic. RDP is a network transport protocol that optimizes remote loading, debugging, and bulk transfer of images and data. RDP traffic uses Assigned Internet Protocol number 27 and is defined in [RFC 908](#) and updated in [RFC 1151](#). If your network is processing a lot of RDP traffic, offloading it can improve overall network performance.

You can use the following command to enable or disable NP6 RDP offloading. RDP offloading is enabled by default.

```
config system npu
  set rdp-offload {disable | enable}
end
```

NP6 session drift

In some cases, sessions processed by NP6 processors may fail to be deleted leading to a large number of idle or orphaned sessions. This is called session drift. You can use SNMP to be alerted when the number of idle sessions becomes high. SNMP also allows you to see which NP6 processor has the abnormal number of idle sessions and you can use a diagnose command to delete them.

The following MIB fields allow you to use SNMP to monitor session table information for NP6 processors including drift for each NP6 processor:

```
FORTINET-FORTIGATE-MIB::fgNPUNumber.0 = INTEGER: 2
FORTINET-FORTIGATE-MIB::fgNPUName.0 = STRING: NP6
FORTINET-FORTIGATE-MIB::fgNPUDrvDriftSum.0 = INTEGER: 0
FORTINET-FORTIGATE-MIB::fgNPUIndex.0 = INTEGER: 0
FORTINET-FORTIGATE-MIB::fgNPUIndex.1 = INTEGER: 1
FORTINET-FORTIGATE-MIB::fgNPUSessionTblSize.0 = Gauge32: 33554432
FORTINET-FORTIGATE-MIB::fgNPUSessionTblSize.1 = Gauge32: 33554432
FORTINET-FORTIGATE-MIB::fgNPUSessionCount.0 = Gauge32: 0
FORTINET-FORTIGATE-MIB::fgNPUSessionCount.1 = Gauge32: 0
FORTINET-FORTIGATE-MIB::fgNPUDrvDrift.0 = INTEGER: 0
FORTINET-FORTIGATE-MIB::fgNPUDrvDrift.1 = INTEGER: 0
```

You can also use the following diagnose command to determine if drift is occurring. The command output shows a drift summary for all the NP6 processors in the FortiGate, and shows the total drift. The following example command output, from a FortiGate 1500D, shows that the two NP6 processors in the FortiGate-1500D are not experiencing any drift.

```
diagnose npu np6 sse-drift-summary
NPU   drv-drift
-----
np6_0 0
np6_1 0
-----
Sum   0
-----
```

For the best results you should restart your FortiGate to remove orphaned sessions causing session drift. However, the following command can be a useful workaround until you are able to reboot the FortiGate or if you troubleshooting an issue and want to remove orphaned sessions.

```
diagnose npu np6 sse-purge-drift <np6_id> [<time>]
```

Where <np6_id> is the number (starting with NP6_0 with a np6_id of 0) of the NP6 processor for which to delete idle sessions in.

<time> is the time in seconds during which the NP6 processor attempts to delete orphaned sessions. The default time is 300 seconds.

The command instructs the selected NP6 processor to scan session tables and delete (or purge) orphaned sessions, which are sessions that have been idle for a long time. During the session purge, traffic may be disrupted. The longer the purge time, the longer the amount of time that a disruption might occur.

The command purges all orphaned sessions during the specified time and you only have to execute the command once to purge all orphaned sessions.

In most cases the NP6 processor should recover and continue working normally after the purge. In rare cases, the NP6 processor may not be able to recover successfully after the purge and you may need to restart the FortiGate.

Optimizing FortiGate 3960E and 3980E IPsec VPN performance

You can use the following command to configure outbound hashing to improve IPsec VPN performance for the FortiGate 3960E and 3980E. If you change these settings, to make sure they take affect, you should reboot your device.

```
config system np6
  edit np6_0
    set ipsec-outbound-hash {disable | enable}
    set ipsec-ob-hash-function {switch-group-hash | global- hash | global-hash-weighted |
      round-robin-switch-group | round-robin-global}
  end
```

Where:

`ipsec-outbound-hash` is disabled by default. If you enable it you can set `ipsec-ob-hash-function` as follows:

`switch-group-hash` (the default) distribute outbound IPsec Security Association (SA) traffic to NP6 processors connected to the same switch as the interfaces that received the incoming traffic. This option, keeps all traffic on one switch and the NP6 processors connected to that switch, to improve performance.

`global-hash` distribute outbound IPsec SA traffic among all NP6 processors.

`global-hash-weighted` distribute outbound IPsec SA traffic from switch 1 among all NP6 processors with more sessions going to the NP6s connected to switch 0. This options is only recommended for the FortiGate 3980E because it is designed to weigh switch 0 higher to send more sessions to switch 0 which on the FortiGate 3980E has more NP6 processors connected to it. On the FortiGate 3960E, both switches have the same number of NP6s so for best performance one switch shouldn't have a higher weight.

`round-robin-switch-group` round-robin distribution of outbound IPsec SA traffic among the NP6 processors connected to the same switch.

`round-robin-global` round-robin distribution of outbound IPsec SA traffic among all NP6 processors.

FortiGate 3960E and 3980E support for high throughput traffic streams

FortiGate devices with multiple NP6 processors support high throughput by distributing sessions to multiple NP6 processors. However, default ISF hash-based load balancing has some limitations for single traffic streams or flows that use more than 10Gbps of bandwidth. Normally, the ISF sends all of the packets in a single traffic stream over the same 10Gbps interface to an NP6 processor. If a single traffic stream is larger than 10Gbps, packets are also sent to 10Gbps interfaces that may be connected to the same NP6 or to other NP6s. Because the ISF uses hash-based load balancing, this can lead to packets being processed out of order and other potential drawbacks.

You can configure the FortiGate 3960E and 3980E to support single traffic flows that are larger than 10Gbps. To enable this feature, you can assign interfaces to round robin groups using the following configuration. If you assign an interface to a Round Robin group, the ISF uses round-robin load balancing to distribute incoming traffic from one stream to multiple NP6 processors. Round-robin load balancing prevents the potential problems associated with hash-based load balancing of packets from a single stream.

```
config system npu
  config port-npu-map
    edit <interface>
      set npu-group-index <npu-group>
```

```

    end
end

```

<interface> is the name of an interface that receives or sends large traffic streams.

<npu-group> is the number of an NPU group. To enable round-robin load balancing select a round-robin NPU group. Use ? to see the list of NPU groups. The output shows which groups support round robin load balancing. For example, the following output shows that NPU group 30 supports round robin load balancing to NP6 0 to 7.

```

set npu-group-index ?
index: npu group
0 : NP#0-7
2 : NP#0
3 : NP#1
4 : NP#2
5 : NP#3
6 : NP#4
7 : NP#5
8 : NP#6
9 : NP#7
10 : NP#0-1
11 : NP#2-3
12 : NP#4-5
13 : NP#6-7
14 : NP#0-3
15 : NP#4-7
30 : NP#0-7 - Round Robin

```

For example, use the following command to assign port1, port2, port17 and port18 to NPU group 30.

```

config system npu
  config port-npu-map
    edit port1
      set npu-group-index 30
    next
    edit port2
      set npu-group-index 30
    next
    edit port7
      set npu-group-index 30
    next
    edit port18
      set npu-group-index 30
    next
  end
end

```

Recalculating packet checksums if the iph.reserved bit is set to 0

NP6 processors clear the iph.flags.reserved bit. This results in the packet checksum becoming incorrect because by default the packet is changed but the checksum is not recalculated. Since the checksum is incorrect these packets may be dropped by the network stack. You can enable this option to cause the system to re-calculate the checksum. Enabling this option may cause a minor performance reduction. This option is disabled by default.

To enable checksum recalculation for packets with the iph.flags.reserved header:

```
config system npu
  set iph-rsvd-re-cksum enable
end
```

NP6 IPsec engine status monitoring

Use the following command to configure NP6 IPsec engine status monitoring.

```
config monitoring np6-ipsec-engine
  set status enable
  set interval 5
  set threshold 10 10 8 8 6 6 4 4
end
```

Use this command to configure NP6 IPsec engine status monitoring. NP6 IPsec engine status monitoring writes a system event log message if the IPsec engines in an NP6 processor become locked after receiving malformed packets.

If an IPsec engine becomes locked, that particular engine can no longer process IPsec traffic, reducing the capacity of the NP6 processor. The only way to recover from a locked IPsec engine is to restart the FortiGate device. If you notice an IPsec performance reduction over time on your NP6 accelerated FortiGate device, you could enable NP6 IPsec engine monitoring and check log messages to determine if your NP6 IPsec engines are becoming locked.

To configure IPsec engine status monitoring you set status to enable and then configure the following options:

`interval`

Set the IPsec engine status check time interval in seconds (range 1 to 60 seconds, default = 1).

`threshold <np6_0-threshold> <np6_1-threshold>...<np6_7-threshold>`

Set engine status check thresholds. An NP6 processor has eight IPsec engines and you can set a threshold for each engine. NP6 IPsec engine status monitoring regularly checks the status of all eight engines in all NP6 processors in the FortiGate device.

Each threshold can be an integer between 1 and 255 and represents the number of times the NP6 IPsec engine status check detects that the NP6 processor is busy before generating a log message.

The default thresholds are 15 15 12 12 8 8 5 5. Any IPsec engine exceeding its threshold triggers the event log message. The default interval and thresholds have been set to work for most network topologies based on a balance of timely reporting a lock-up and accuracy and on how NP6 processors distribute sessions to their IPsec engines. The default settings mean:

- If engine 1 or 2 are busy for 15 checks (15 seconds) trigger an event log message.
- If engine 3 or 4 are busy for 12 checks (15 seconds) trigger an event log message.
- And so on.

NP6 IPsec engine monitoring writes three levels of log messages:

- Information if an IPsec engine is found to be busy.
- Warning if an IPsec engine exceeds a threshold.
- Critical if a lockup is detected, meaning an IPsec engine continues to exceed its threshold.

The log messages include the NP6 processor and engine affected.

Interface to CPU mapping

In some cases, packets in a multicast traffic stream with fragmented packets can be forwarded by the FortiGate in the wrong order. This can happen if different CPU cores are processing different packets from the same multicast stream. If you notice this problem, on some FortiGates with NP6 processors you can use the following command to configure the FortiGate to send all traffic received by an interface to the same CPU core.

```
config system npu
  config port-cpu-map
    edit <interface-name>
      set cpu-core <core-number>
    end
```

Where:

<interface-name> is the name of the interface to map to a CPU core. You can map any interface connected to an NP6 processor to a CPU core.

<core-number> is the number of the CPU core to map to the interface. Use ? to see the list of available CPU cores. You can map one CPU core to an interface. The default setting is `all`, which maps the traffic to all CPU cores.

Allowing offloaded IPsec packets that exceed the interface MTU

In some cases, encrypted IPsec packets offloaded to NP6 processors may be larger than unencrypted packets. When this happens, the packets may be blocked or fragmented by the exiting IPsec VPN interface if the encrypted packet size exceeds the MTU value of the IPsec VPN interface. This can happen even if `mtu-override` is enabled for the interface.

You can use the following option to allow offloaded IPsec packets that exceed the MTU value of the exiting interface to be allowed without fragmentation.

```
config system npu
  set ipsec-mtu-override enable
end
```

Configuring the QoS mode for NP6-accelerated traffic

If you have a FortiGate with multiple NP6 processors and an internal switch fabric (ISF), you can use the following command to configure the QoS mode to control how the ISF distributes traffic to the NP6 processors:

```
config system npu
  set qos-mode {disable | priority | round-robin}
end
```

Where:

`disable` (the default setting) disables QoS for NP6-accelerated traffic.

`priority` uses priority-based QoS that is applied to ingress and egress traffic based on the traffic CoS value. Traffic with a higher CoS value has a higher QoS priority.

`round-robin` applies round-robin or bandwidth control distribution to ingress traffic only based on the traffic CoS value. This mode helps smooth out incoming burst traffic by distributing traffic evenly among the NP6 processors.

Recovering from an internal link failure

Some FortiGate models with NP6 processors include the following option that can help your FortiGate recover from an internal link failure:

```
config system npu
    set recover-np6-link {disable | enable}
end
```

This command is available on several FortiGate models, including the 1200D, 1500D, 1500DT, 3000D, 3100D, and 3200D.

In some configurations with aggregate interfaces, an internal link failure can occur on some FortiGate models. This failure can cause one of the aggregate interface members to transmit irregular LACP packets. You can recover from this failure by enabling `recover-np6-link` and restarting the FortiGate. Every time the FortiGate restarts, this command checks for and recovers from any internal link failures that it finds.

Enabling this option may cause the FortiGate to take slightly longer to start up but should not affect performance.

Offloading UDP-encapsulated ESP traffic

You can use the following command to enable or disable NP6 offloading of UDP-encapsulated ESP traffic on port 4500.

```
config system npu
    set uesp-offload {disable | enable}
end
```

Enable to offload UDP traffic with a destination port of 4500 (ESP-in-UDP traffic). This option is disabled by default.

In addition to enabling this option, to make sure UDP-encapsulated ESP traffic can be offloaded successfully, you should disable IPsec anti-replay protection and use large MTU check values in NAT-traversal sessions to avoid fragmented packets and MTU exceptions.

NP6 get and diagnose commands

This section describes some `get` and `diagnose` commands you can use to display useful information about the NP6 processors sessions processed by NP6 processors.

get hardware npu np6

You can use the `get hardware npu np6` command to display information about the NP6 processors in your FortiGate and the sessions they are processing. This command contains a subset of the options available from the `diagnose npu np6` command. The command syntax is:

```
get hardware npu np6 {dce <np6-id> | ipsec-stats | port-list | session-stats <np6-id> | sse-  
stats <np6-id> | synproxy-stats}
```

`<np6-id>` identifies the NP6 processor. 0 is `np6_0`, 1 is `np6_1` and so on.

`dce` show NP6 non-zero sub-engine drop counters for the selected NP6.

`ipsec-stats` show overall NP6 IPsec offloading statistics.

`port-list` show the mapping between the FortiGate physical interfaces and NP6 processors.

`session-stats` show NP6 session offloading statistics counters for the selected NP6.

`sse-stats` show hardware session statistics counters.

`synproxy-stats` show overall NP6 synproxy statistics for TCP connections identified as being syn proxy DoS attacks.

diagnose npu np6

The `diagnose npu np6` command displays extensive information about NP6 processors and the sessions that they are processing. Some of the information displayed can be useful for understanding the NP6 configuration, seeing how sessions are being processed and diagnosing problems. Some of the commands may only be useful for Fortinet software developers. The command syntax is:

```
diagnose npu np6 {options}
```

The following options are available:

`fastpath {disable | enable} <np6-od>` enable or disable fastpath processing for a selected NP6.

`dce` shows NP6 non-zero sub-engine drop counters for the selected NP6.

`dce-all` show all subengine drop counters.

`anomaly-drop` show non-zero L3/L4 anomaly check drop counters.

`anomaly-drop-all` show all L3/L4 anomaly check drop counters.

`hrx-drop` show non-zero host interface drop counters.

`hrx-drop-all` show all host interface drop counters.

`session-stats` show session offloading statistics counters.

`session-stats-clear` clear session offloading statistics counters.
`sse-stats` show hardware session statistics counters.
`sse-stats-clear` show hardware session statistics counters.
`pdq` show packet buffer queue counters.
`xgmac-stats` show XGMAC MIBs counters.
`xgmac-stats-clear` clear XGMAC MIBS counters.
`port-list` show port list.
`ipsec-stats` show IPsec offloading statistics.
`ipsec-stats-clear` clear IPsec offloading statistics.
`eeeprom-read` read NP6 EEPROM.
`npu-feature` show NPU feature and status.
`register` show NP6 registers.
`fortilink` configure managed FortiSwitch.
`synproxy-stats` show synproxy statistics.

diagnose npu np6 npu-feature (verify enabled NP6 features)

You can use the `diagnose npu np6 npu-feature` command to see the NP6 features that are enabled on your FortiGate and those that are not.

The following command output, from a FortiGate 1500D, shows the default NP6 configuration for most FortiGates with NP6 processors:

```

diagnose npu np6 npu-feature
-----
np_0      np_1
-----
Fastpath      Enabled      Enabled
HPE-type-shaping Disabled    Disabled
Standalone    No           No
IPv4 firewall Yes         Yes
IPv6 firewall Yes         Yes
IPv4 IPsec    Yes         Yes
IPv6 IPsec    Yes         Yes
IPv4 tunnel   Yes         Yes
IPv6 tunnel   Yes         Yes
GRE tunnel    No           No
GRE passthrough Yes        Yes
IPv4 Multicast Yes         Yes
IPv6 Multicast Yes         Yes
CAPWAP        Yes         Yes
RDP Offload   Yes         Yes
  
```

If you use the following command to disable fastpath:

```

config system npu
  set fastpath disable
end
  
```

The `npu-feature` command output shows this configuration change:

```
diagnose npu np6 npu-feature
-----
                np_0      np_1
-----
Fastpath          Disabled  Disabled
HPE-type-shaping  Disabled  Disabled
Standalone        No         No
IPv4 firewall     Yes       Yes
IPv6 firewall     Yes       Yes
IPv4 IPSec        Yes       Yes
IPv6 IPSec        Yes       Yes
IPv4 tunnel       Yes       Yes
IPv6 tunnel       Yes       Yes
GRE tunnel        No        No
GRE passthrough   Yes       Yes
IPv4 Multicast    Yes       Yes
IPv6 Multicast    Yes       Yes
CAPWAP           Yes       Yes
RDP Offload       Yes       Yes
```

diagnose npu np6xlite npu-feature (verify enabled NP6Lite features)

You can use the `diagnose npu np6xlite npu-feature` command to see the NP6XLite features that are enabled on your FortiGate and those that are not.

The following command output, from a FortiGate 60F, shows the default NP6XLite configuration for most FortiGates with NP6XLite processors:

```
diagnose npu np6xlite npu-feature
-----
                np_0
-----
Fastpath          Enabled
HPE-type-shaping  Disabled
IPv4 firewall     Yes
IPv6 firewall     Yes
IPv4 IPSec        Yes
IPv6 IPSec        Yes
IPv4 tunnel       Yes
IPv6 tunnel       Yes
GRE passthrough   Yes
IPv4 Multicast    Yes
IPv6 Multicast    Yes
CAPWAP           Yes
```

If you use the following commands to disable fastpath:

```
config system np6xlite
  edit np6xlite_0
    set fastpath disable
  end
```

The `npu-feature` command output show this configuration change:

```
diagnose npu np6xlite npu-feature
-----
                np_0
-----
```

Fastpath	Disabled
HPE-type-shaping	Disabled
IPv4 firewall	Yes
IPv6 firewall	Yes
IPv4 IPSec	Yes
IPv6 IPSec	Yes
IPv4 tunnel	Yes
IPv6 tunnel	Yes
GRE passthrough	Yes
IPv4 Multicast	Yes
IPv6 Multicast	Yes
CAPWAP	Yes

diagnose npu np6lite npu-feature (verify enabled NP6Lite features)

You can use the `diagnose npu np6lite npu-feature` command to see the NP6Lite features that are enabled on your FortiGate and those that are not.

The following command output, from a FortiGate 200E, shows the default NP6Lite configuration for most FortiGates with NP6Lite processors:

```
diagnose npu np6 npu-feature
                np_0      np_1
-----
Fastpath        Enabled   Enabled
IPv4 firewall   Yes       Yes
IPv6 firewall   Yes       Yes
IPv4 IPSec      Yes       Yes
IPv6 IPSec      Yes       Yes
IPv4 tunnel     Yes       Yes
IPv6 tunnel     Yes       Yes
GRE tunnel      No        No
```

If you use the following command to disable fastpath:

```
config system npu
  set fastpath disable
end
```

The `npu-feature` command output show this configuration change:

```
diagnose npu np6 npu-feature
                np_0      np_1
-----
Fastpath        Disabled  Disabled
IPv4 firewall   Yes       Yes
IPv6 firewall   Yes       Yes
IPv4 IPSec      Yes       Yes
IPv6 IPSec      Yes       Yes
IPv4 tunnel     Yes       Yes
IPv6 tunnel     Yes       Yes
GRE tunnel      No        No
```

diagnose sys session/session6 list (view offloaded sessions)

The `diagnose sys session list` and `diagnose sys session6 list` commands list all of the current IPv4 or IPv6 sessions being processed by the FortiGate. For each session the command output includes an `npu info` line that displays NPx offloading information for the session. If a session is not offloaded the command output includes a `no_ofld_reason` line that indicates why the session was not offloaded.

Displaying NP6 offloading information for a session

The `npu info` line of the `diagnose sys session list` command includes information about the offloaded session that indicates the type of processor and whether its IPsec or regular traffic:

- `offload=8/8` for NP6 sessions.
- `flag 0x81` means regular traffic.
- `flag 0x82` means IPsec traffic.

Example offloaded IPv4 NP6 session

The following session output by the `diagnose sys session list` command shows an offloaded session. The information in the `npu info` line shows this is a regular session (`flag=0x81/0x81`) that is offloaded by an NP6 processor (`offload=8/8`).

```
diagnose sys session list
session info: proto=6 proto_state=01 duration=4599 expire=2753 timeout=3600 flags=00000000
sockflag=00000000 sockport=0 av_idx=0 use=3
origin-shaper=
reply-shaper=
per_ip_shaper=
ha_id=0 policy_dir=0 tunnel=/ vlan_cos=0/255
state=log may_dirty npu none log-start
statistic(bytes/packets/allow_err): org=1549/20/1 reply=1090/15/1 tuples=2
speed(Bps/kbps): 0/0
origin->sink: org pre->post, reply pre->post dev=15->17/17->15
gwy=172.20.121.2/5.5.5.33
hook=post dir=org act=snat 5.5.5.33:60656->91.190.218.66:12350 (172.20.121.135:60656)
hook=pre dir=reply act=dnat 91.190.218.66:12350->172.20.121.135:60656 (5.5.5.33:60656)
pos/(before,after) 0/(0,0), 0/(0,0)
src_mac=98:90:96:af:89:b9
misc=0 policy_id=1 auth_info=0 chk_client_info=0 vd=0
serial=00058b9c tos=ff/ff app_list=0 app=0 url_cat=0
dd_type=0 dd_mode=0
npu_state=0x000c00
npu info: flag=0x81/0x81, offload=8/8, ips_offload=0/0, epid=140/138, ipid=138/140,
vlan=0x0000/0x0000
vlifid=138/140, vtag_in=0x0000/0x0000 in_npu=1/1, out_npu=1/1, fwd_en=0/0, qid=0/2
```

Example IPv4 session that is not offloaded

The following session, output by the `diagnose sys session list` command includes the `no_ofld_reason` line that indicates that the session was not offloaded because it is a local-in session.

```
session info: proto=6 proto_state=01 duration=19 expire=3597 timeout=3600
flags=00000000 sockflag=00000000 sockport=0 av_idx=0 use=3
origin-shaper=
reply-shaper=
per_ip_shaper=
ha_id=0 policy_dir=0 tunnel=/ vlan_cos=8/8
state=local may_dirty
statistic(bytes/packets/allow_err): org=6338/15/1 reply=7129/12/1 tuples=2
speed(Bps/kbps): 680/5
origin->sink: org pre->in, reply out->post dev=15->50/50->15 gwy=5.5.5.5/0.0.0.0
hook=pre dir=org act=noop 5.5.5.33:60567->5.5.5.5:443(0.0.0.0:0)
hook=post dir=reply act=noop 5.5.5.5:443->5.5.5.33:60567(0.0.0.0:0)
pos/(before,after) 0/(0,0), 0/(0,0)
src_mac=98:90:96:af:89:b9
misc=0 policy_id=0 auth_info=0 chk_client_info=0 vd=0
serial=000645d8 tos=ff/ff app_list=0 app=0 url_cat=0
dd_type=0 dd_mode=0
npu_state=00000000
no_ofld_reason: local
```

Example IPv4 IPsec NP6 session

```
diagnose sys session list
session info: proto=6 proto_state=01 duration=34 expire=3565 timeout=3600 flags=00000000
sockflag=00000000 sockport=0 av_idx=0 use=3
origin-shaper=
reply-shaper=
per_ip_shaper=
ha_id=0 policy_dir=0 tunnel=/p1-vdom2
state=re may_dirty npu
statistic(bytes/packets/allow_err): org=112/2/1 reply=112/2/1 tuples=2
origin->sink: org pre->post, reply pre->post dev=57->7/7->57 gwy=10.1.100.11/11.11.11.1
hook=pre dir=org act=noop 172.16.200.55:35254->10.1.100.11:80(0.0.0.0:0)
hook=post dir=reply act=noop 10.1.100.11:80->172.16.200.55:35254(0.0.0.0:0)
pos/(before,after) 0/(0,0), 0/(0,0)
misc=0 policy_id=1 id_policy_id=0 auth_info=0 chk_client_info=0 vd=4
serial=00002d29 tos=ff/ff ips_view=0 app_list=0 app=0
dd_type=0 dd_mode=0
per_ip_bandwidth meter: addr=172.16.200.55, bps=260
npu_state=00000000
npu info: flag=0x81/0x82, offload=8/8, ips_offload=0/0, epid=1/3, ipid=3/1, vlan=32779/0
```

Example IPv6 NP6 session

```
diagnose sys session6 list
session6 info: proto=6 proto_state=01 duration=2 expire=3597 timeout=3600 flags=00000000
sockport=0 sockflag=0 use=3
origin-shaper=
reply-shaper=
per_ip_shaper=
ha_id=0
policy_dir=0 tunnel=/
state=may_dirty npu
statistic(bytes/packets/allow_err): org=152/2/0 reply=152/2/0 tuples=2
```

```
speed(Bps/kbps): 0/0
origin->sink: org pre->post, reply pre->post dev=13->14/14->13
hook=pre dir=org act=noop 2000:172:16:200::55:59145 ->2000:10:1:100::11:80(:::0)
hook=post dir=reply act=noop 2000:10:1:100::11:80 ->2000:172:16:200::55:59145(:::0)
misc=0 policy_id=1 auth_info=0 chk_client_info=0 vd=0 serial=0000027a
npu_state=0x000c00
npu info: flag=0x81/0x81, offload=8/8, ips_offload=0/0, epid=137/136, ipid=136/137, vlan=0/0
```

Example NAT46 NP6 session

```
diagnose sys session list
session info: proto=6 proto_state=01 duration=19 expire=3580 timeout=3600 flags=00000000
sockflag=00000000 sockport=0 av_idx=0 use=3
origin-shaper=
reply-shaper=
per_ip_shaper=
ha_id=0 policy_dir=0 tunnel=/
state=npu nlb
statistic(bytes/packets/allow_err): org=112/2/1 reply=112/2/1 tuples=2
speed(Bps/kbps): 0/0
origin->sink: org ntaf->post, reply pre->org dev=52->14/14->52 gwy=0.0.0.0/10.1.100.1
hook=5 dir=org act=noop 10.1.100.1:21937->10.1.100.11:80(0.0.0.0:0)
hook=6 dir=reply act=noop 10.1.100.11:80->10.1.100.1:21937(0.0.0.0:0)
hook=pre dir=org act=noop 2000:172:16:200::55:33945 ->64:ff9b::a01:640b:80(:::0)
hook=post dir=reply act=noop 64:ff9b::a01:640b:80 ->2000:172:16:200::55:33945(:::0)
pos/(before,after) 0/(0,0), 0/(0,0)
misc=0 policy_id=1 auth_info=0 chk_client_info=0 vd=0
serial=04051aae tos=ff/ff ips_view=0 app_list=0 app=0
dd_type=0 dd_mode=0
npu_state=00000000
npu info: flag=0x81/0x00, offload=0/8, ips_offload=0/0, epid=0/136, ipid=0/137, vlan=0/0
```

Example NAT64 NP6 session

```
diagnose sys session6 list
session6 info: proto=6 proto_state=01 duration=36 expire=3563 timeout=3600 flags=00000000
sockport=0 sockflag=0 use=3
origin-shaper=
reply-shaper=
per_ip_shaper=
ha_id=0
policy_dir=0 tunnel=/
state=may_dirty npu nlb
statistic(bytes/packets/allow_err): org=72/1/0 reply=152/2/0 tuples=2
speed(Bps/kbps): 0/0
origin->sink: org pre->org, reply ntaf->post dev=13->14/14->13
hook=pre dir=org act=noop 2000:172:16:200::55:33945 ->64:ff9b::a01:640b:80(:::0)
hook=post dir=reply act=noop 64:ff9b::a01:640b:80 ->2000:172:16:200::55:33945(:::0)
hook=5 dir=org act=noop 10.1.100.1:21937->10.1.100.11:80(0.0.0.0:0)
hook=6 dir=reply act=noop 10.1.100.11:80->10.1.100.1:21937(0.0.0.0:0)
misc=0 policy_id=1 auth_info=0 chk_client_info=0 vd=0 serial=0000027b
npu_state=00000000
npu info: flag=0x00/0x81, offload=8/0, ips_offload=0/0, epid=137/0, ipid=136/0, vlan=0/0
```

diagnose sys session list no_ofld_reason field

The `no_ofld_reason` field appears in the output of the `diagnose sys session list` or `diagnose sys sessions6 list` command to indicate why the session wasn't offloaded by an NP6 processor. The field appears for sessions that normally would be offloaded but for some reason can't currently be offloaded. The following table lists and explains some of the reasons that a session could not be offloaded. Note that more than one of these reasons can appear in the `no_ofld_reason` field for a single session.

<code>no_ofld_reason</code>	Description
<code>dirty</code>	Because of a configuration change to routing, firewall policies, interfaces, ARP tables, or other configuration, the session needs to be revalidated by FortiOS. Traffic may still be processed by the session, but it will not be offloaded until the session has been revalidated.
<code>local</code>	The session is a local-in or local-out session that can't be offloaded. Examples include management sessions, SSL VPN sessions accessing an SSL VPN portal, explicit proxy sessions, and so on.
<code>disabled-by-policy</code>	The firewall policy option <code>auto-asic-offload</code> is disabled in the firewall policy that accepted the session. This reason can also appear if one or more of the interfaces handling the session are software switch interfaces.
<code>non-npu-intf</code>	The incoming or outgoing interface handling the sessions is not an NP6-accelerated interface or is part of a software switch. This reason may also appear if when the <code>config system npu option fastpath</code> is disabled.
<code>npu-flag-off</code>	The session is not offloaded because of hardware or software limitations. For example, the session could be using EMAC VLAN interfaces or the session could be for a protocol or service for which offloading is not supported. For example, before NP6 processors supported offloading IPv6 tunnel sessions, <code>npu-flag-off</code> would appear in the <code>no_ofld_reason</code> field for IPv6 tunnel sessions.
<code>redir-to-ips</code>	Normally this session is expected to be offloaded to the NP6 processor by the IPS, but for some reason the session cannot be offloaded. May be caused by a bug. The <code>no_ofld_reason</code> field may contain more information.
<code>denied-by-nturbo</code>	A session being processed by the IPS that could normally be offloaded is not supported by nTurbo. May be caused by a bug. Can be paired with <code>redir-to-ips</code> .
<code>block-by-ips</code>	A session being processed by the IPS that could normally be offloaded is blocked. May be caused by a bug. Can be paired with <code>redir-to-ips</code> .
<code>intf-dos</code>	The session is matched by an interface policy or a DoS policy and sessions processed by interface policies or DoS policies are not offloaded.
<code>redir-to-av</code>	Flow-based antivirus is preventing offloading of this session.
<code>sflow</code>	sFlow is enabled for one or both of the interfaces handling the session. sFlow periodic traffic sampling that can only be done by the CPU.

no_ofld_reason	Description
mac-host-check	Device identification has not yet identified the device communicating with the FortiGate using this session. Once the device has been identified the session may be offloaded.
offload-denied	Usually this reason appears if the session is being handled by a session helper and sessions handled by this session helper can't be offloaded.
not-established	A TCP session is not in its established state (proto_state=01).

diagnose npu np6 session-stats <np6-id> (number of NP6 IPv4 and IPv6 sessions)

You can use the `diagnose npu np6 portlist` command to list the NP6 processor IDs and the interfaces that each NP6 is connected to. The <np6-id> of np6_0 is 0, the <np6-id> of np6_1 is 1 and so on. The `diagnose npu np6 session-stats <np6-id>` command output includes the following headings:

- ins44 installed IPv4 sessions
- ins46 installed NAT46 sessions
- del4 deleted IPv4 and NAT46 sessions
- ins64 installed NAT64 sessions
- ins66 installed IPv6 sessions
- del6 deleted IPv6 and NAT64 sessions
- e is the error counter for each session type

```
diagnose npu np6 session-stats 0
qid  ins44    ins46    del4      ins64    ins66    del6
     ins44_e  ins46_e  del4_e    ins64_e  ins66_e  del6_e
-----
0     94       0        44       0        40       30
     0       0        0        0        0        0
1     84       0        32       0        30       28
     0       0        0        0        0        0
2     90       0        42       0        40       30
     0       0        0        0        0        0
3     86       0        32       0        24       27
     0       0        0        0        0        0
4     72       0        34       0        34       28
     0       0        0        0        0        0
5     86       0        30       0        28       32
     0       0        0        0        0        0
6     82       0        38       0        32       34
     0       0        0        0        0        0
7     86       0        30       0        30       30
     0       0        0        0        0        0
8     78       0        26       0        36       26
     0       0        0        0        0        0
9     86       0        34       0        32       32
     0       0        0        0        0        0
-----
Total 844     0        342     0        326     297
     0       0        0        0        0        0
-----
```


diagnose npu np6 ipsec-stats (NP6 IPsec statistics)

The command output includes IPv4, IPv6, and NAT46 IPsec information:

- spi_ses4 is the IPv4 counter
- spi_ses6 is the IPv6 counter
- 4to6_ses is the NAT46 counter

```
diagnose npu np6 ipsec-stats
vif_start_oid      03ed      vif_end_oid      03fc
IPsec Virtual interface stats:
vif_get            0000000000    vif_get_expired  0000000000
vif_get_fail      0000000000    vif_get_invld    0000000000
vif_set           0000000000    vif_set_fail     0000000000
vif_clear         0000000000    vif_clear_fail   0000000000
np6_0:
sa_install        0000000000    sa_ins_fail      0000000000
sa_remove         0000000000    sa_del_fail      0000000000
4to6_ses_ins     0000000000    4to6_ses_ins_fail 0000000000
4to6_ses_del     0000000000    4to6_ses_del_fail 0000000000
spi_ses6_ins     0000000000    spi_ses6_ins_fail 0000000000
spi_ses6_del     0000000000    spi_ses6_del_fail 0000000000
spi_ses4_ins     0000000000    spi_ses4_ins_fail 0000000000
spi_ses4_del     0000000000    spi_ses4_del_fail 0000000000
sa_map_alloc_fail 0000000000    vif_alloc_fail   0000000000
sa_ins_null_adapter 0000000000    sa_del_null_adapter 0000000000
del_sa_mismatch  0000000000    ib_chk_null_adpt 0000000000
ib_chk_null_sa   0000000000    ob_chk_null_adpt 0000000000
ob_chk_null_sa   0000000000    rx_vif_miss      0000000000
rx_sa_miss       0000000000    rx_mark_miss     0000000000
waiting_ib_sa    0000000000    sa_mismatch      0000000000
msg_miss         0000000000
np6_1:
sa_install        0000000000    sa_ins_fail      0000000000
sa_remove         0000000000    sa_del_fail      0000000000
4to6_ses_ins     0000000000    4to6_ses_ins_fail 0000000000
4to6_ses_del     0000000000    4to6_ses_del_fail 0000000000
spi_ses6_ins     0000000000    spi_ses6_ins_fail 0000000000
spi_ses6_del     0000000000    spi_ses6_del_fail 0000000000
spi_ses4_ins     0000000000    spi_ses4_ins_fail 0000000000
spi_ses4_del     0000000000    spi_ses4_del_fail 0000000000
sa_map_alloc_fail 0000000000    vif_alloc_fail   0000000000
sa_ins_null_adapter 0000000000    sa_del_null_adapter 0000000000
del_sa_mismatch  0000000000    ib_chk_null_adpt 0000000000
ib_chk_null_sa   0000000000    ob_chk_null_adpt 0000000000
ob_chk_null_sa   0000000000    rx_vif_miss      0000000000
rx_sa_miss       0000000000    rx_mark_miss     0000000000
waiting_ib_sa    0000000000    sa_mismatch      0000000000
msg_miss         0000000000
```

diagnose npu np6 sse-stats <np6-id> (number of NP6 sessions and dropped sessions)

This command displays the total number of inserted, deleted and purged sessions processed by a selected NP6 processor. The number of dropped sessions of each type can be determined by subtracting the number of successful sessions from the total number of sessions. For example, the total number of dropped insert sessions is `insert-total - insert-success`.

```
diagnose npu np6 sse-stats 0
Counters          SSE0          SSE1          Total
-----
active            0              0              0
insert-total     25             0              0
insert-success   25             0              0
delete-total     25             0              0
delete-success   25             0              0
purge-total      0              0              0
purge-success    0              0              0
search-total     40956          38049          79005
search-hit       37714          29867          67581
-----
pht-size         8421376        8421376
oft-size         8355840        8355840
oftfree          8355839        8355839
PBA              3001
```

diagnose npu np6 dce <np6-id> (number of dropped NP6 packets)

This command displays the number of dropped packets for the selected NP6 processor.

- IHP1_PKTCHK number of dropped IP packets
- IPSEC0_ENGINB0 number of dropped IPsec
- TPE_SHAPER number of dropped traffic sharper packets

```
diag npu np6 dce 1
IHP1_PKTCHK :0000000000001833 [5b] IPSEC0_ENGINB0 :0000000000000003 [80]
TPE_SHAPER  :0000000000000552 [94]
```

diagnose hardware deviceinfo nic <interface-name> (number of packets dropped by an interface)

This command displays a wide variety of statistics for FortiGate interfaces. The fields `Host Rx dropped` and `Host Tx dropped` display the number of received and transmitted packets that have been dropped.

```
diagnose hardware deviceinfo nic port2
...
===== Counters =====
Rx Pkts          :20482043
Rx Bytes         :31047522516
Tx Pkts          :19000495
Tx Bytes         :1393316953
Host Rx Pkts     :27324
```

```
Host Rx Bytes      :1602755
Host Rx dropped    :0
Host Tx Pkts       :8741
Host Tx Bytes      :5731300
Host Tx dropped    :0
sw_rx_pkts         :20482043
sw_rx_bytes        :31047522516
sw_tx_pkts         :19000495
sw_tx_bytes        :1393316953
sw_np_rx_pkts      :19000495
sw_np_rx_bytes     :1469318933
sw_np_tx_pkts      :20482042
sw_np_tx_bytes     :31129450620
```

diagnose npu np6 synproxy-stats (NP6 SYN-proxied sessions and unacknowledged SYNs)

This command displays information about NP6 syn-proxy sessions including the total number proxied sessions. As well as the Number of attacks, no ACK from client shows the total number of acknowledged SYNs.

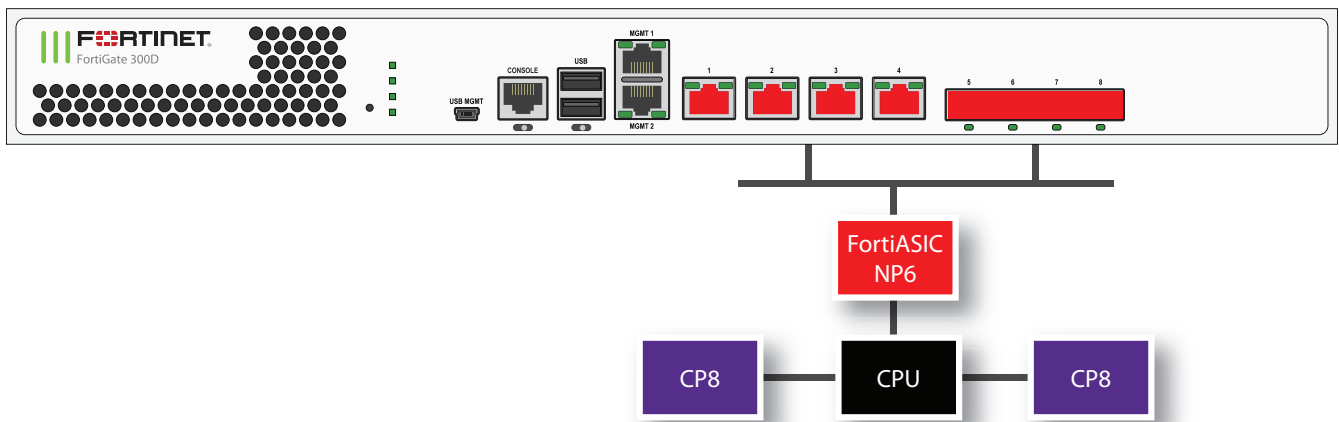
```
diagnose npu np6 synproxy-stats
DoS SYN-Proxy:
Number of proxied TCP connections : 39277346
Number of working proxied TCP connections : 182860
Number of retired TCP connections : 39094486
Number of attacks, no ACK from client : 208
```

FortiGate NP6 architectures

This chapter shows the NP6 architecture for FortiGate models that include NP6 processors.

FortiGate 300D fast path architecture

The FortiGate 300D includes one NP6 processor connected to four 1Gb RJ-45 Ethernet ports (port1-4) and four 1Gb SFP interfaces (port5-port8).



You can use the following `get` command to display the FortiGate 300D NP6 configuration. The command output shows one NP6 named `NP6_0` and the interfaces (ports) connected to it. You can also use the `diagnose npu np6 port-list` command to display this information.

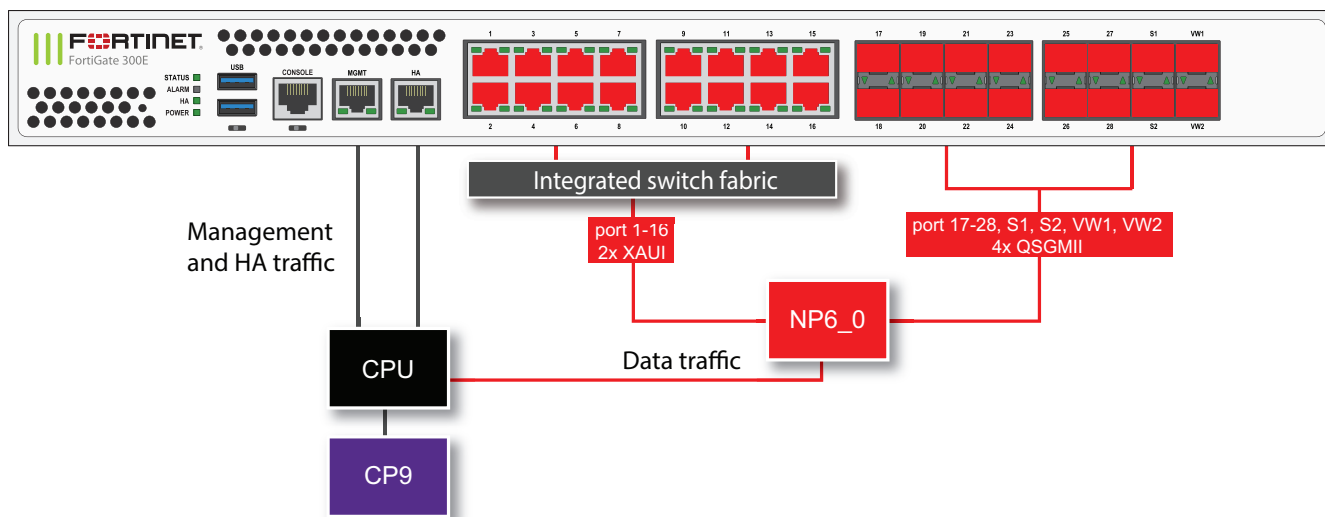
```
get hardware npu np6 port-list
Chip  XAUI Ports  Max  Cross-chip
      Speed offloading
-----
np6_0  0
      1  port5  1G  Yes
      1  port7  1G  Yes
      1  port8  1G  Yes
      1  port6  1G  Yes
      1  port3  1G  Yes
      1  port4  1G  Yes
      1  port1  1G  Yes
      1  port2  1G  Yes
      2
      3
-----
```

FortiGate 300E and 301E fast path architecture

The FortiGate 300E and 301E models feature the following front panel interfaces:

- Two 10/100/1000BASE-T Copper (MGNT and HA, not connected to the NP6 processor)
- Sixteen 10/100/1000BASE-T Copper (1 to 16)
- Sixteen 1 GigE SFP (17 - 28, S1, S2, VW1, VW2) (S1 and S2 are configured as sniffer interfaces, VW1 and VW2 are configured as virtual wire interfaces)

The following diagram also shows the XAUI and QSGMII port connections between the NP6 processor and the front panel interfaces.



The FortiGate 300E and 301E each include one NP6 processor. All supported traffic passing between any two data interfaces can be offloaded by the NP6 processor. Data traffic to be processed by the CPU takes a dedicated data path through the NP6 processor to the CPU. Interfaces 1 to 16 connect to an integrated switch fabric to allow these sixteen interfaces to share two XAUI ports that connect to the NP6 processor.

The MGMT interface is not connected to the NP6 processor. Management traffic passes to the CPU over a dedicated management path that is separate from the data path. The HA interface is also not connected to the NP6 processors. To help provide better HA stability and resiliency, HA traffic uses a dedicated physical control path that provides HA control traffic separation from data traffic processing. The separation of management and HA traffic from data traffic keeps management and HA traffic from affecting the stability and performance of data traffic processing.

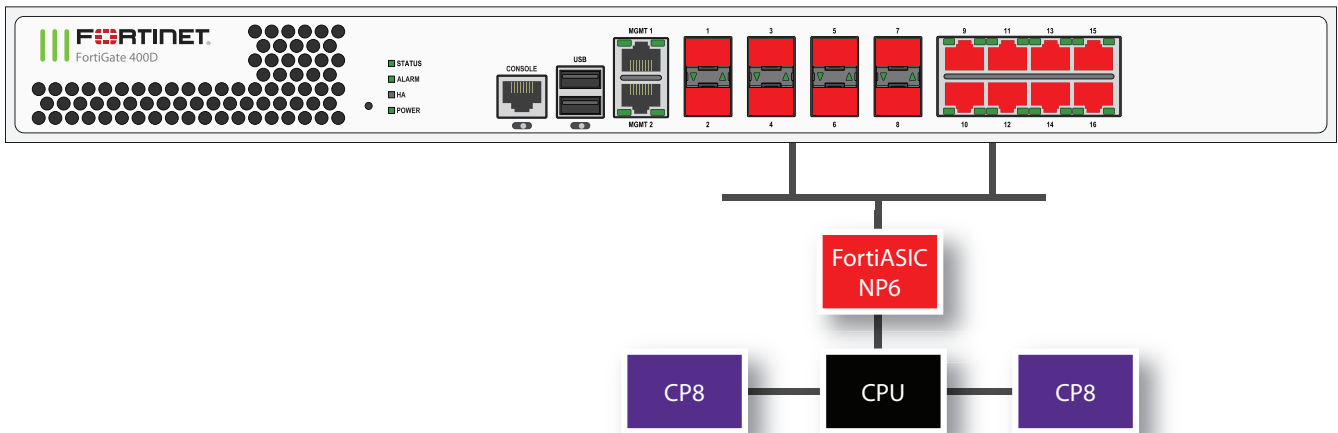
You can use the following get command to display the FortiGate 300E or 301E NP6 configuration. You can also use the diagnose npu np6 port-list command to display this information.

```
get hardware npu np6 port-list
Chip   XAUI Ports      Max   Cross-chip
      Speed offloading
-----
np6_0  0   port1          1G   Yes
      0   port2          1G   Yes
      0   port3          1G   Yes
      0   port4          1G   Yes
      0   port5          1G   Yes
      0   port6          1G   Yes
```

0	port7	1G	Yes
0	port8	1G	Yes
1	port9	1G	Yes
1	port10	1G	Yes
1	port11	1G	Yes
1	port12	1G	Yes
1	port13	1G	Yes
1	port14	1G	Yes
1	port15	1G	Yes
1	port16	1G	Yes
2	port17	1G	Yes
2	port18	1G	Yes
2	port19	1G	Yes
2	port20	1G	Yes
2	port21	1G	Yes
2	port22	1G	Yes
2	port23	1G	Yes
2	port2	1G	Yes
3	port25	1G	Yes
3	port26	1G	Yes
3	port27	1G	Yes
3	port28	1G	Yes
3	s1	1G	Yes
3	s2	1G	Yes
3	vw1	1G	Yes
3	vw2	1G	Yes

FortiGate 400D fast path architecture

The FortiGate 400D includes one NP6 processor connected to eight 1Gb SFP interfaces (port1-port8) and eight 1Gb RJ-45 Ethernet ports (port9-16).



You can use the following `get` command to display the FortiGate 400D NP6 configuration. The command output shows one NP6 named `NP6_0` and the interfaces (ports) connected to it. You can also use the `diagnose npu np6 port-list` command to display this information.

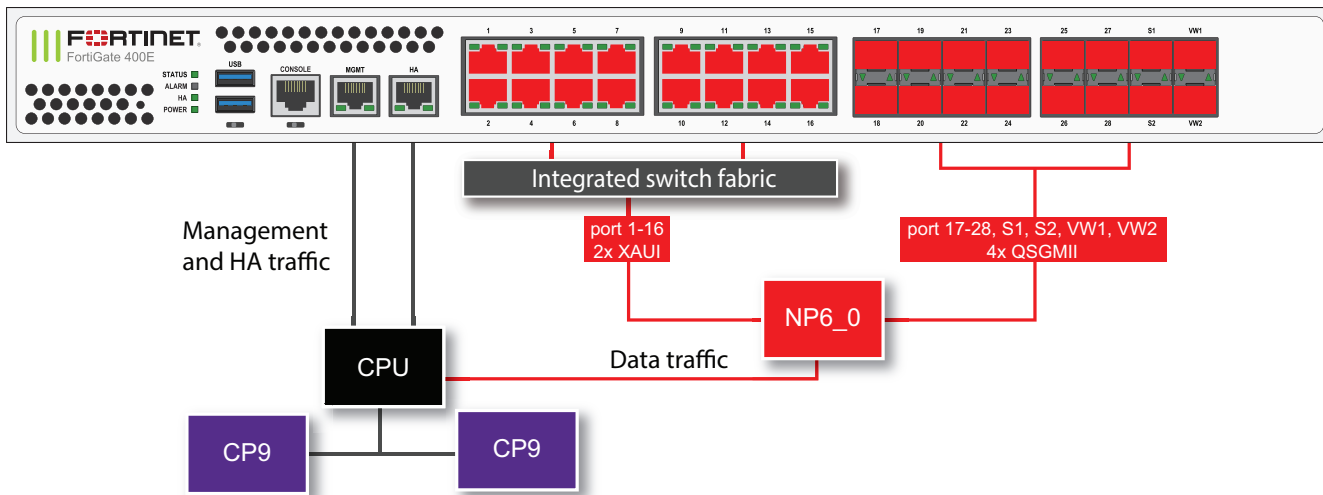
```
get hardware npu np6 port-list
Chip  XAUI Ports  Max  Cross-chip
      Speed offloading
-----
np6_0  0
      1  port10  1G   Yes
      1  port9   1G   Yes
      1  port12  1G   Yes
      1  port11  1G   Yes
      1  port14  1G   Yes
      1  port13  1G   Yes
      1  port16  1G   Yes
      1  port15  1G   Yes
      1  port5   1G   Yes
      1  port7   1G   Yes
      1  port8   1G   Yes
      1  port6   1G   Yes
      1  port3   1G   Yes
      1  port4   1G   Yes
      1  port1   1G   Yes
      1  port2   1G   Yes
      2
      3
-----
```

FortiGate 400E and 401E fast path architecture

The FortiGate 400E and 401E models feature the following front panel interfaces:

- Two 10/100/1000BASE-T Copper (MGMT and HA, not connected to the NP6 processor)
- Sixteen 10/100/1000BASE-T Copper (1 to 16)
- Sixteen 1 GigE SFP (17 - 28, S1, S2, VW1, VW2) (S1 and S2 are configured as sniffer interfaces, VW1 and VW2 are configured as virtual wire interfaces)

The following diagram also shows the XAUI and QSGMII port connections between the NP6 processor and the integrated switch fabric.



The FortiGate 400E and 401E each include one NP6 processor. All supported traffic passing between any two data interfaces can be offloaded by the NP6 processor. Data traffic to be processed by the CPU takes a dedicated data path through the NP6 processor to the CPU. Interfaces 1 to 16 connect to an integrated switch fabric to allow these sixteen interfaces to share two XAU1 ports that connect to the NP6 processor.

The MGMT interface is not connected to the NP6 processor. Management traffic passes to the CPU over a dedicated management path that is separate from the data path. The HA interface is also not connected to the NP6 processors. To help provide better HA stability and resiliency, HA traffic uses a dedicated physical control path that provides HA control traffic separation from data traffic processing. The separation of management and HA traffic from data traffic keeps management and HA traffic from affecting the stability and performance of data traffic processing.

You can use the following `get` command to display the FortiGate 400E or 401E NP6 configuration. You can also use the `diagnose npu np6 port-list` command to display this information.

```
get hardware npu np6 port-list
Chip   XAU1 Ports      Max   Cross-chip
      Speed offloading
-----
np6_0  0   port1          1G   Yes
      0   port2          1G   Yes
      0   port3          1G   Yes
      0   port4          1G   Yes
      0   port5          1G   Yes
      0   port6          1G   Yes
      0   port7          1G   Yes
      0   port8          1G   Yes
      1   port9          1G   Yes
      1   port10         1G   Yes
      1   port11         1G   Yes
      1   port12         1G   Yes
      1   port13         1G   Yes
      1   port14         1G   Yes
      1   port15         1G   Yes
      1   port16         1G   Yes
      2   port17         1G   Yes
      2   port18         1G   Yes
      2   port19         1G   Yes
      2   port20         1G   Yes
```

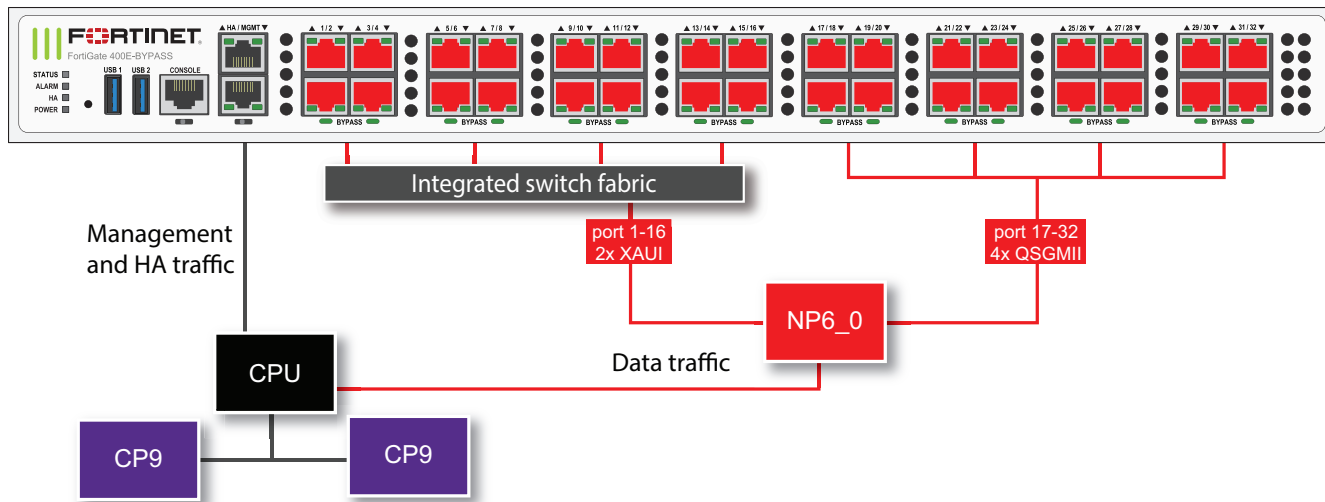

2	port21	1G	Yes
2	port22	1G	Yes
2	port23	1G	Yes
2	port2	1G	Yes
3	port25	1G	Yes
3	port26	1G	Yes
3	port27	1G	Yes
3	port28	1G	Yes
3	s1	1G	Yes
3	s2	1G	Yes
3	vw1	1G	Yes
3	vw2	1G	Yes

FortiGate 400E Bypass fast path architecture

The FortiGate 400E Bypass model features the following front panel interfaces:

- Two 10/100/1000BASE-T Copper (MGMT and HA, not connected to the NP6 processor)
- Thirty-two 10/100/1000BASE-T Copper (1 to 32) that make up sixteen copper virtual wire bypass pairs

The following diagram also shows the XAUI and QSGMII port connections between the NP6 processor and the integrated switch fabric.



The FortiGate 400E Bypass includes one NP6 processor. All supported traffic passing between any two data interfaces can be offloaded by the NP6 processor. Data traffic to be processed by the CPU takes a dedicated data path through the NP6 processor to the CPU. Interfaces 1 to 16 connect to an integrated switch fabric to allow these sixteen interfaces to share two XAUI ports that connect to the NP6 processor. Interfaces 17 to 20, 21 to 24, 25 to 28, and 29 to 32 each connect to one of four QSGMII ports that connect them to the NP6 processor.

The MGMT interface is not connected to the NP6 processor. Management traffic passes to the CPU over a dedicated management path that is separate from the data path. The HA interface is also not connected to the NP6 processors. To help provide better HA stability and resiliency, HA traffic uses a dedicated physical control path that provides HA control traffic separation from data traffic processing. The separation of management and HA traffic from data traffic keeps management and HA traffic from affecting the stability and performance of data traffic processing.

You can use the following command to display the FortiGate 400E Bypass NP6 configuration. You can also use the `diagnose npu np6 port-list` command to display this information.

```
get hardware npu np6 port-list
Chip  XAUI Ports      Max  Cross-chip
      XAUI Ports      Speed offloading
-----
np6_0  0  port1           1G  Yes
      0  port2           1G  Yes
      0  port3           1G  Yes
      0  port4           1G  Yes
      0  port5           1G  Yes
      0  port6           1G  Yes
      0  port7           1G  Yes
      0  port8           1G  Yes
      1  port9           1G  Yes
      1  port10          1G  Yes
      1  port11          1G  Yes
      1  port12          1G  Yes
      1  port13          1G  Yes
      1  port14          1G  Yes
      1  port15          1G  Yes
      1  port16          1G  Yes
      2  port17          1G  Yes
      2  port18          1G  Yes
      2  port19          1G  Yes
      2  port20          1G  Yes
      2  port21          1G  Yes
      2  port22          1G  Yes
      2  port23          1G  Yes
      2  port24          1G  Yes
      3  port25          1G  Yes
      3  port26          1G  Yes
      3  port27          1G  Yes
      3  port28          1G  Yes
      3  port29          1G  Yes
      3  port30          1G  Yes
      3  port31          1G  Yes
      3  port32          1G  Yes
-----
```

Bypass interfaces

The FortiGate 400E Bypass includes sixteen bypass interface pairs that can provide fail open support for up to sixteen networks. Each consecutively numbered pair of interfaces can be configured to operate as a bypass pair by adding the interfaces to a virtual wire bypass pair. Interface 1 and 2, interface 3 and 4, interface 5 and interface 6, and so on can form virtual wire bypass pairs.

When bypass mode is activated, the interfaces in each virtual wire bypass pair are directly connected. Traffic can pass between these interfaces, bypassing the FortiOS firewall and the NP6 processor, but continuing to provide network connectivity.

In bypass mode, each virtual wire bypass pair acts like a patch cable, failing open and allowing all traffic to pass through. Traffic on the virtual wire bypass pair interfaces that are using VLANs or other network extensions can only continue flowing if the connected network equipment is configured for these features.

If the FortiGate 400E Bypass fails or loses power, the virtual wire bypass pairs will continue to operate in bypass mode until the failed device is replaced or power is restored. If power is restored and the FortiGate 400E Bypass starts up, the device resumes operating as a FortiGate device without interrupting traffic flow. Replacing a failed FortiGate 400E Bypass disrupts traffic while the technician physically replaces the failed device with a new one.

If bypass mode is enabled because of a software or hardware failure, the virtual wire bypass pairs continue to operate in bypass mode until the FortiGate 400E Bypass restarts. You can configure the FortiGate 400E Bypass to resume normal operation after a restart or to keep the virtual wire bypass pairs operating in bypass mode after a restart.

Configuring bypass settings

You can use the following command to configure how bypass operates.

```
config system bypass
  set bypass-watchdog {disable | enable}
  set bypass-timeout {1 | 10 | 60}
  set auto-recover {disable | enable}
end
```

`bypass-watchdog enable` to turn on the bypass watchdog. The bypass watchdog monitors traffic passing between interfaces in each of the virtual wire bypass pairs. If the watchdog detects that traffic is blocked on any virtual wire bypass pair, that virtual wire bypass pair switches to bypass mode.

`bypass-timeout` select the amount of time the bypass watchdog waits after detecting a failure before enabling bypass mode. You can select to wait 1, 10, or 60 seconds. The default timeout is 10 seconds.

`auto-recover enable` to cause all virtual wire bypass pairs to return to normal operation after bypass mode has been turned on and then the FortiGate 400E Bypass has restarted. Disable to keep virtual wire bypass pairs in bypass mode, if bypass mode was turned on and the FortiGate 400E Bypass has restarted.

Creating a virtual wire bypass pair

Use the following command to configure two interfaces to act as a virtual wire bypass pair. FortiGate 400E Bypass interfaces that are not configured in this way will operate in the same way as any FortiGate interfaces and not as bypass pairs.

```
config system virtual-wire-pair
  edit <name>
    set member <interface> <interface>
    set poweron-bypass {disable | enable}
    set poweroff-bypass {disable | enable}
  end
```

`<interface> <interface>` the interfaces in the virtual wire bypass pair have to be two interfaces that can form a bypass pair. For example port1 and port2, port3 and port4, and so on can form virtual wire bypass pairs.

`poweron-bypass enable` bypass mode for this virtual wire bypass pair when the FortiGate 400E Bypass is powered on. With this mode enabled, the virtual wire bypass pair can switch to bypass mode if the bypass watchdog detects a failure while the FortiGate 400E Bypass is operating.

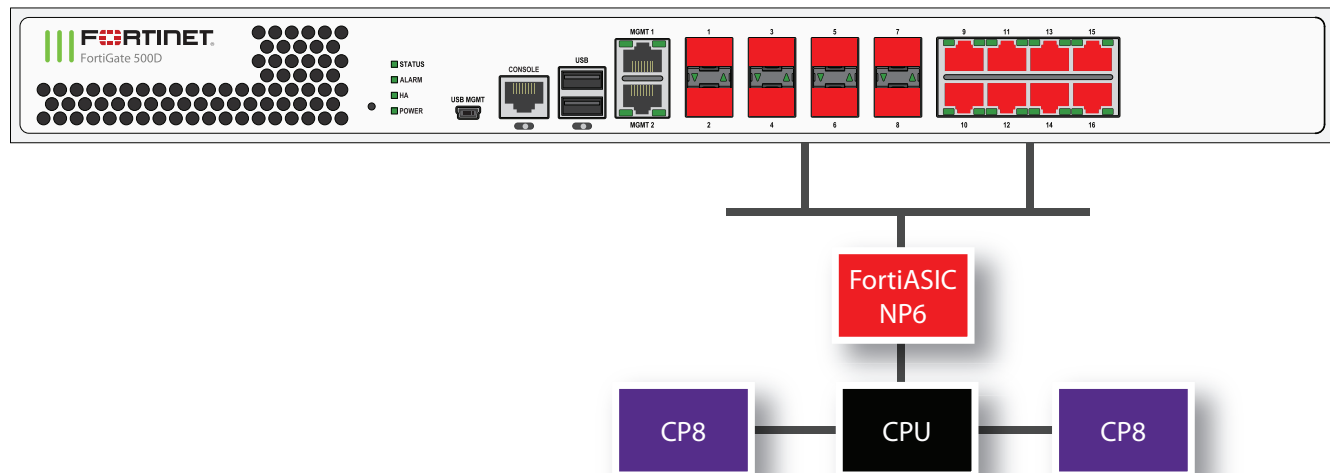
`poweroff-bypass enable` bypass mode for this virtual wire bypass pair when the FortiGate 400E Bypass loses power or is powered off.

For example, use the following command to configure port5 and port6 to operate as a virtual wire bypass pair that will switch to bypass mode if the bypass watchdog detects a failure or if the FortiGate 400E bypass is powered off.

```
config system virtual-wire-pair
edit <name>
set member port5 port6
set poweron-bypass enable
set poweroff-bypass enable
end
```

FortiGate 500D fast path architecture

The FortiGate 500D includes one NP6 processor connected to eight 1Gb SFP interfaces (port1-port8) and eight 1Gb RJ-45 Ethernet ports (port9-16).



You can use the following get command to display the FortiGate 500D NP6 configuration. The command output shows one NP6 named NP6_0 and the interfaces (ports) connected to it. You can also use the `diagnose npu np6 port-list` command to display this information.

```
get hardware npu np6 port-list
Chip  XAUI Ports  Max  Cross-chip
      Speed offloading
-----
np6_0  0
1     port10  1G   Yes
1     port9   1G   Yes
1     port12  1G   Yes
1     port11  1G   Yes
1     port14  1G   Yes
1     port13  1G   Yes
1     port16  1G   Yes
1     port15  1G   Yes
1     port5   1G   Yes
1     port7   1G   Yes
1     port8   1G   Yes
1     port6   1G   Yes
```

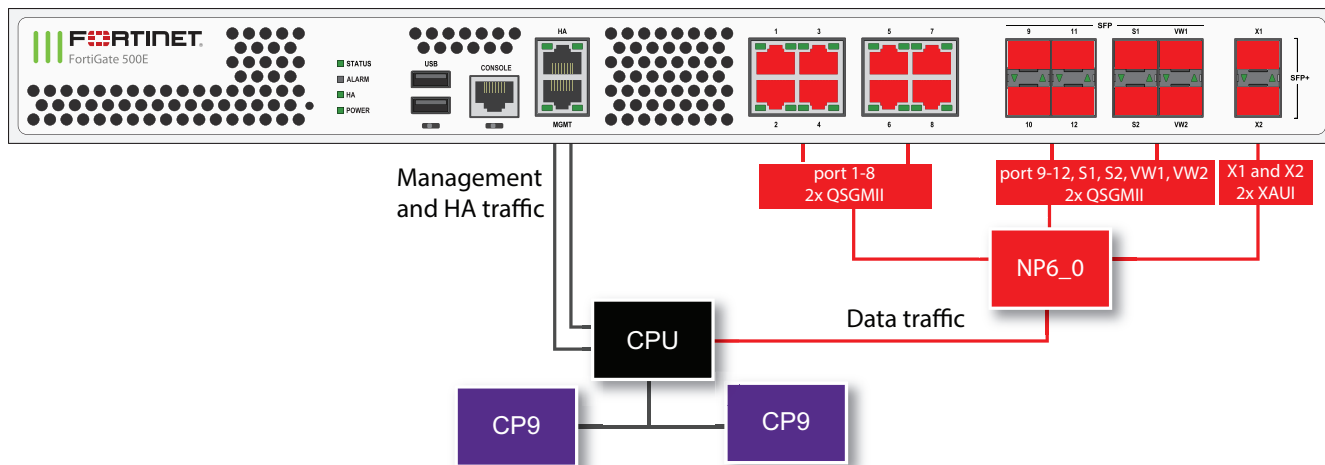
1	port3	1G	Yes
1	port4	1G	Yes
1	port1	1G	Yes
1	port2	1G	Yes
2			
3			

FortiGate 500E and 501E fast path architecture

The FortiGate 500E and 501E models feature the following front panel interfaces:

- Two 10/100/1000BASE-T Copper (HA and MGMT, not connected to the NP6 processors)
- Eight 10/100/1000BASE-T Copper (1 to 8)
- Eight 1 GigE SFP (9 - 12, S1, S2, VW1, VW2) (S1 and S2 are configured as sniffer interfaces, VW1 and VW2 are configured as virtual wire interfaces)
- Two 10 GigE SFP+ (X1 and X2) (cannot be configured to be SFP interfaces)

The following diagram also shows the QSGMII and XAUI port connections between the NP6 processor and the front panel interfaces.



The FortiGate 500E and 501E each include one NP6 processor. All supported traffic passing between any two data interfaces can be offloaded by the NP6 processor. Data traffic to be processed by the CPU takes a dedicated data path through the NP6 processor to the CPU.

The MGMT interface is not connected to the NP6 processor. Management traffic passes to the CPU over a dedicated management path that is separate from the data path. The HA interface is also not connected to the NP6 processors. To help provide better HA stability and resiliency, HA traffic uses a dedicated physical control path that provides HA control traffic separation from data traffic processing. The separation of management and HA traffic from data traffic keeps management and HA traffic from affecting the stability and performance of data traffic processing.

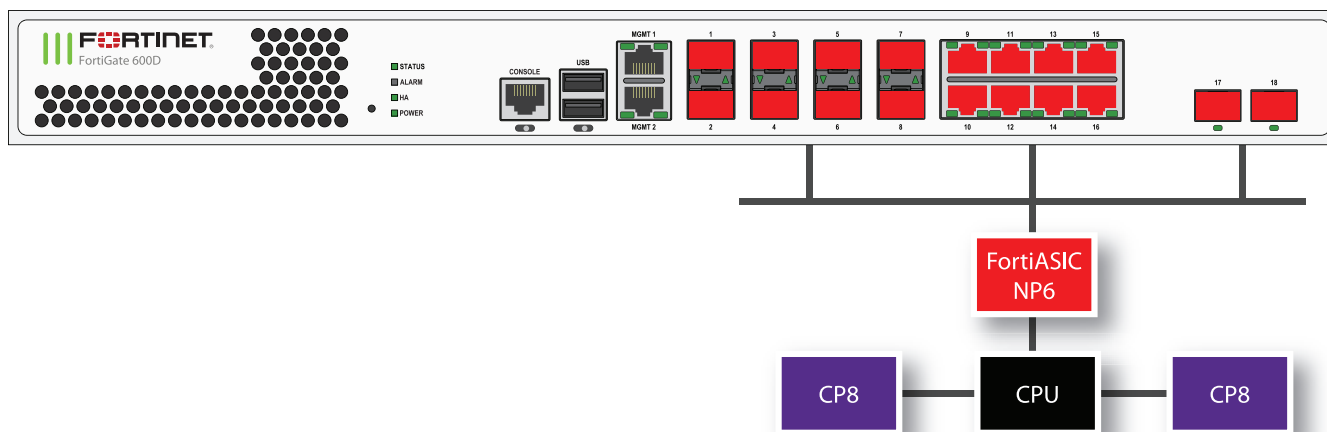
You can use the following get command to display the FortiGate 500E or 501E NP6 configuration. You can also use the diagnose npu np6 port-list command to display this information.

```
get hardware npu np6 port-list
Chip XAUI Ports Max Cross-chip
```

-----			Speed	offloading
-----			-----	-----
np6_0	0	x1	10G	Yes
	1	port1	1G	Yes
	1	port2	1G	Yes
	1	port3	1G	Yes
	1	port4	1G	Yes
	1	port5	1G	Yes
	1	port6	1G	Yes
	1	port7	1G	Yes
	1	port8	1G	Yes
	1	port9	1G	Yes
	1	port10	1G	Yes
	1	port11	1G	Yes
	1	port12	1G	Yes
	1	s1	1G	Yes
	1	s2	1G	Yes
	1	vw1	1G	Yes
	1	vw2	1G	Yes
	2	x2	10G	Yes
	3			

FortiGate 600D fast path architecture

The FortiGate 600D includes one NP6 processor connected to eight 1Gb SFP interfaces (port1-port8) and eight 1Gb RJ-45 Ethernet ports (port9-16) and two 10Gb SFP+ interfaces (port17 and port18).



You can use the following get command to display the FortiGate 600D NP6 configuration. The command output shows one NP6 named NP6_0 and the interfaces (ports) connected to it. You can also use the diagnose npu np6 port-list command to display this information.

```
get hardware npu np6 port-list
Chip  XAUI Ports  Max  Cross-chip
      Speed offloading
-----
np6_0 0
      1  port10 1G   Yes
```

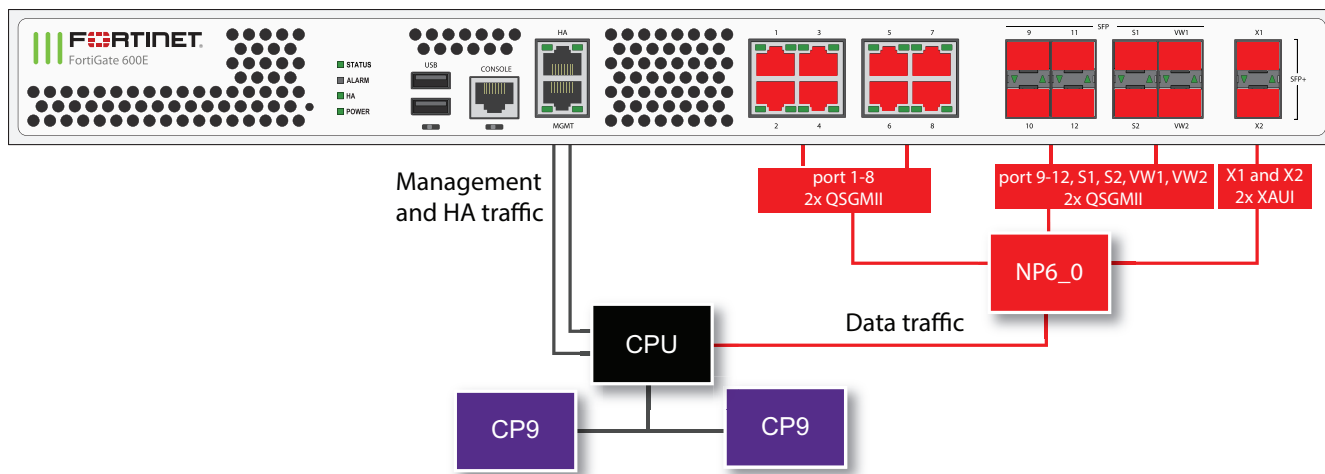
1	port9	1G	Yes
1	port12	1G	Yes
1	port11	1G	Yes
1	port14	1G	Yes
1	port13	1G	Yes
1	port16	1G	Yes
1	port15	1G	Yes
1	port5	1G	Yes
1	port7	1G	Yes
1	port8	1G	Yes
1	port6	1G	Yes
1	port3	1G	Yes
1	port4	1G	Yes
1	port1	1G	Yes
1	port2	1G	Yes
2	port17	10G	Yes
3	port18	10G	Yes

FortiGate 600E and 601E fast path architecture

The FortiGate 600E and 601E models feature the following front panel interfaces:

- Two 10/100/1000BASE-T Copper (HA and MGMT, not connected to the NP6 processors)
- Eight 10/100/1000BASE-T Copper (1 to 8)
- Eight 1 GigE SFP (9 - 12, S1, S2, VW1, VW2) (S1 and S2 are configured as sniffer interfaces, VW1 and VW2 are configured as virtual wire interfaces)
- Two 10 GigE SFP+ (X1 and X2) (cannot be configured to be SFP interfaces)

The following diagram also shows the QSGMII and XAUI port connections between the NP6 processor and the front panel interfaces.



The FortiGate 600E and 601E each include one NP6 processor. All supported traffic passing between any two data interfaces can be offloaded by the NP6 processor. Data traffic to be processed by the CPU takes a dedicated data path through the NP6 processor to the CPU.

The MGMT interface is not connected to the NP6 processor. Management traffic passes to the CPU over a dedicated management path that is separate from the data path. The HA interface is also not connected to the NP6 processors. To help provide better HA stability and resiliency, HA traffic uses a dedicated physical control path that provides HA control traffic separation from data traffic processing. The separation of management and HA traffic from data traffic keeps management and HA traffic from affecting the stability and performance of data traffic processing.

You can use the following `get` command to display the FortiGate 600E or 601E NP6 configuration. You can also use the `diagnose npu np6 port-list` command to display this information.

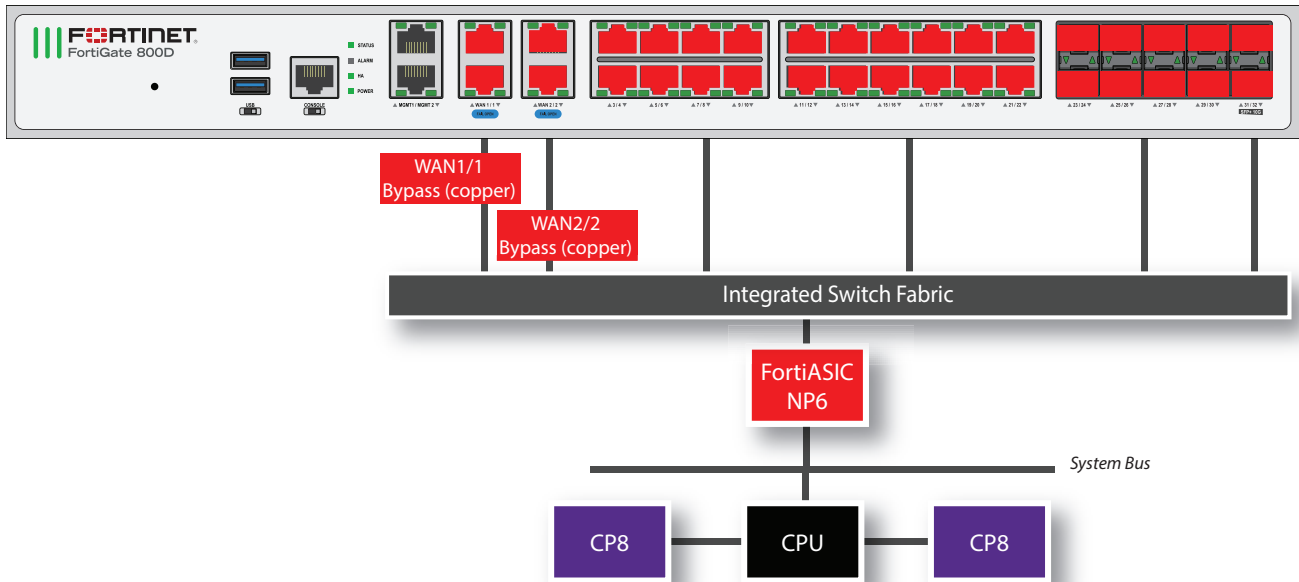
```
get hardware npu np6 port-list
Chip   XAUI Ports           Max   Cross-chip
        Speed offloading
-----
np6_0  0    x1                10G  Yes
        1    port1             1G   Yes
        1    port2             1G   Yes
        1    port3             1G   Yes
        1    port4             1G   Yes
        1    port5             1G   Yes
        1    port6             1G   Yes
        1    port7             1G   Yes
        1    port8             1G   Yes
        1    port9             1G   Yes
        1    port10            1G   Yes
        1    port11            1G   Yes
        1    port12            1G   Yes
        1    s1                1G   Yes
        1    s2                1G   Yes
        1    vw1              1G   Yes
        1    vw2              1G   Yes
        2    x2                10G  Yes
        3
```

FortiGate 800D fast path architecture

The FortiGate 800D includes one NP6 processor connected through an integrated switch fabric to all of the FortiGate 800D network interfaces. This hardware configuration supports NP6-accelerated fast path offloading for sessions between any of the FortiGate 800D interfaces.

The FortiGate 800D features the following front panel interfaces:

- Two 10/100/1000BASE-T Copper (MGMT1 and MGMT2, not connected to the NP6 processors)
- Two 10/100/1000BASE-T Copper bypass pairs (WAN1 and 1 and WAN2 and 2)
- Eighteen 10/100/1000BASE-T Copper (3 to 22)
- Eight 1 GigE SFP (23 to 30)
- Two 10 GigE SFP+ (31 and 32)



You can use the following `get` command to display the FortiGate 800D NP6 configuration. The command output shows one NP6 named NP6_0. The output also shows all of the FortiGate 800D interfaces (ports) connected to NP6_0. You can also use the `diagnose npu np6 port-list` command to display this information.

```
get hardware npu np6 port-list
Chip  XAUI Ports  Max  Cross-chip
      Speed offloading
-----
np6_0  0   port31  10G  Yes
      1   wan1    1G   Yes
      1   port1   1G   Yes
      1   wan2    1G   Yes
      1   port2   1G   Yes
      1   port3   1G   Yes
      1   port4   1G   Yes
      1   port5   1G   Yes
      1   port6   1G   Yes
      1   port30  1G   Yes
      1   port29  1G   Yes
      1   port28  1G   Yes
      1   port27  1G   Yes
      1   port26  1G   Yes
      1   port25  1G   Yes
      1   port24  1G   Yes
      1   port23  1G   Yes
      2   port7   1G   Yes
      2   port8   1G   Yes
      2   port9   1G   Yes
      2   port10  1G   Yes
      2   port11  1G   Yes
      2   port12  1G   Yes
      2   port13  1G   Yes
      2   port14  1G   Yes
      2   port15  1G   Yes
      2   port16  1G   Yes
```

2	port17	1G	Yes
2	port18	1G	Yes
2	port19	1G	Yes
2	port20	1G	Yes
2	port21	1G	Yes
2	port22	1G	Yes
3	port32	10G	Yes

Bypass interfaces (WAN1/1 and WAN2/2)

The FortiGate 800D includes two bypass interface pairs: WAN1 and 1 and WAN2 and 2 that provide fail open support. When a FortiGate 800D experiences a hardware failure or loses power, or when bypass mode is enabled, the bypass interface pairs operate in bypass mode. In bypass mode, WAN1 and 1 are directly connected and WAN2 and 2 are directly connected. Traffic can pass between WAN1 and 1 and between WAN2 and 2, bypassing the FortiOS firewall and the NP6 processor, but continuing to provide network connectivity.

In bypass mode, the bypass pairs act like patch cables, failing open and allowing all traffic to pass through. Traffic on the bypass interfaces that is using VLANs or other network extensions can only continue flowing if the connected network equipment is configured for these features.

The FortiGate 800D will continue to operate in bypass mode until the failed FortiGate 800D is replaced, power is restored, or bypass mode is disabled. If power is restored or bypass mode is disabled, the FortiGate 800D resumes operating as a FortiGate device without interrupting traffic flow. Replacing a failed FortiGate 800D disrupts traffic as a technician physically replaces the failed FortiGate 800D with a new one.

Manually enabling bypass mode

You can manually enable bypass mode if the FortiGate 800D is operating in transparent mode. You can also manually enable bypass mode for a VDOM if WAN1 and 1 or WAN2 and 2 are both connected to the same VDOM operating in transparent mode.

Use the following command to enable bypass mode:

```
execute bypass-mode enable
```

This command changes the configuration, so bypass mode will still be enabled if the FortiGate 800D restarts.

You can use the following command to disable bypass mode:

```
execute bypass-mode disable
```

Configuring bypass settings

You can use the following command to configure how bypass operates.

```
config system bypass
  set bypass-watchdog {disable | enable}
  set poweroff-bypass {disable | enable}
end
```

`bypass-watchdog enable` to turn on bypass mode. When bypass mode is turned on, if the bypass watchdog detects a software or hardware failure, bypass mode will be activated.

`poweroff-bypass` if enabled, traffic will be able to pass between WAN1 and 1 and between WAN2 and 2 if the FortiGate 800D is powered off.

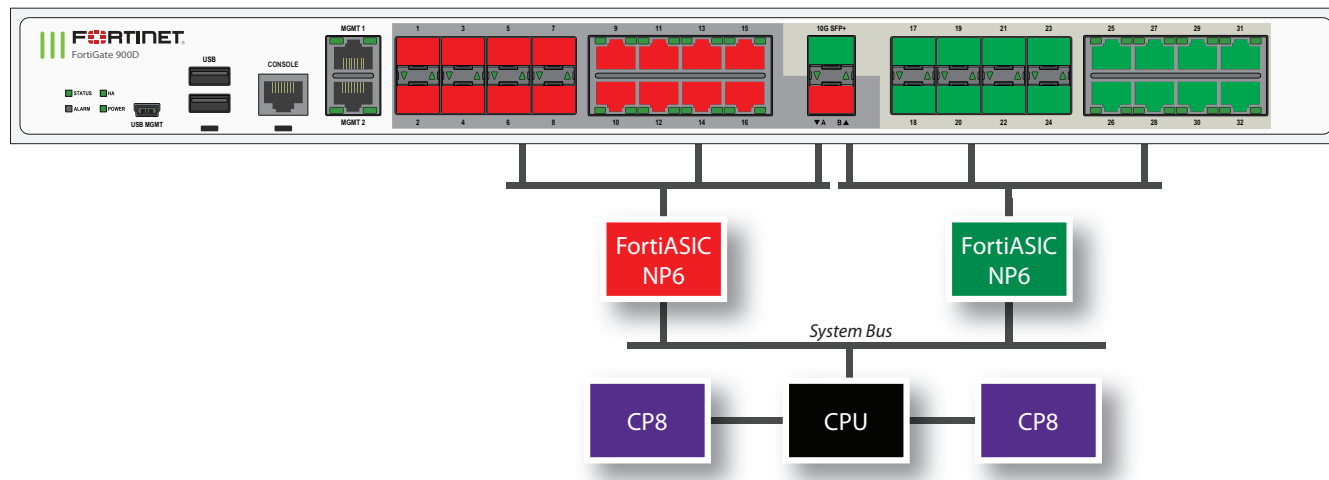
FortiGate 900D fast path architecture

The FortiGate 900D includes two NP6 processors that are not connected by an integrated switch fabric (ISF). Without an ISF, traffic through a FortiGate 900D could experience lower latency than traffic through similar hardware with an ISF. The NP6 processors are connected to network interfaces as follows:



Because the FortiGate 900D does not have an ISF you cannot create Link Aggregation Groups (LAGs) that include interfaces connected to both NP6 processors.

- Eight 1Gb SFP interfaces (port17-port24), eight 1Gb RJ-45 Ethernet interfaces (port25-32) and one 10Gb SFP+ interface (portB) share connections to the first NP6 processor.
- Eight 1Gb SFP interfaces (port1-port8), eight RJ-45 Ethernet interfaces (port9-16) and one 10Gb SFP+ interface (portA) share connections to the second NP6 processor.



You can use the following `get` command to display the FortiGate 900D NP6 configuration. The command output shows two NP6s named `NP6_0` and `NP6_1`. The output also shows the interfaces (ports) connected to each NP6. You can also use the `diagnose npu np6 port-list` command to display this information.

```
get hardware npu np6 port-list
Chip  XAUI Ports  Max  Cross-chip
      Speed offloading
-----
np6_0  0
      1  port17  1G   Yes
      1  port18  1G   Yes
      1  port19  1G   Yes
      1  port20  1G   Yes
      1  port21  1G   Yes
      1  port22  1G   Yes
      1  port23  1G   Yes
```

1	port24	1G	Yes
1	port27	1G	Yes
1	port28	1G	Yes
1	port25	1G	Yes
1	port26	1G	Yes
1	port31	1G	Yes
1	port32	1G	Yes
1	port29	1G	Yes
1	port30	1G	Yes
2	portB	10G	Yes
3			

np6_1	0		
1	port1	1G	Yes
1	port2	1G	Yes
1	port3	1G	Yes
1	port4	1G	Yes
1	port5	1G	Yes
1	port6	1G	Yes
1	port7	1G	Yes
1	port8	1G	Yes
1	port11	1G	Yes
1	port12	1G	Yes
1	port9	1G	Yes
1	port10	1G	Yes
1	port15	1G	Yes
1	port16	1G	Yes
1	port13	1G	Yes
1	port14	1G	Yes
2	portA	10G	Yes
3			

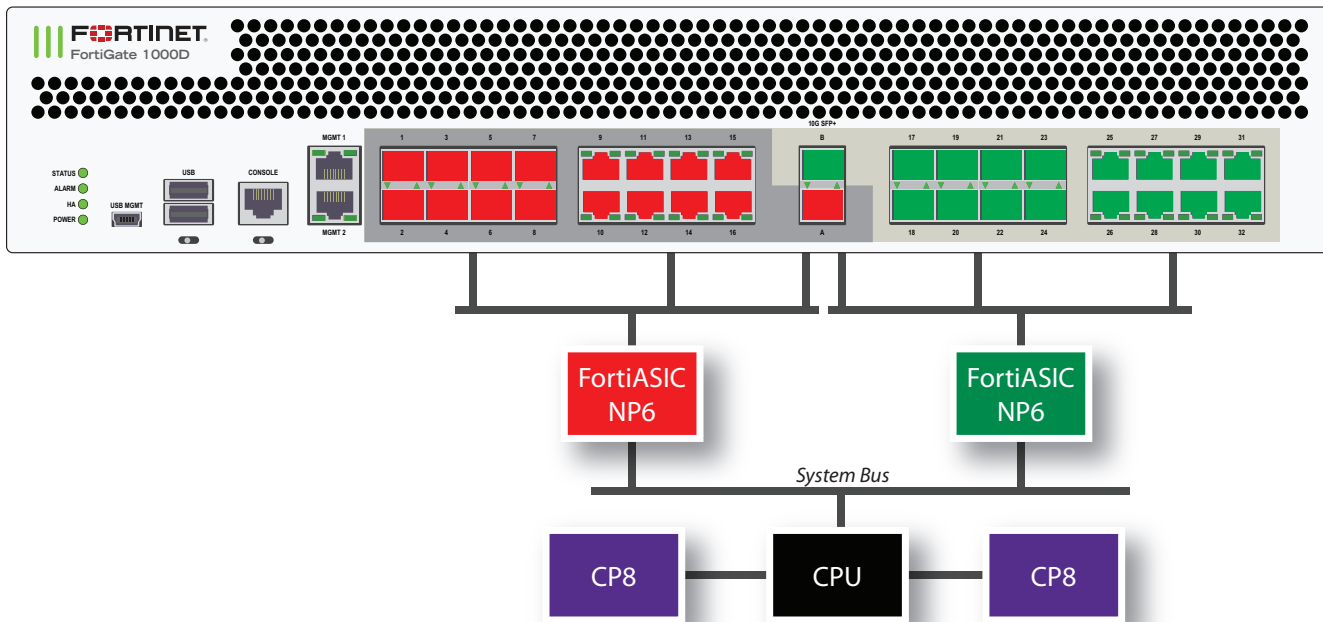
FortiGate 1000D fast path architecture

The FortiGate 1000D includes two NP6 processors that are not connected by an integrated switch fabric (ISF). The NP6 processors are connected to network interfaces as follows:



Because the FortiGate 1000D does not have an ISF you cannot create Link Aggregation Groups (LAGs) or redundant interfaces that include interfaces connected to both NP6 processors.

- Eight 1Gb SFP interfaces (port17-port24), eight 1Gb RJ-45 Ethernet interfaces (port25-32) and one 10Gb SFP+ interface (portB) share connections to the first NP6 processor.
- Eight 1Gb SFP interfaces (port1-port8), eight RJ-45 Ethernet interfaces (port9-16) and one 10Gb SFP+ interface (portA) share connections to the second NP6 processor.



You can use the following get command to display the FortiGate 1000D NP6 configuration. The command output shows two NP6s named NP6_0 and NP6_1. The output also shows the interfaces (ports) connected to each NP6. You can also use the diagnose npu np6 port-list command to display this information.

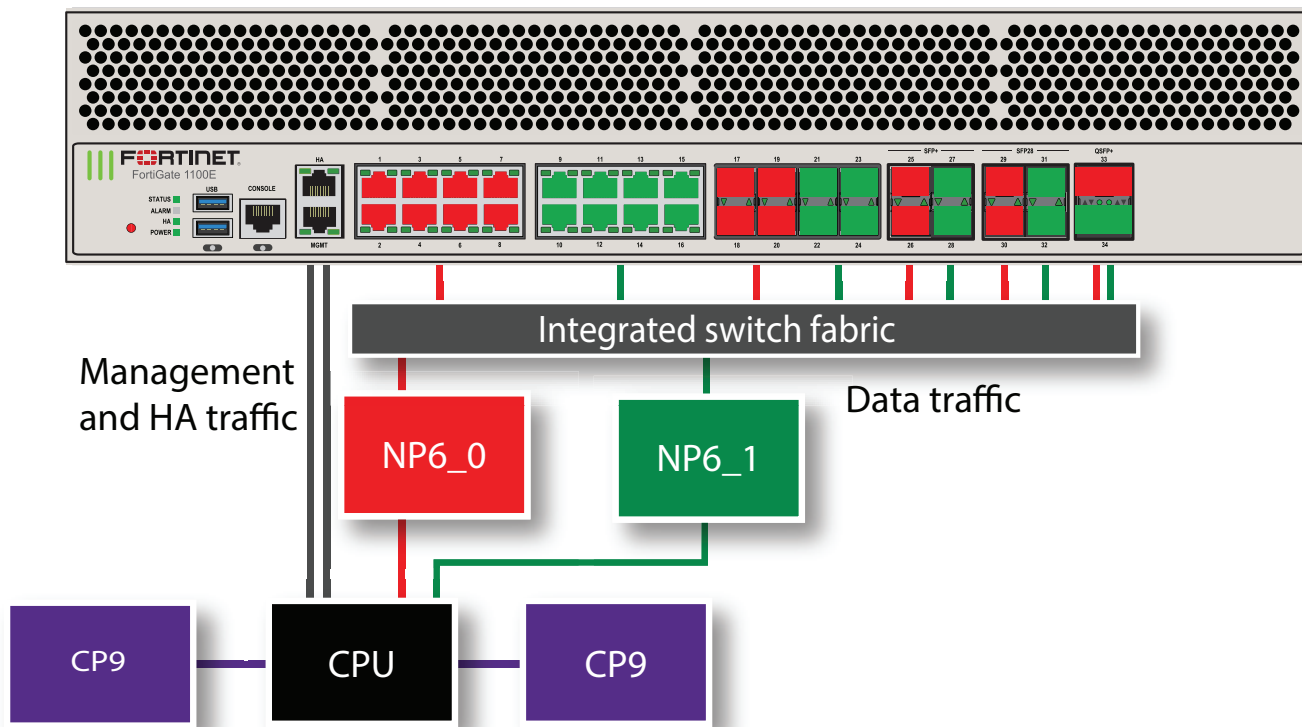
```
get hardware npu np6 port-list
Chip  XAUI Ports  Max  Cross-chip
      Speed offloading
-----
np6_0  0
      1  port17  1G   Yes
      1  port18  1G   Yes
      1  port19  1G   Yes
      1  port20  1G   Yes
      1  port21  1G   Yes
      1  port22  1G   Yes
      1  port23  1G   Yes
      1  port24  1G   Yes
      1  port27  1G   Yes
      1  port28  1G   Yes
      1  port25  1G   Yes
      1  port26  1G   Yes
      1  port31  1G   Yes
      1  port32  1G   Yes
      1  port29  1G   Yes
      1  port30  1G   Yes
      2  portB   10G  Yes
      3
-----
np6_1  0
      1  port1  1G   Yes
      1  port2  1G   Yes
      1  port3  1G   Yes
      1  port4  1G   Yes
      1  port5  1G   Yes
```

1	port6	1G	Yes
1	port7	1G	Yes
1	port8	1G	Yes
1	port11	1G	Yes
1	port12	1G	Yes
1	port9	1G	Yes
1	port10	1G	Yes
1	port15	1G	Yes
1	port16	1G	Yes
1	port13	1G	Yes
1	port14	1G	Yes
2	portA	10G	Yes
3			

FortiGate 1100E and 1101E fast path architecture

The FortiGate 1100E and 1101E models feature the following front panel interfaces:

- Two 10/100/1000BASE-T Copper (HA and MGMT, not connected to the NP6 processors)
- Sixteen 10/100/1000BASE-T Copper (1 to 16)
- Eight 1 GigE SFP (17 - 24)
- Four 10 GigE SFP+ (25 - 28)
- Four 25 GigE SFP28 (29 - 32) interface group: 29 - 32
- Two 40 GigE QSFP+ (33 and 34)



The FortiGate 1100E and 1101E each include two NP6 processors. All front panel data interfaces and both NP6 processors connect to the integrated switch fabric (ISF). All data traffic passes from the data interfaces through the ISF to the NP6 processors. Because of the ISF, all supported traffic passing between any two data interfaces can be offloaded by the NP6 processors. Data traffic processed by the CPU takes a dedicated data path through the ISF and an NP6 processor to the CPU.

The MGMT interface is not connected to the NP6 processors. Management traffic passes to the CPU over a dedicated management path that is separate from the data path. You can also dedicate separate CPU resources for management traffic to further isolate management processing from data processing (see [Dedicated management CPU on page 25](#)).

The HA interface is also not connected to the NP6 processors. To help provide better HA stability and resiliency, HA traffic uses a dedicated physical control path that provides HA control traffic separation from data traffic processing.

The separation of management and HA traffic from data traffic keeps management and HA traffic from affecting the stability and performance of data traffic processing.

You can use the following command to display the FortiGate 1100E or 1101E NP6 configuration. The command output shows two NP6s named NP6_0 and NP6_1 and the interfaces (ports) connected to each NP6. This interface to NP6 mapping is also shown in the diagram above.

The command output also shows the XAUI configuration for each NP6 processor. Each NP6 processor has a 40-Gigabit bandwidth capacity. Traffic passes to each NP6 processor over four 10-Gigabit XAUI links. The XAUI links are numbered 0 to 3.

You can also use the `diagnose npu np6 port-list` command to display this information.

```
get hardware npu np6 port-list
```

Chip	XAUI	Ports	QSGMII	Max Speed	Cross-chip offloading
np6_0	0	port20	NA	1G	Yes
	0	port1	NA	1G	Yes
	0	port2	NA	1G	Yes
	1	port19	NA	1G	Yes
	1	port3	NA	1G	Yes
	1	port4	NA	1G	Yes
	2	port18	NA	1G	Yes
	2	port5	NA	1G	Yes
	2	port6	NA	1G	Yes
	3	port17	NA	1G	Yes
	3	port7	NA	1G	Yes
	3	port8	NA	1G	Yes
	0-3	port25	NA	10G	Yes
	0-3	port26	NA	10G	Yes
	0-3	port29	NA	25G	Yes
	0-3	port30	NA	25G	Yes
0-3	port33	NA	40G	Yes	
np6_1	0	port24	NA	1G	Yes
	0	port9	NA	1G	Yes
	0	port10	NA	1G	Yes
	1	port23	NA	1G	Yes
	1	port11	NA	1G	Yes
	1	port12	NA	1G	Yes
	2	port22	NA	1G	Yes
	2	port13	NA	1G	Yes
	2	port14	NA	1G	Yes

3	port21	NA	1G	Yes
3	port15	NA	1G	Yes
3	port16	NA	1G	Yes
0-3	port27	NA	10G	Yes
0-3	port28	NA	10G	Yes
0-3	port31	NA	25G	Yes
0-3	port32	NA	25G	Yes
0-3	port34	NA	40G	Yes

Distributing traffic evenly among the NP6 processors can optimize performance. For details, see [Optimizing NP6 performance by distributing traffic to XAUI links on page 38](#).

You can also add LAGs to improve performance. For details, see [Increasing NP6 offloading capacity using link aggregation groups \(LAGs\) on page 42](#).

Interface groups and changing data interface speeds

FortiGate-1100E and 1101E front panel data interfaces 29 to 32 are in an interface group and all operate at the same speed. Changing the speed of an interface in this group changes the speeds of all of the interfaces in the group.

For example, the default speed of the port29 to port32 interfaces is 25Gbps. If you want to install 10GigE transceivers in port29 to port32 to convert all of these data interfaces to connect to 10Gbps networks, you can enter the following from the CLI:

```
config system interface
  edit port29
    set speed 10000full
  end
```

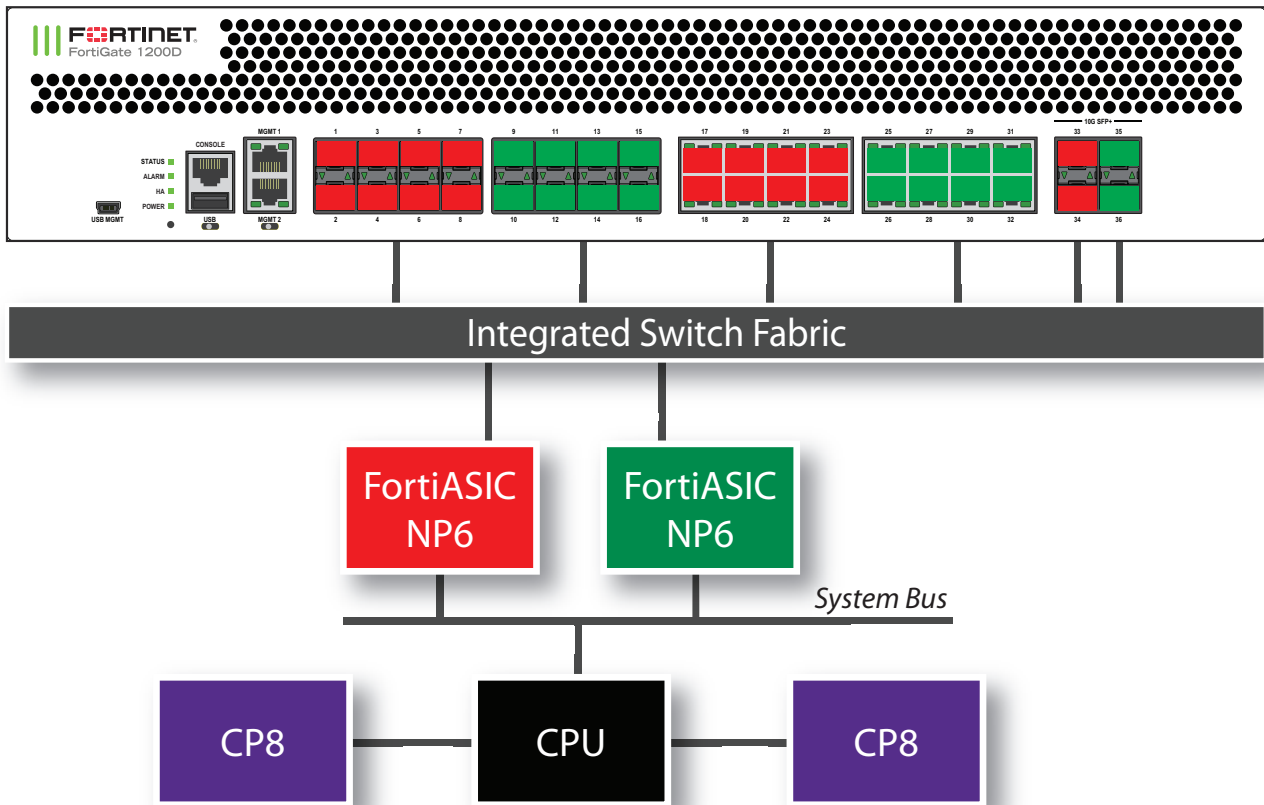
Every time you change a data interface speed, when you enter the `end` command, the CLI confirms the range of interfaces affected by the change. For example, if you change the speed of port29 the following message appears:

```
config system interface
  edit port29
    set speed 10000full
  end
port29-port32 speed will be changed to 10000full due to hardware limit.
Do you want to continue? (y/n)
```

FortiGate 1200D fast path architecture

The FortiGate 1200D features two NP6 processors both connected to an integrated switch fabric.

- Eight SFP 1Gb interfaces (port1-port8), eight RJ-45 Ethernet ports (port17-24) and two SFP+ 10Gb interfaces (port33 and port34) share connections to the first NP6 processor.
- Eight SFP 1Gb interfaces (port9-port16), eight RJ-45 Ethernet ports (port25-32) and two SFP+ 10Gb interfaces (port35-port36) share connections to the second NP6 processor.



You can use the following get command to display the FortiGate 1200D NP6 configuration. The command output shows two NP6s named NP6_0 and NP6_1. The output also shows the interfaces (ports) connected to each NP6. You can also use the diagnose npu np6 port-list command to display this information.

```
get hardware npu np6 port-list
Chip  XAUI Ports  Max  Cross-chip
      Speed offloading
-----
np6_0  0   port33  10G  Yes
      1   port34  10G  Yes
      2   port1   1G   Yes
      2   port3   1G   Yes
      2   port5   1G   Yes
      2   port7   1G   Yes
      2   port17  1G   Yes
      2   port19  1G   Yes
      2   port21  1G   Yes
      2   port23  1G   Yes
      3   port2   1G   Yes
      3   port4   1G   Yes
      3   port6   1G   Yes
      3   port8   1G   Yes
      3   port18  1G   Yes
      3   port20  1G   Yes
      3   port22  1G   Yes
      3   port24  1G   Yes
-----
```

np6_1	0	port35	10G	Yes
	1	port36	10G	Yes
	2	port9	1G	Yes
	2	port11	1G	Yes
	2	port13	1G	Yes
	2	port15	1G	Yes
	2	port25	1G	Yes
	2	port27	1G	Yes
	2	port29	1G	Yes
	2	port31	1G	Yes
	3	port10	1G	Yes
	3	port12	1G	Yes
	3	port14	1G	Yes
	3	port16	1G	Yes
	3	port26	1G	Yes
	3	port28	1G	Yes
	3	port30	1G	Yes
	3	port32	1G	Yes

Improving FortiGate 1200D connections per second performance

On the FortiGate 1200D, you can use the following command to potentially improve connections per second (CPS) performance:

```
config system npu
  set np6-cps-optimization-mode {disable | enable}
end
```

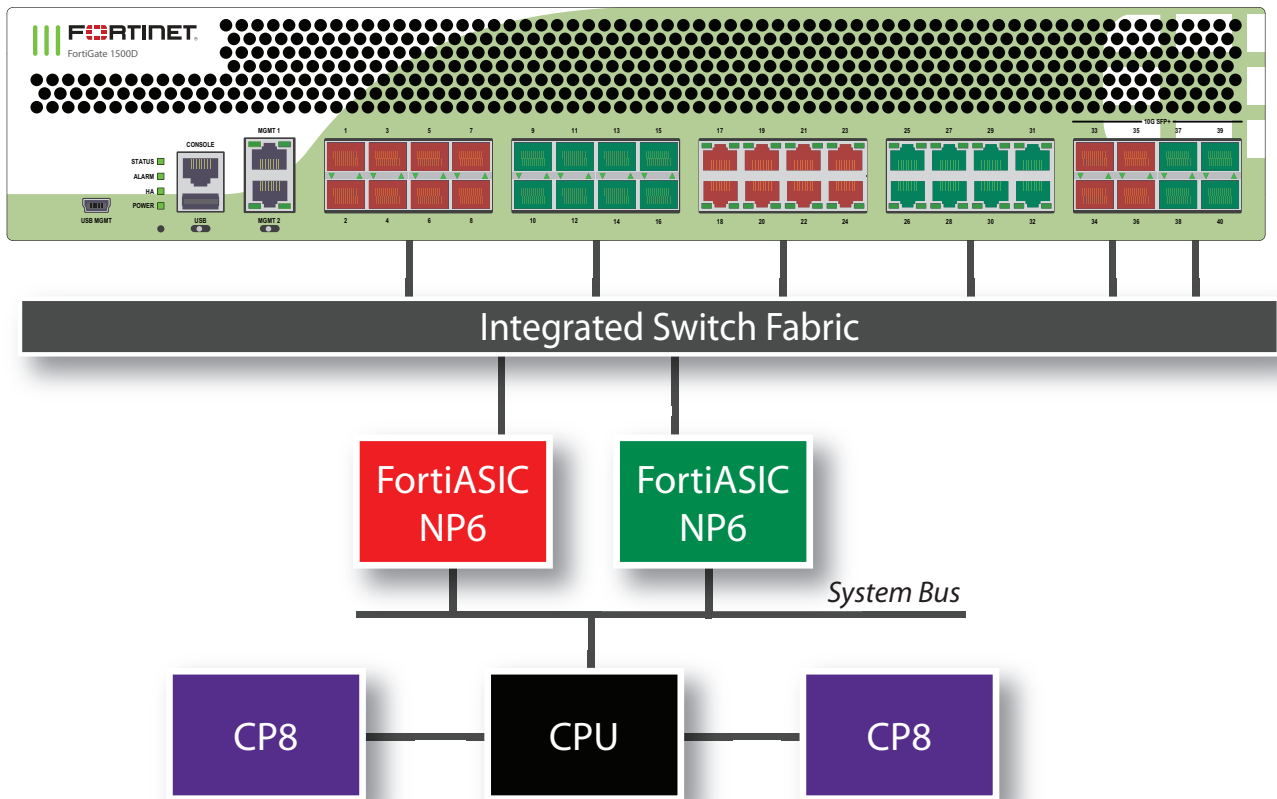
Disabled by default, enabling this option can increase CPS performance by using more CPUs for interrupt processing. If your FortiGate 1200D is processing very large numbers sessions with short life times, you can try enabling this feature to see if performance improves.

Enabling or disabling `np6-cps-optimization-mode` requires a system restart. You should only change this setting during a maintenance window or quiet period.

FortiGate 1500D fast path architecture

The FortiGate 1500D features two NP6 processors both connected to an integrated switch fabric.

- Eight SFP 1Gb interfaces (port1-port8), eight RJ-45 1Gb Ethernet interfaces (port17-24) and four SFP+ 10Gb interfaces (port33-port36) share connections to the first NP6 processor.
- Eight SFP 1Gb interfaces (port9-port16), eight RJ-45 1Gb Ethernet interfaces (port25-32) and four SFP+ 10Gb interfaces (port37-port40) share connections to the second NP6 processor.



You can use the following get command to display the FortiGate 1500D NP6 configuration. The command output shows two NP6s named NP6_0 and NP6_1. The output also shows the interfaces (ports) connected to each NP6. You can also use the diagnose npu np6 port-list command to display this information.

```
get hardware npu np6 port-list
Chip  XAUI Ports          Max   Cross-chip
-----  -----          ----  -
np6_0  0   port1                1G    Yes
        0   port5                1G    Yes
        0   port17               1G    Yes
        0   port21               1G    Yes
        0   port33               10G   Yes
        1   port2                1G    Yes
        1   port6                1G    Yes
        1   port18               1G    Yes
        1   port22               1G    Yes
        1   port34               10G   Yes
        2   port3                1G    Yes
        2   port7                1G    Yes
        2   port19               1G    Yes
        2   port23               1G    Yes
        2   port35               10G   Yes
        3   port4                1G    Yes
        3   port8                1G    Yes
        3   port20               1G    Yes
        3   port24               1G    Yes
        3   port36               10G   Yes
```

np6_1	0	port9	1G	Yes
	0	port13	1G	Yes
	0	port25	1G	Yes
	0	port29	1G	Yes
	0	port37	10G	Yes
	1	port10	1G	Yes
	1	port14	1G	Yes
	1	port26	1G	Yes
	1	port30	1G	Yes
	1	port38	10G	Yes
	2	port11	1G	Yes
	2	port15	1G	Yes
	2	port27	1G	Yes
	2	port31	1G	Yes
	2	port39	10G	Yes
	3	port12	1G	Yes
	3	port16	1G	Yes
	3	port28	1G	Yes
	3	port32	1G	Yes
	3	port40	10G	Yes

Improving FortiGate 1500D connections per second performance

On the FortiGate 1500D, you can use the following command to potentially improve connections per second (CPS) performance:

```
config system npu
  set np6-cps-optimization-mode {disable | enable}
end
```

Disabled by default, enabling this option can increase CPS performance by using more CPUs for interrupt processing. If your FortiGate 1500D is processing very large numbers sessions with short life times, you can try enabling this feature to see if performance improves.

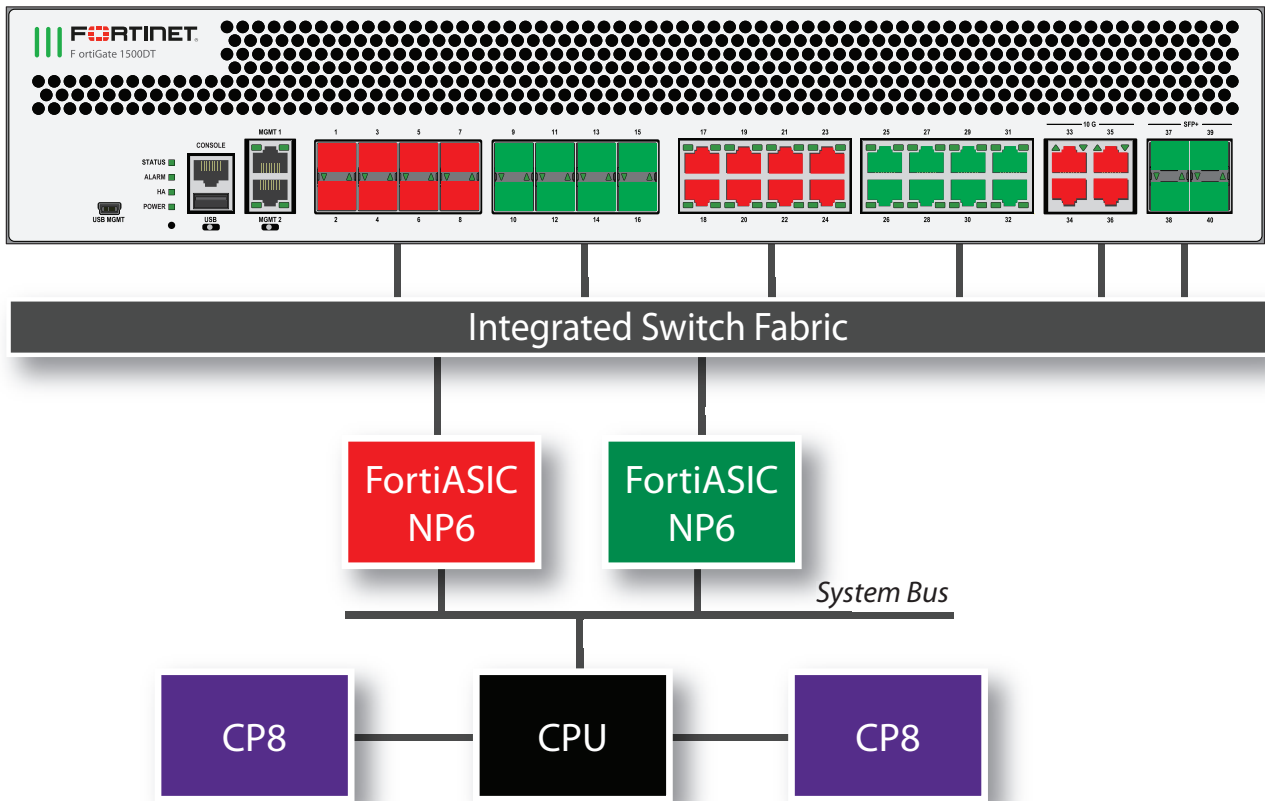
Enabling or disabling `np6-cps-optimization-mode` requires a system restart. You should only change this setting during a maintenance window or quiet period.

FortiGate 1500DT fast path architecture

The FortiGate 1500DT features two NP6 processors both connected to an integrated switch fabric. The FortiGate 1500DT has the same hardware configuration as the FortiGate 1500D, but with the addition of newer CPUs and a slightly different interface configuration.

The FortiGate 1500DT includes the following interfaces and NP6 processors:

- Eight SFP 1Gb interfaces (port1-port8), eight RJ-45 1Gb Ethernet interfaces (port17-24) and four RJ-45 10Gb Ethernet interfaces (port33-port36) share connections to the first NP6 processor.
- Eight SFP 1Gb interfaces (port9-port16), eight RJ-45 1Gb Ethernet ports (port25-32) and four SFP+ 10Gb interfaces (port37-port40) share connections to the second NP6 processor.



You can use the following get command to display the FortiGate 1500DT NP6 configuration. The command output shows two NP6s named NP6_0 and NP6_1. The output also shows the interfaces (ports) connected to each NP6. You can also use the diagnose npu np6 port-list command to display this information.

```
get hardware npu np6 port-list
Chip  XAUI Ports  Max  Cross-chip
      Speed offloading
-----
np6_0  0    port1    1G   Yes
      0    port5    1G   Yes
      0    port17   1G   Yes
      0    port21   1G   Yes
      0    port33   10G  Yes
      1    port2    1G   Yes
      1    port6    1G   Yes
      1    port18   1G   Yes
      1    port22   1G   Yes
      1    port34   10G  Yes
      2    port3    1G   Yes
      2    port7    1G   Yes
      2    port19   1G   Yes
      2    port23   1G   Yes
      2    port35   10G  Yes
      3    port4    1G   Yes
      3    port8    1G   Yes
      3    port20   1G   Yes
      3    port24   1G   Yes
```

	3	port36	10G	Yes
np6_1	0	port9	1G	Yes
	0	port13	1G	Yes
	0	port25	1G	Yes
	0	port29	1G	Yes
	0	port37	10G	Yes
	1	port10	1G	Yes
	1	port14	1G	Yes
	1	port26	1G	Yes
	1	port30	1G	Yes
	1	port38	10G	Yes
	2	port11	1G	Yes
	2	port15	1G	Yes
	2	port27	1G	Yes
	2	port31	1G	Yes
	2	port39	10G	Yes
	3	port12	1G	Yes
	3	port16	1G	Yes
	3	port28	1G	Yes
	3	port32	1G	Yes
	3	port40	10G	Yes

Improving FortiGate 1500DT connections per second performance

On the FortiGate 1500DT, you can use the following command to potentially improve connections per second (CPS) performance:

```
config system npu
  set np6-cps-optimization-mode {disable | enable}
end
```

Disabled by default, enabling this option can increase CPS performance by using more CPUs for interrupt processing. If your FortiGate 1500DT is processing very large numbers sessions with short life times, you can try enabling this feature to see if performance improves.

Enabling or disabling `np6-cps-optimization-mode` requires a system restart. You should only change this setting during a maintenance window or quiet period.

FortiGate 2000E fast path architecture

The FortiGate 2000E features the following front panel interfaces:

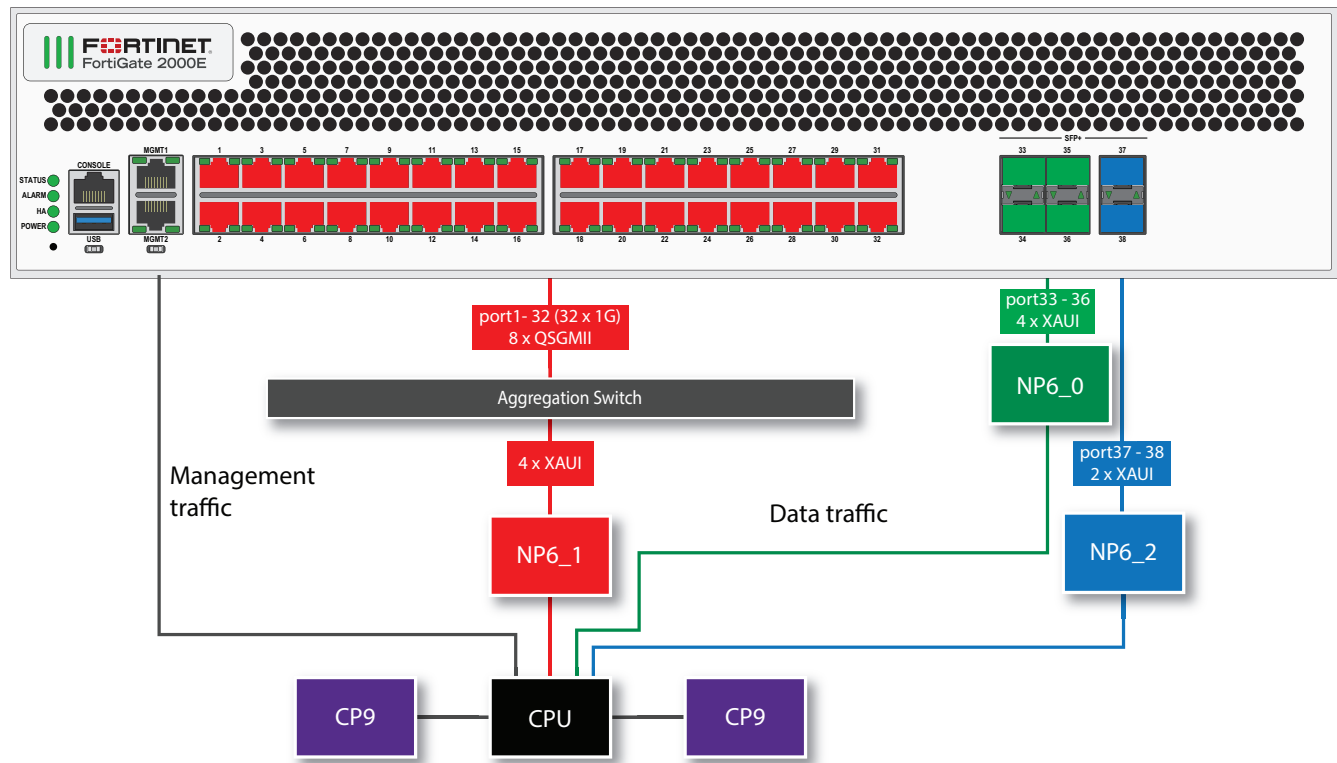
- Two 10/100/1000BASE-T Copper interfaces (MGMT1 and MGMT2, not connected to the NP6 processors)
- Thirty-two 10/100/1000BASE-T interfaces (1 to 32)
- Four 10GigE SFP+ interfaces (33 to 36)
- Two 10GigE SFP+ (37 and 38)

The FortiGate 2000E includes three NP6 processors in an NP Direct configuration. The NP6 processors connected to the 10GigE ports are also in a low latency NP Direct configuration. Because of NP Direct, you cannot create Link Aggregation Groups (LAGs) or redundant interfaces between interfaces connected to different NP6s. As well, traffic will only be offloaded if it enters and exits the FortiGate on interfaces connected to the same NP6.

The NP6s are connected to network interfaces as follows:

- NP6_0 is connected to 33 to 36 in a low latency configuration
- NP6_1 is connected to 1 to 32
- NP6_2 is connected to 37 and 38 in a low latency configuration

The following diagram also shows the XAUI and QSGMII port connections between the NP6 processors and the front panel interfaces and the aggregate switch for the thirty-two 10/100/1000BASE-T interfaces.



All data traffic passes from the data interfaces to the NP6 processors. Data traffic processed by the CPU takes a dedicated data path through the ISF and an NP6 processor to the CPU.

The MGMT interfaces are not connected to the NP6 processors. Management traffic passes to the CPU over a dedicated management path that is separate from the data paths. You can also dedicate separate CPU resources for management traffic to further isolate management processing from data processing (see [Dedicated management CPU on page 25](#)). This separation of management traffic from data traffic keeps management traffic from interfering with the stability and performance of data traffic processing.

You can use the following get command to display the FortiGate 2000E NP6 configuration. You can also use the diagnose npu np6 port-list command to display this information.

```
get hardware npu np6 port-list
Chip  XAUI Ports  Max  Cross-chip
      Speed offloading
-----
```

np6_1	0	port1	1G	No
	0	port5	1G	No
	0	port9	1G	No
	0	port13	1G	No
	0	port17	1G	No
	0	port21	1G	No
	0	port25	1G	No
	0	port29	1G	No
	1	port2	1G	No
	1	port6	1G	No
	1	port10	1G	No
	1	port14	1G	No
	1	port18	1G	No
	1	port22	1G	No
	1	port26	1G	No
	1	port30	1G	No
	2	port3	1G	No
	2	port7	1G	No
	2	port11	1G	No
	2	port15	1G	No
	2	port19	1G	No
	2	port23	1G	No
	2	port27	1G	No
	2	port31	1G	No
	3	port4	1G	No
	3	port8	1G	No
	3	port12	1G	No
	3	port16	1G	No
	3	port20	1G	No
	3	port24	1G	No
	3	port28	1G	No
	3	port32	1G	No

np6_0	0	port33	10G	No
	1	port34	10G	No
	2	port35	10G	No
	3	port36	10G	No

np6_2	0	port37	10G	No
	1	port38	10G	No

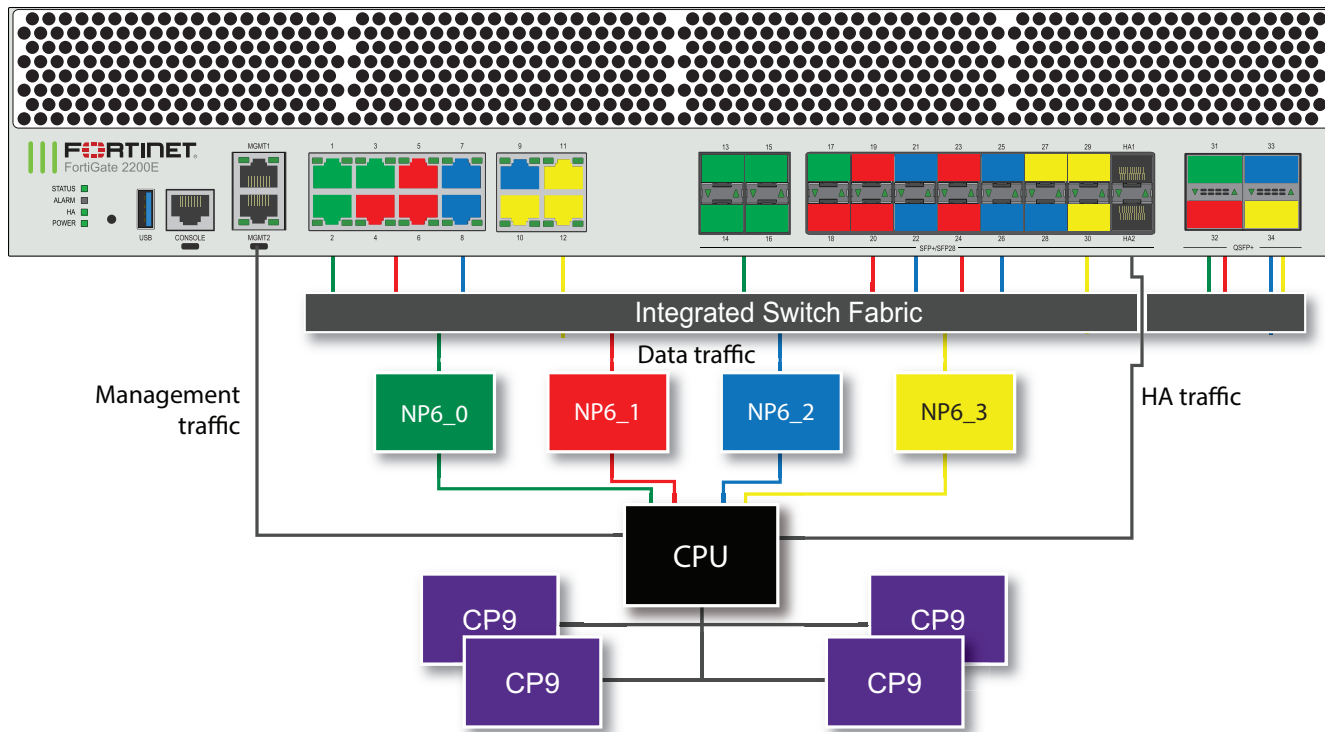
FortiGate 2200E and 2201E fast path architecture

The FortiGate 2200E and 2201E models feature the following front panel interfaces:

- Two 10/100/1000BASE-T Copper (MGMT1 and MGMT2)
- Twelve 10/100/1000BASE-T Copper (1 to 12)
- Eighteen 10/25 GigE SFP+/SFP28 (13 to 28), interface groups: 13 - 16, 17 - 20, 21 - 24, and 25 - 28
- Four 10/25 GigE SFP+/SFP28 (29, 30, HA1 and HA2), interface groups: 29 - HA1 and 30 - HA2 (the HA interfaces)

are not connected to the NP6 processor)

- Four 40 GigE QSFP+ (31 to 34)



You can use the following command to display the FortiGate 2200E or 2201E NP6 configuration. The command output shows four NP6s named NP6_0, NP6_1, and NP6_2 and the interfaces (ports) connected to each NP6. This interface to NP6 mapping is also shown in the diagram above.

The command output also shows the XAUI configuration for each NP6 processor. Each NP6 processor has a 40-Gigabit bandwidth capacity. Traffic passes to each NP6 processor over four 10-Gigabit XAUI links. The XAUI links are numbered 0 to 3.

You can also use the diagnose npu np6 port-list command to display this information.

```
get hardware npu np6 port-list
Chip  XAUI Ports          Max   Cross-chip
      XAUI Ports          Speed offloading
-----
np6_0  0    port1             1G    Yes
      1    port2             1G    Yes
      2    port3             1G    Yes
      3
      0-3  port13            25G   Yes
      0-3  port14            25G   Yes
      0-3  port15            25G   Yes
      0-3  port16            25G   Yes
      0-3  port17            25G   Yes
      0-3  port31            40G   Yes
-----
np6_1  0    port4             1G    Yes
      1    port5             1G    Yes
      2    port6             1G    Yes
```

	3			
	0-3	port18	25G	Yes
	0-3	port19	25G	Yes
	0-3	port20	25G	Yes
	0-3	port24	25G	Yes
	0-3	port23	25G	Yes
	0-3	port32	40G	Yes

np6_2	0	port7	1G	Yes
	1	port8	1G	Yes
	2	port9	1G	Yes
	3			
	0-3	port22	25G	Yes
	0-3	port21	25G	Yes
	0-3	port26	25G	Yes
	0-3	port25	25G	Yes
	0-3	port28	25G	Yes
	0-3	port33	40G	Yes

np6_3	0	port10	1G	Yes
	1	port11	1G	Yes
	2	port12	1G	Yes
	2	port29	10G	Yes
	3	port30	10G	Yes
	0-3	port27	25G	Yes
	0-3	port34	40G	Yes

Distributing traffic evenly among the NP6 processors can optimize performance. For details, see [Optimizing NP6 performance by distributing traffic to XAUI links on page 38](#).

You can also add LAGs to improve performance. For details, see [Increasing NP6 offloading capacity using link aggregation groups \(LAGs\) on page 42](#).

The HA1 and HA2 interfaces are not connected to the NP6 processors. The HA interfaces are instead mapped to a dedicated control path to prevent HA traffic from interfering with the stability and performance of data traffic processing.

Interface groups and changing data interface speeds

FortiGate-2200E and 2201E front panel data interfaces 13 to 30, HA1, and HA2 are divided into the following groups:

- port13 - port16
- port17 - port20
- port21 - port24
- port25 - port28
- port29 - ha1
- port30 - ha2

All of the interfaces in a group operate at the same speed. Changing the speed of an interface changes the speeds of all of the interfaces in the same group. For example, if you change the speed of port26 from 25Gbps to 10Gbps the speeds of port25 to port28 are also changed to 10Gbps.

Another example, port17 to port24 interfaces are operating at 25Gbps. If you want to install 10GigE transceivers in port17 to port24 to convert all of these data interfaces to connect to 10Gbps networks, you can enter the following from the CLI:

```
config system interface
  edit port17
    set speed 10000full
  next
  edit port21
    set speed 10000full
  end
```

Every time you change a data interface speed, when you enter the `end` command, the CLI confirms the range of interfaces affected by the change. For example, if you change the speed of port29 the following message appears:

```
config system interface
  edit port29
    set speed 25000full
  end
port29 hal speed will be changed to 25000full due to hardware limit.
Do you want to continue? (y/n)
```

FortiGate 2500E fast path architecture

The FortiGate 2500E features the following front panel interfaces:

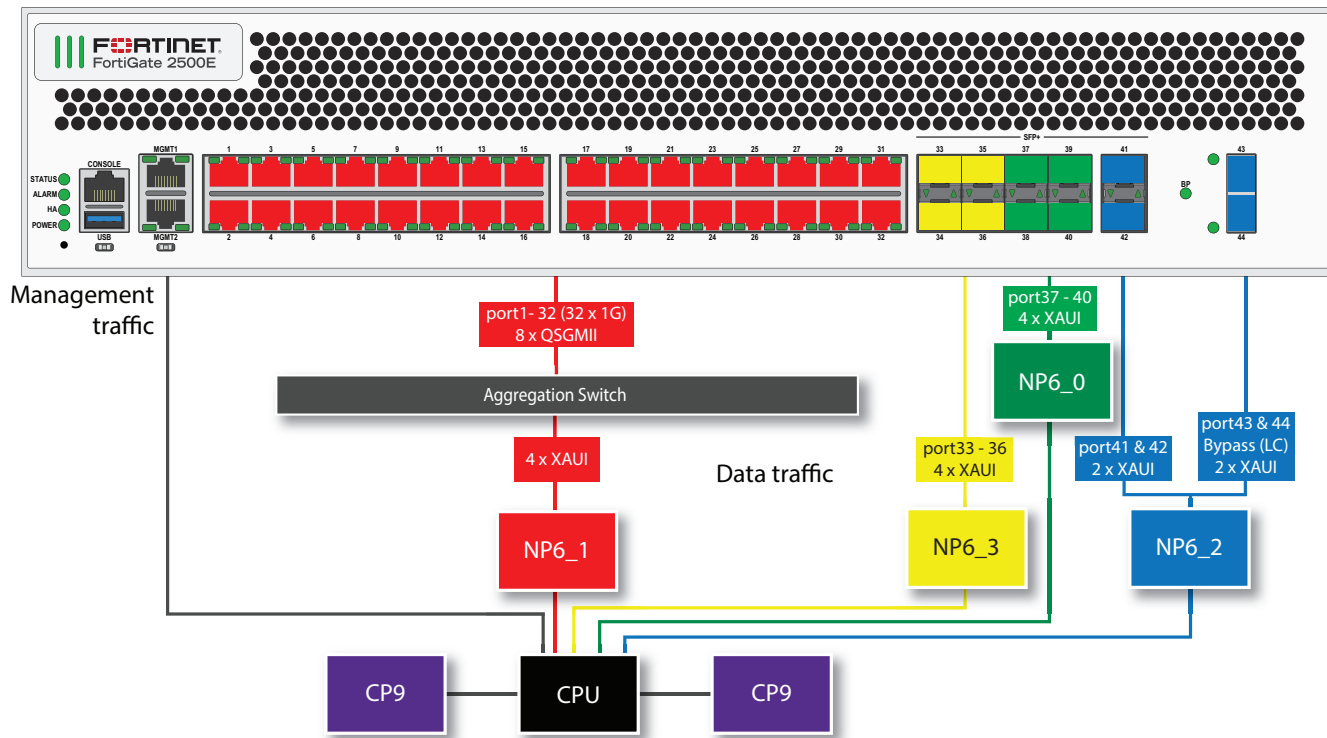
- Two 10/100/1000BASE-T Copper (MGMT1 and MGMT2, not connected to the NP6 processors)
- Thirty-two 10/100/1000BASE-T interfaces (1 to 32)
- Four 10GigE SFP+ interfaces (33 to 36)
- Four 10GigE SFP+ interfaces (37 to 40)
- Two 10GigE SFP+ interfaces (41 and 42)
- Two 10 Gig LC fiber bypass interfaces (43 and 44)

The FortiGate 2500E includes four NP6 processors in an NP Direct configuration. The NP6 processors connected to the 10GigE ports are also in a low latency NP Direct configuration. Because of NP Direct, you cannot create Link Aggregation Groups (LAGs) or redundant interfaces between interfaces connected to different NP6s. As well, traffic will only be offloaded if it enters and exits the FortiGate on interfaces connected to the same NP6.

The NP6s are connected to network interfaces as follows:

- NP6_0 is connected to four 10GigE SFP+ interfaces (port37 to port40) in a low latency configuration.
- NP6_1 is connected to thirty-two 10/100/1000BASE-T interfaces (port1 to port32).
- NP6_2 is connected to two 10GigE SFP+ interfaces (port41 and port42) and two 10 Gig LC fiber bypass interfaces (port43 and port44) in a low latency configuration.
- NP6_3 is connected to four 10GigE SFP+ interfaces (port33 to port36) in a low latency configuration.

The following diagram also shows the XAUI and QSGMII port connections between the NP6 processors and the front panel interfaces and the aggregate switch for the thirty-two 10/100/1000BASE-T interfaces.



All data traffic passes from the data interfaces to the NP6 processors. Data traffic processed by the CPU takes a dedicated data path through the ISF and an NP6 processor to the CPU.

The MGMT interfaces are not connected to the NP6 processors. Management traffic passes to the CPU over a dedicated management path that is separate from the data paths. You can also dedicate separate CPU resources for management traffic to further isolate management processing from data processing (see [Dedicated management CPU on page 25](#)). This separation of management traffic from data traffic keeps management traffic from interfering with the stability and performance of data traffic processing.

You can use the following get command to display the FortiGate 2500E NP6 configuration. You can also use the diagnose npu np6 port-list command to display this information.

```
get hardware npu np6 port-list
Chip  XAUI Ports  Max  Cross-chip
      XAUI Ports  Speed offloading
-----
np6_1  0    port1    1G   No
      0    port5    1G   No
      0    port9    1G   No
      0    port13   1G   No
      0    port17   1G   No
      0    port21   1G   No
      0    port25   1G   No
      0    port29   1G   No
      1    port2    1G   No
      1    port6    1G   No
      1    port10   1G   No
      1    port14   1G   No
      1    port18   1G   No
      1    port22   1G   No
      1    port26   1G   No
```

	1	port30	1G	No
	2	port3	1G	No
	2	port7	1G	No
	2	port11	1G	No
	2	port15	1G	No
	2	port19	1G	No
	2	port23	1G	No
	2	port27	1G	No
	2	port31	1G	No
	3	port4	1G	No
	3	port8	1G	No
	3	port12	1G	No
	3	port16	1G	No
	3	port20	1G	No
	3	port24	1G	No
	3	port28	1G	No
	3	port32	1G	No

np6_0	0	port37	10G	No
	1	port38	10G	No
	2	port39	10G	No
	3	port40	10G	No

np6_2	0	port43	10G	No
	1	port44	10G	No
	2	port41	10G	No
	3	port42	10G	No

np6_3	0	port33	10G	No
	1	port34	10G	No
	2	port35	10G	No
	3	port36	10G	No

Bypass interfaces (port43 and port44)

The FortiGate 2500E includes an internal optical bypass module between interfaces 43 and 44 that provides fail open support. On these two interfaces, LC connectors connect directly to internal short-range (SR) lasers. No transceivers are required. When the FortiGate- 2500E experiences a hardware failure or loses power, or when bypass mode is enabled, these interfaces operate in bypass mode. In bypass mode, interfaces 43 and 44 are optically shunted and all traffic can pass between them, bypassing the FortiOS firewall and the NP6_2 processor.

Interfaces 43 and 44 use an internal short-range (SR) laser, so interfaces 43 and 44 only support SR multi-mode fiber. You cannot use LR or single-mode fiber connections with these interfaces.

When the interfaces switch to bypass mode the FortiGate 2500E acts like an optical patch cable so if packets going through these interfaces use VLANs or other network extensions, the attached upstream or downstream network equipment must be configured for these features.

The FortiGate 2500E will continue to operate in bypass mode until the failed FortiGate 2500E is replaced, power is restored, or bypass mode is disabled. If power is restored or bypass mode is disabled, the FortiGate 2500E resumes operating as a FortiGate device without interrupting traffic flow. Replacing a failed FortiGate 800D disrupts traffic as a technician physically replaces the failed FortiGate 800D with a new one.

During normal operation, the bypass status (B/P) LED glows green. When bypass mode is enabled, this LED glows amber.

Manually enabling bypass-mode

You can manually enable bypass mode if the FortiGate 2500E is operating in transparent mode. You can also manually enable bypass mode for a VDOM if interfaces 43 and 44 are both connected to the same VDOM operating in transparent mode.

Use the following command to enable bypass mode:

```
execute bypass-mode enable
```

This command changes the configuration, so bypass mode will still be enabled if the FortiGate-2500E restarts.

You can use the following command to disable bypass mode:

```
execute bypass-mode disable
```

Configuring bypass settings

You can use the following command to configure how bypass operates.

```
config system bypass
  set bypass-watchdog {disable | enable}
  set poweroff-bypass {disable | enable}
end
```

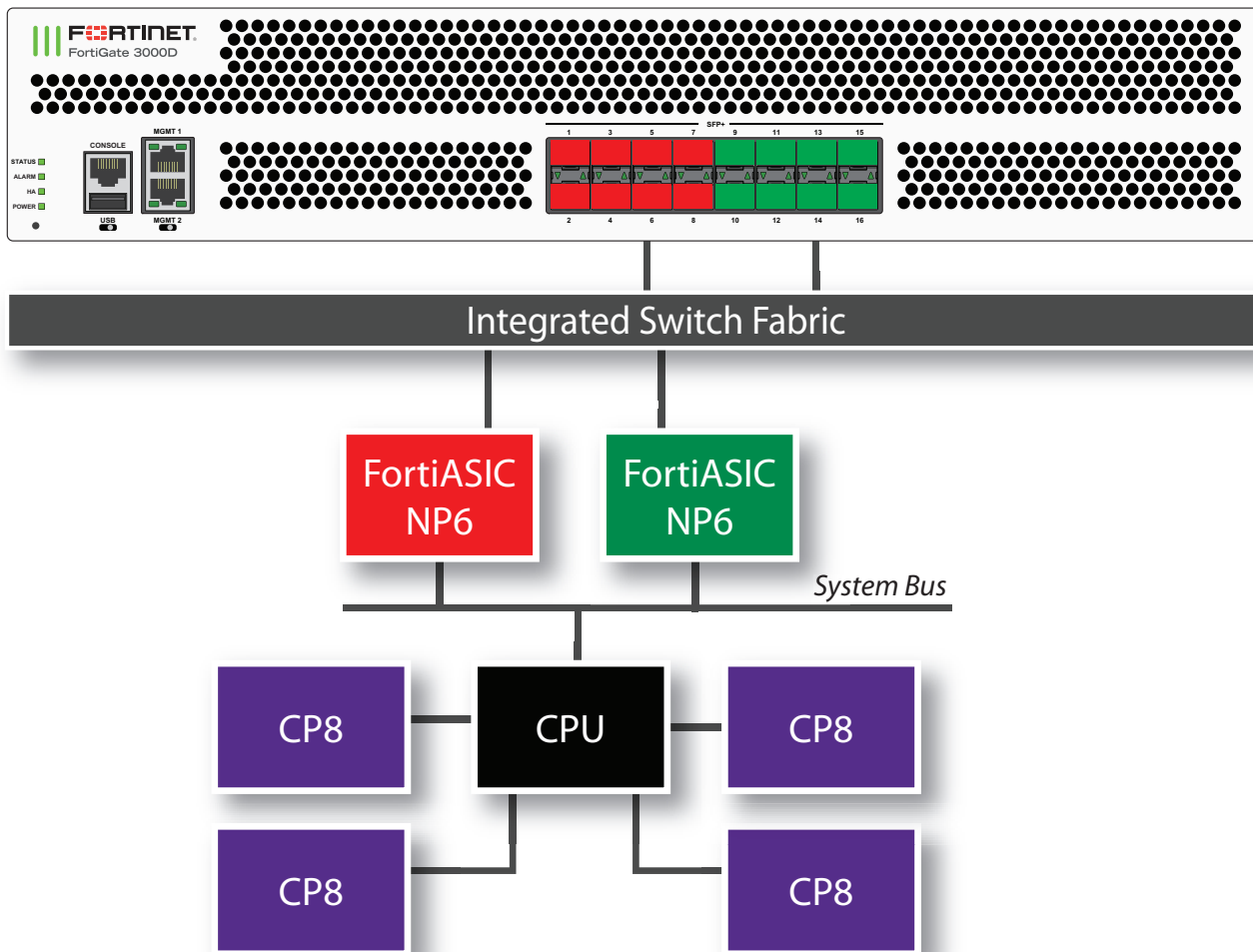
`bypass-watchdog enable` to turn on bypass mode. When bypass mode is turned on, if the bypass watchdog detects a software or hardware failure, bypass mode will be activated.

`poweroff-bypass` if enabled, traffic will be able to pass between the port43 and port44 interfaces if the FortiGate 2500E is powered off.

FortiGate 3000D fast path architecture

The FortiGate 3000D features 16 front panel SFP+ 10Gb interfaces connected to two NP6 processors through an Integrated Switch Fabric (ISF). The FortiGate 3000D has the following fastpath architecture:

- 8 SFP+ 10Gb interfaces, port1 through port8 share connections to the first NP6 processor (np6_0).
- 8 SFP+ 10Gb interfaces, port9 through port16 share connections to the second NP6 processor (np6_1).



You can use the following get command to display the FortiGate 3000D NP6 configuration. The command output shows two NP6s named NP6_0 and NP6_1 and the interfaces (ports) connected to each NP6. You can also use the `diagnose npu np6 port-list` command to display this information.

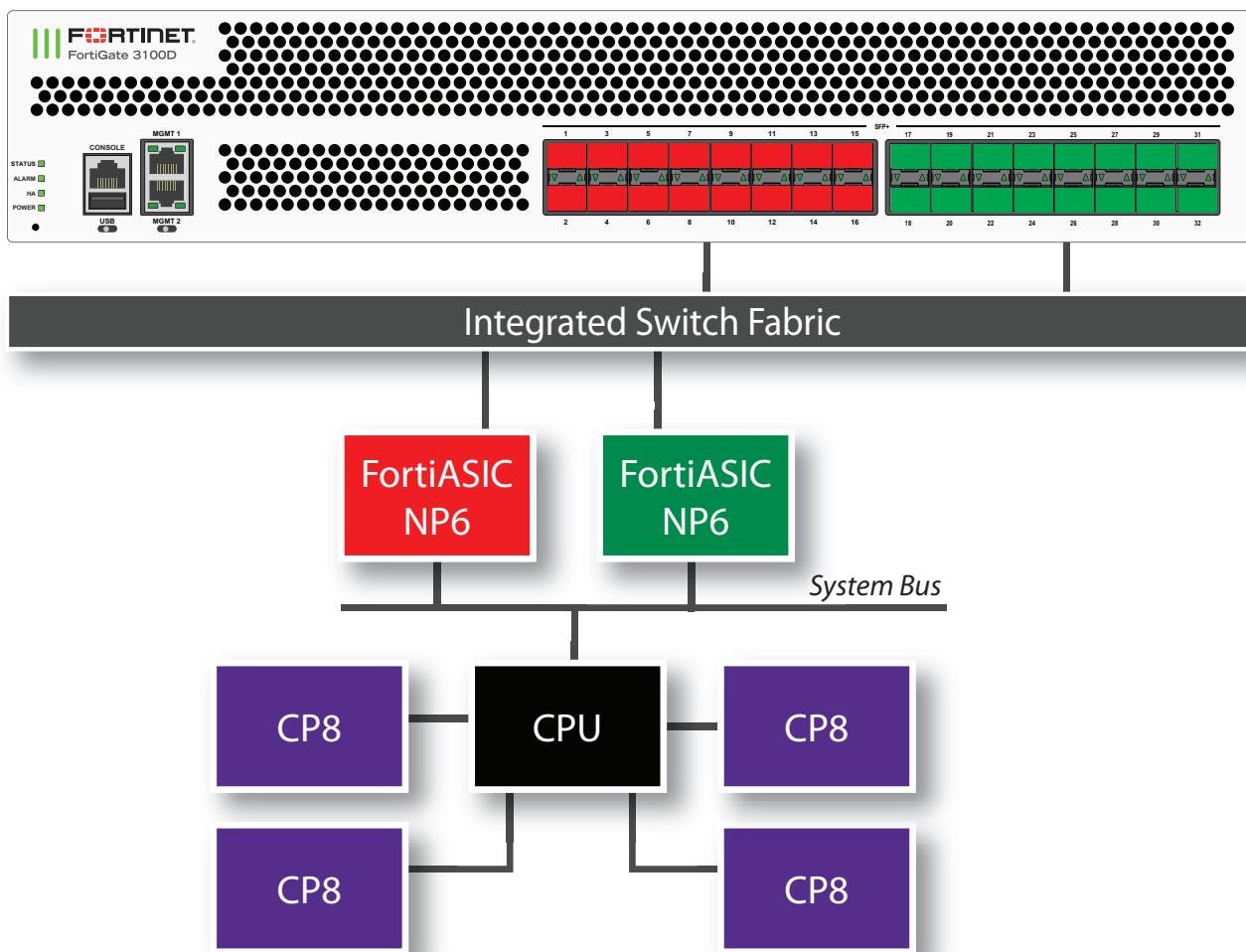
```
get hardware npu np6 port-list
Chip  XAUI Ports  Max  Cross-chip
      XAUI Ports  Speed offloading
-----
np6_0  0    port1    10G  Yes
      0    port6    10G  Yes
      1    port2    10G  Yes
      1    port5    10G  Yes
      2    port3    10G  Yes
      2    port8    10G  Yes
      3    port4    10G  Yes
      3    port7    10G  Yes
-----
np6_1  0    port10   10G  Yes
      0    port13   10G  Yes
      1    port9    10G  Yes
      1    port14   10G  Yes
      2    port12   10G  Yes
```

2	port15	10G	Yes
3	port11	10G	Yes
3	port16	10G	Yes

FortiGate 3100D fast path architecture

The FortiGate 3100D features 32 SFP+ 10Gb interfaces connected to two NP6 processors through an Integrated Switch Fabric (ISF). The FortiGate 3100D has the following fastpath architecture:

- 16 SFP+ 10Gb interfaces, port1 through port16 share connections to the first NP6 processor (np6_0).
- 16 SFP+ 10Gb interfaces, port27 through port32 share connections to the second NP6 processor (np6_1).



You can use the following get command to display the FortiGate 3100D NP6 configuration. The command output shows two NP6s named NP6_0 and NP6_1 and the interfaces (ports) connected to each NP6. You can also use the `diagnose npu np6 port-list` command to display this information.

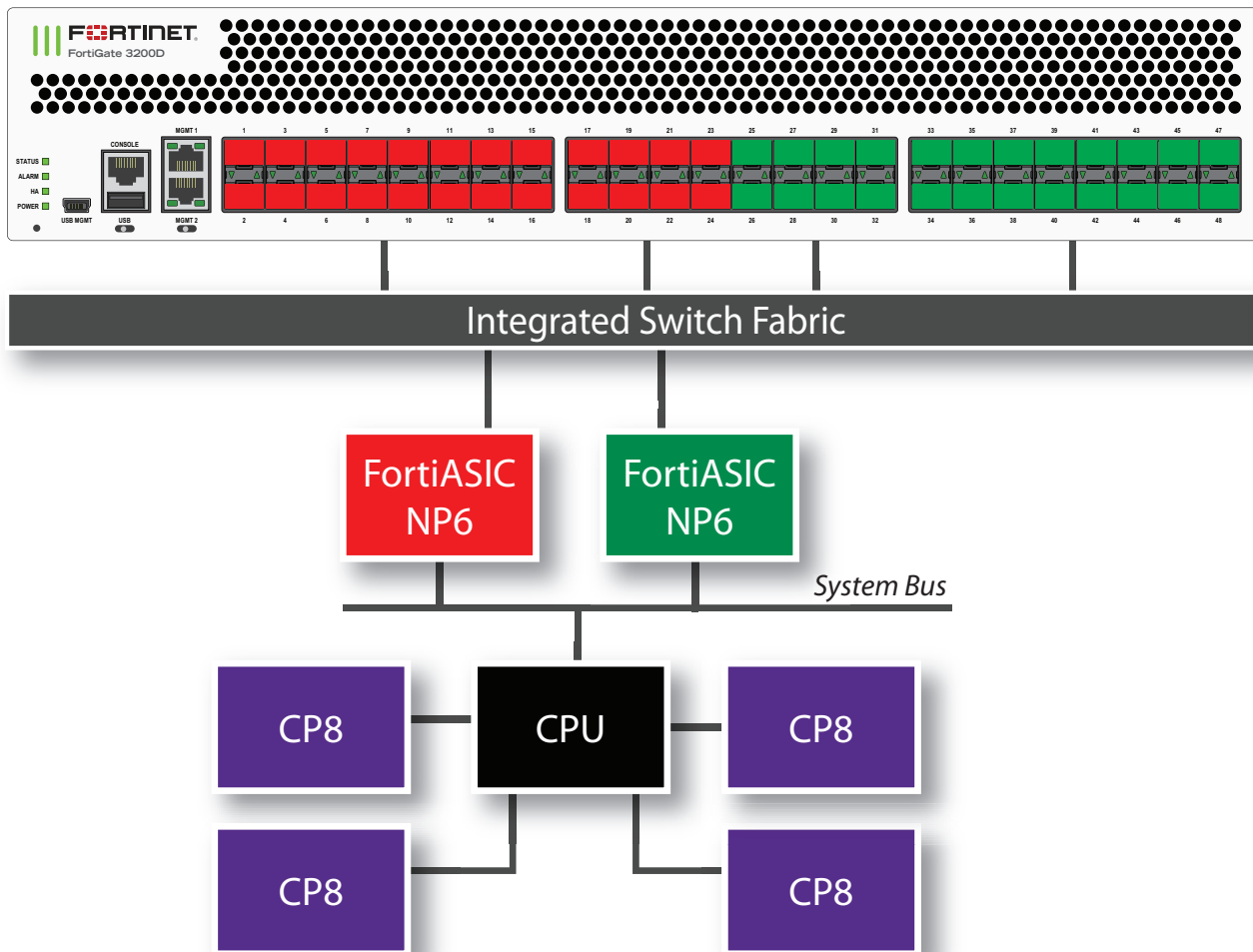
```
get hardware npu np6 port-list
Chip  XAUI Ports  Max  Cross-chip
```


			Speed	offloading
np6_0	0	port1	10G	Yes
	0	port6	10G	Yes
	0	port10	10G	Yes
	0	port13	10G	Yes
	1	port2	10G	Yes
	1	port5	10G	Yes
	1	port9	10G	Yes
	1	port14	10G	Yes
	2	port3	10G	Yes
	2	port8	10G	Yes
	2	port12	10G	Yes
	2	port15	10G	Yes
	3	port4	10G	Yes
	3	port7	10G	Yes
	3	port11	10G	Yes
	3	port16	10G	Yes
np6_1	0	port17	10G	Yes
	0	port21	10G	Yes
	0	port25	10G	Yes
	0	port29	10G	Yes
	1	port18	10G	Yes
	1	port22	10G	Yes
	1	port26	10G	Yes
	1	port30	10G	Yes
	2	port19	10G	Yes
	2	port23	10G	Yes
	2	port27	10G	Yes
	2	port31	10G	Yes
	3	port20	10G	Yes
	3	port24	10G	Yes
	3	port28	10G	Yes
	3	port32	10G	Yes

FortiGate 3200D fast path architecture

The FortiGate 3200D features two NP6 processors connected to an Integrated Switch Fabric (ISF). The FortiGate 3200D has the following fastpath architecture:

- 24 SFP+ 10Gb interfaces, port1 through port24 share connections to the first NP6 processor (np6_0).
- 24 SFP+ 10Gb interfaces, port25 through port48 share connections to the second NP6 processor (np6_1).



You can use the following get command to display the FortiGate 3200D NP6 configuration. The command output shows two NP6s named NP6_0 and NP6_1 and the interfaces (ports) connected to each NP6. You can also use the `diagnose npu np6 port-list` command to display this information.

```
get hardware npu np6 port-list
Chip  XAUI Ports  Max  Cross-chip
      XAUI Ports  Speed offloading
-----
np6_0  0    port1    10G  Yes
      0    port5    10G  Yes
      0    port10   10G  Yes
      0    port13   10G  Yes
      0    port17   10G  Yes
      0    port22   10G  Yes
      1    port2    10G  Yes
      1    port6    10G  Yes
      1    port9    10G  Yes
      1    port14   10G  Yes
      1    port18   10G  Yes
      1    port21   10G  Yes
      2    port3    10G  Yes
      2    port7    10G  Yes
```

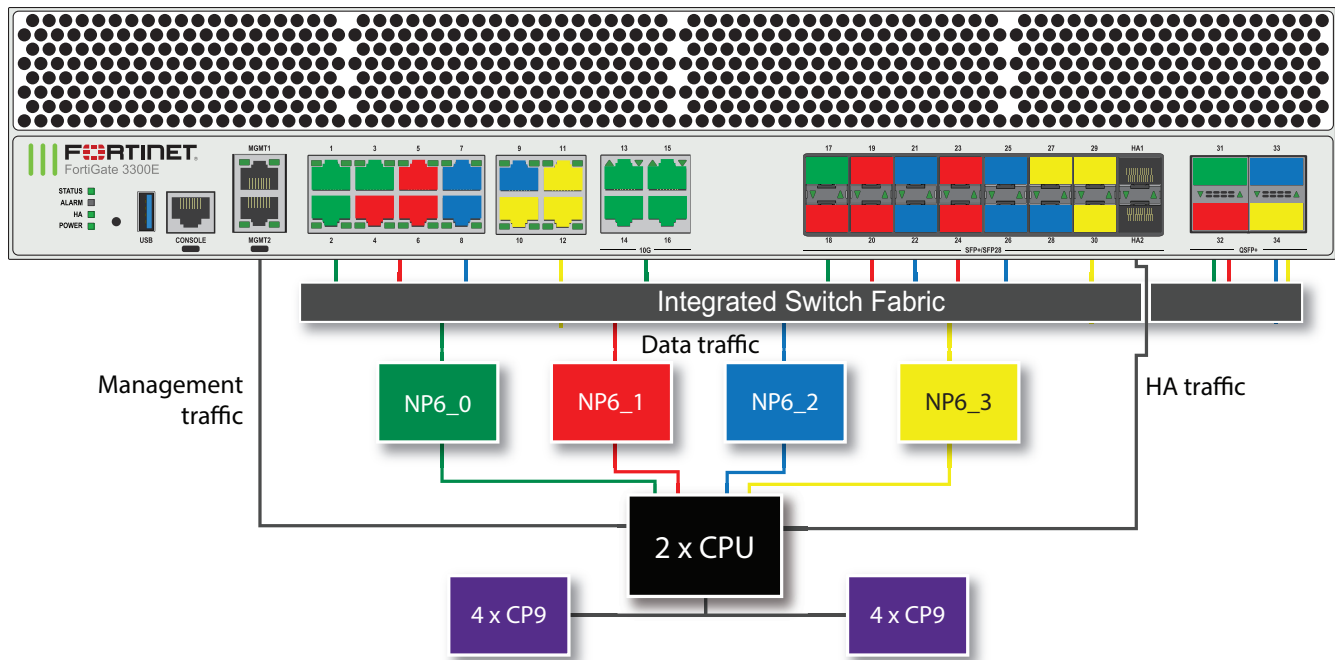
	2	port12	10G	Yes
	2	port15	10G	Yes
	2	port19	10G	Yes
	2	port24	10G	Yes
	3	port4	10G	Yes
	3	port8	10G	Yes
	3	port11	10G	Yes
	3	port16	10G	Yes
	3	port20	10G	Yes
	3	port23	10G	Yes

np6_1	0	port26	10G	Yes
	0	port29	10G	Yes
	0	port33	10G	Yes
	0	port37	10G	Yes
	0	port41	10G	Yes
	0	port45	10G	Yes
	1	port25	10G	Yes
	1	port30	10G	Yes
	1	port34	10G	Yes
	1	port38	10G	Yes
	1	port42	10G	Yes
	1	port46	10G	Yes
	2	port28	10G	Yes
	2	port31	10G	Yes
	2	port35	10G	Yes
	2	port39	10G	Yes
	2	port43	10G	Yes
	2	port47	10G	Yes
	3	port27	10G	Yes
	3	port32	10G	Yes
	3	port36	10G	Yes
	3	port40	10G	Yes
	3	port44	10G	Yes
	3	port48	10G	Yes

FortiGate 3300E and 3301E fast path architecture

The FortiGate 3300E and 3301E models feature the following front panel interfaces:

- Two 10/100/1000BASE-T Copper (MGMT1 and MGMT2).
- Twelve 10/100/1000BASE-T Copper (1 to 12).
- Four 1/10 GigE BASE-T Copper (13 to 16).
- Fourteen 10/25 GigE SFP+/SFP28 (17 to 30), interface groups: 17 - 20, 21 - 24, 25 - 28, 29-HA1, and 30 - HA2.
- Two 10/25 GigE SFP+/SFP28 (HA1 and HA2, not connected to the NP6 processors).
- Four 40 GigE QSFP+ (31 to 34).



The FortiGate 3300E and 3301E each include four NP6 processors. All front panel data interfaces and all of the NP6 processors connect to the integrated switch fabric (ISF). All data traffic passes from the data interfaces through the ISF to the NP6 processors. Because of the ISF, all supported traffic passing between any two data interfaces can be offloaded by the NP6 processors. Data traffic processed by the CPU takes a dedicated data path through the ISF and an NP6 processor to the CPU.

The MGMT interfaces are not connected to the NP6 processors. Management traffic passes to the CPU over a dedicated management path that is separate from the data path. You can also dedicate separate CPU resources for management traffic to further isolate management processing from data processing (see [Dedicated management CPU on page 25](#)).

The HA interfaces are also not connected to the NP6 processors. To help provide better HA stability and resiliency, the HA traffic uses a dedicated physical control path that provides HA control traffic separation from data traffic processing.

The separation of management and HA traffic from data traffic keeps management and HA traffic from affecting the stability and performance of data traffic processing.

You can use the following command to display the FortiGate 3300E or 3301E NP6 configuration. The command output shows four NP6s named NP6_0, NP6_1, NP6_2, and NP6_3 and the interfaces (ports) connected to each NP6. This interface to NP6 mapping is also shown in the diagram above.

The command output also shows the XAUI configuration for each NP6 processor. Each NP6 processor has a 40-Gigabit bandwidth capacity. Traffic passes to each NP6 processor over four 10-Gigabit XAUI links. The XAUI links are numbered 0 to 3.

You can also use the `diagnose npu np6 port-list` command to display this information.

```
get hardware npu np6 port-list
Chip   XAUI Ports           Max   Cross-chip
      Speed offloading
-----
np6_0  0   port1               1G   Yes
```

	0	port14	10G	Yes
	1	port2	1G	Yes
	1	port15	10G	Yes
	2	port3	1G	Yes
	2	port16	10G	Yes
	3	port13	10G	Yes
	0-3	port17	25G	Yes
	0-3	port31	40G	Yes

np6_1	0	port4	1G	Yes
	1	port5	1G	Yes
	2	port6	1G	Yes
	3			
	0-3	port18	25G	Yes
	0-3	port19	25G	Yes
	0-3	port20	25G	Yes
	0-3	port24	25G	Yes
	0-3	port23	25G	Yes
	0-3	port32	40G	Yes

np6_2	0	port7	1G	Yes
	1	port8	1G	Yes
	2	port9	1G	Yes
	3			
	0-3	port22	25G	Yes
	0-3	port21	25G	Yes
	0-3	port26	25G	Yes
	0-3	port25	25G	Yes
	0-3	port28	25G	Yes
	0-3	port33	40G	Yes

np6_3	0	port10	1G	Yes
	1	port11	1G	Yes
	2	port12	1G	Yes
	2	port29	10G	Yes
	3	port30	10G	Yes
	0-3	port27	25G	Yes
	0-3	port34	40G	Yes

Distributing traffic evenly among the NP6 processors can optimize performance. For details, see [Optimizing NP6 performance by distributing traffic to XAUI links on page 38](#).

You can also add LAGs to improve performance. For details, see [Increasing NP6 offloading capacity using link aggregation groups \(LAGs\) on page 42](#).

Interface groups and changing data interface speeds

FortiGate-3300E and 3301E front panel data interfaces 17 to 30, HA1, and HA2 are divided into the following groups:

- port17 - port20
- port21 - port24
- port25 - port28
- port29 - ha1
- port30 - ha2

All of the interfaces in a group operate at the same speed. Changing the speed of an interface changes the speeds of all of the interfaces in the same group. For example, if you change the speed of port17 from 25Gbps to 10Gbps the speeds of port18 to port20 are also changed to 10Gbps.

Another example, port21 to port28 are operating at 25Gbps. If you want to install 10GigE transceivers in port21 to port28 to convert all of these data interfaces to connect to 10Gbps networks, you can enter the following from the CLI:

```
config system interface
  edit port21
    set speed 10000full
  next
  edit port25
    set speed 10000full
  end
```

Every time you change a data interface speed, when you enter the `end` command, the CLI confirms the range of interfaces affected by the change. For example, if you change the speed of port25 the following message appears:

```
config system interface
  edit port25
    set speed 10000full
  end
port25-port28 speed will be changed to 10000full due to hardware limit.
Do you want to continue? (y/n)
```

FortiGate 3400E and 3401E fast path architecture

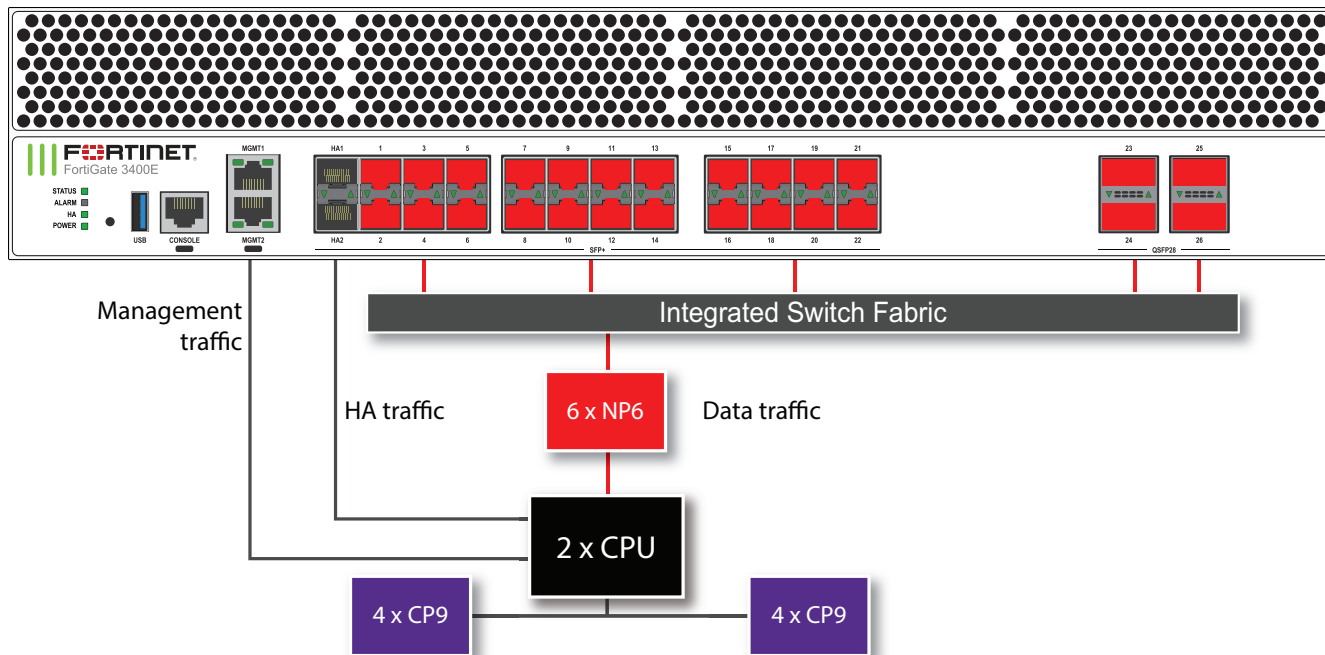
The FortiGate 3400E and 3401E models feature the following front panel interfaces:

- Two 10/100/1000BASE-T Copper (MGMT1 and MGMT2).
- Two 10/25 GigE SFP+/SFP28 (HA1 and HA2, not connected to the NP6 processors).
- Twenty-two 10/25 GigE SFP+/SFP28 (1 to 22), interface groups: HA1 - HA2 - 1 - 2, 3 - 6, 7 - 10, 11 - 14, 15 - 18, and 19 - 22.
- Four 100 GigE QSFP28 (23 to 26).



The FortiGate-3400 and 3401 do not support auto-negotiation when setting interface speeds. Always set a specific interface speed. For example:

```
config system interface
  edit port23
    set speed {40000full | 100Gfull}
  end
```



The FortiGate 3400E and 3401E each include six NP6 processors (NP6_0 to NP6_5). All front panel data interfaces and all of the NP6 processors connect to the integrated switch fabric (ISF). All data traffic passes from the data interfaces through the ISF to the NP6 processors. Because of the ISF, all supported traffic passing between any two data interfaces can be offloaded by the NP6 processors. No special mapping is required for fast path offloading or aggregate interfaces. Data traffic processed by the CPU takes a dedicated data path through the ISF and an NP6 processor to the CPU.

The MGMT interfaces are not connected to the NP6 processors. Management traffic passes to the CPU over a dedicated management path that is separate from the data path. You can also dedicate separate CPU resources for management traffic to further isolate management processing from data processing (see [Dedicated management CPU on page 25](#)).

The HA interfaces are also not connected to the NP6 processors. To help provide better HA stability and resiliency, the HA traffic uses a dedicated physical control path that provides HA control traffic separation from data traffic processing.

The separation of management and HA traffic from data traffic keeps management and HA traffic from affecting the stability and performance of data traffic processing.

You can use the following `get` command to display the FortiGate 3400E or 3401E NP6 configuration. You can also use the `diagnose npu np6 port-list` command to display this information.

```
get hardware npu np6 port-list
Chip                XAUI Ports      Max      Cross-chip
                   port1           Speed    offloading
-----
NP#0-5              0-3             25000M  Yes
NP#0-5              0-3             25000M  Yes
NP#0-5              0-3             25000M  Yes
NP#0-5              0-3             25000M  Yes
NP#0-5              0-3             25000M  Yes
NP#0-5              0-3             25000M  Yes
NP#0-5              0-3             25000M  Yes
NP#0-5              0-3             25000M  Yes
NP#0-5              0-3             25000M  Yes
NP#0-5              0-3             25000M  Yes
```

NP#0-5	0-3	port10	25000M	Yes
NP#0-5	0-3	port11	25000M	Yes
NP#0-5	0-3	port12	25000M	Yes
NP#0-5	0-3	port13	25000M	Yes
NP#0-5	0-3	port14	25000M	Yes
NP#0-5	0-3	port15	25000M	Yes
NP#0-5	0-3	port16	25000M	Yes
NP#0-5	0-3	port17	25000M	Yes
NP#0-5	0-3	port18	25000M	Yes
NP#0-5	0-3	port19	25000M	Yes
NP#0-5	0-3	port20	25000M	Yes
NP#0-5	0-3	port21	25000M	Yes
NP#0-5	0-3	port22	25000M	Yes
NP#0-5	0-3	port23	100000M	Yes
NP#0-5	0-3	port24	100000M	Yes
NP#0-5	0-3	port25	100000M	Yes
NP#0-5	0-3	port26	100000M	Yes

Interface groups and changing data interface speeds

FortiGate-3400E and 3401E front panel interfaces HA1, HA2, and 1 to 22 are divided into the following groups:

- ha1 - ha2 - port1 - port2
- port3 - port6
- port7 - port10
- port11 - port14
- port15 - port18
- port19 - port22

All of the interfaces in a group operate at the same speed. Changing the speed of an interface changes the speeds of all of the interfaces in the same group. For example, if you change the speed of port12 from 25Gbps to 10Gbps the speeds of port11 to port14 are also changed to 10Gbps.

Another example, port15 to port22 are operating at 25Gbps. If you want to install 10GigE transceivers in port15 to port22 to convert all of these data interfaces to connect to 10Gbps networks, you can enter the following from the CLI:

```
config system interface
  edit port15
    set speed 10000full
  next
  edit port19
    set speed 10000full
  end
```

Every time you change a data interface speed, when you enter the `end` command, the CLI confirms the range of interfaces affected by the change. For example, if you change the speed of port19 the following message appears:

```
config system interface
  edit port19
    set speed 10000full
  end
port19-port22 speed will be changed to 10000full due to hardware limit.
Do you want to continue? (y/n)
```


FortiGate 3600E and 3601E fast path architecture

The FortiGate 3600E and 3601E models feature the following front panel interfaces:

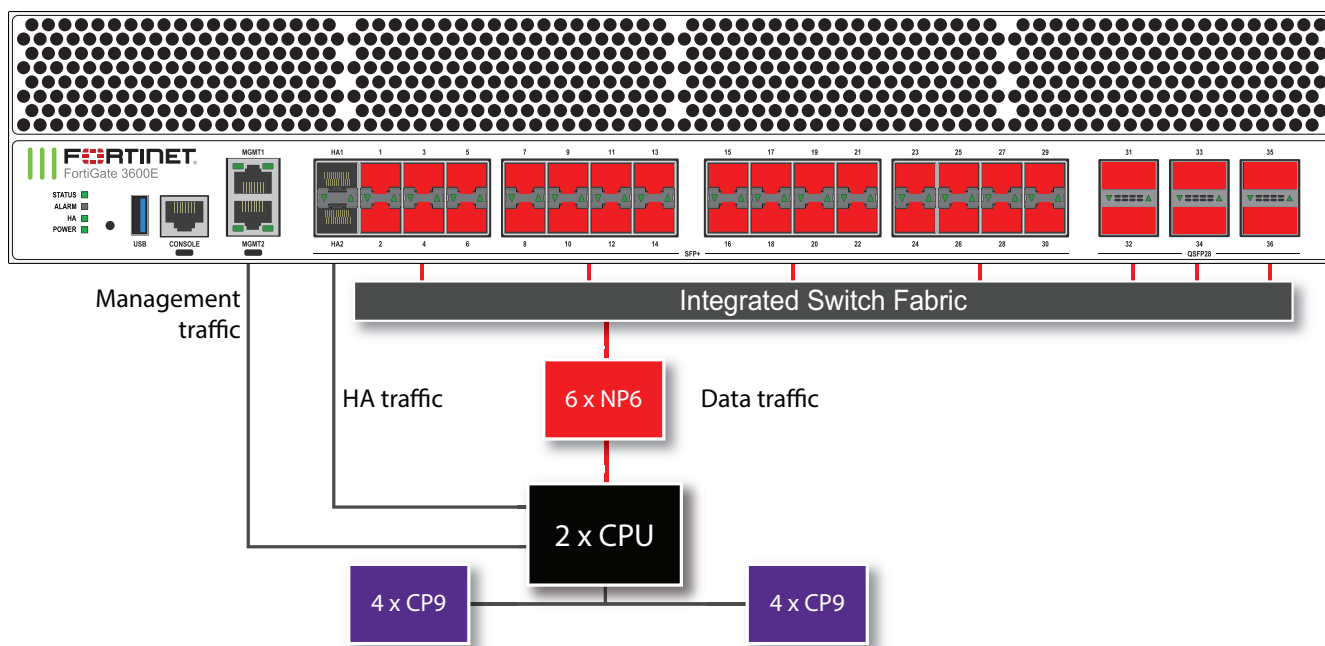
- Two 10/100/1000BASE-T Copper (MGMT1 and MGMT2)
- Two 10/25 GigE SFP+/SFP28 (HA1 and HA2, not connected to the NP6 processors)
- Thirty 10/25 GigE SFP+/SFP28 (1 to 30) interface groups: HA1 - HA2 - 1 - 2, 3 - 6, 7 - 10, 11 - 14, 15 - 18, 19 - 22, 23 - 26, and 27 - 30
- Six 100 GigE QSFP28 (31 to 36)



The FortiGate-3600 and 3601 do not support auto-negotiation when setting interface speeds.

Always set a specific interface speed. For example:

```
config system interface
  edit port31
    set speed {40000full | 100Gfull}
  end
```



The FortiGate 3600E and 3601E each include six NP6 processors (NP6_0 to NP6_5). All front panel data interfaces and all of the NP6 processors connect to the integrated switch fabric (ISF). All data traffic passes from the data interfaces through the ISF to the NP6 processors. Because of the ISF, all supported traffic passing between any two data interfaces can be offloaded by the NP6 processors. No special mapping is required for fast path offloading or aggregate interfaces. Data traffic processed by the CPU takes a dedicated data path through the ISF and an NP6 processor to the CPU.

The MGMT interfaces are not connected to the NP6 processors. Management traffic passes to the CPU over a dedicated management path that is separate from the data path. You can also dedicate separate CPU resources for management traffic to further isolate management processing from data processing (see [Dedicated management CPU on page 25](#)).

The HA interfaces are also not connected to the NP6 processors. To help provide better HA stability and resiliency, the HA traffic uses a dedicated physical control path that provides HA control traffic separation from data traffic processing.

The separation of management and HA traffic from data traffic keeps management and HA traffic from affecting the stability and performance of data traffic processing.

You can use the following command to display the FortiGate 3600E or 3601E NP6 configuration. You can also use the `diagnose npu np6 port-list` command to display this information.

```
get hardware npu np6 port-list
Chip                XAUI Ports      Max      Cross-chip
                   0-3            Speed    offloading
-----
NP#0-5              0-3 port1        25000M   Yes
NP#0-5              0-3 port2        25000M   Yes
NP#0-5              0-3 port3        25000M   Yes
NP#0-5              0-3 port4        25000M   Yes
NP#0-5              0-3 port5        25000M   Yes
NP#0-5              0-3 port6        25000M   Yes
NP#0-5              0-3 port7        25000M   Yes
NP#0-5              0-3 port8        25000M   Yes
NP#0-5              0-3 port9        25000M   Yes
NP#0-5              0-3 port10       25000M   Yes
NP#0-5              0-3 port11       25000M   Yes
NP#0-5              0-3 port12       25000M   Yes
NP#0-5              0-3 port13       25000M   Yes
NP#0-5              0-3 port14       25000M   Yes
NP#0-5              0-3 port15       25000M   Yes
NP#0-5              0-3 port16       25000M   Yes
NP#0-5              0-3 port17       25000M   Yes
NP#0-5              0-3 port18       25000M   Yes
NP#0-5              0-3 port19       25000M   Yes
NP#0-5              0-3 port20       25000M   Yes
NP#0-5              0-3 port21       25000M   Yes
NP#0-5              0-3 port22       25000M   Yes
NP#0-5              0-3 port23       25000M   Yes
NP#0-5              0-3 port24       25000M   Yes
NP#0-5              0-3 port25       25000M   Yes
NP#0-5              0-3 port26       25000M   Yes
NP#0-5              0-3 port27       25000M   Yes
NP#0-5              0-3 port28       25000M   Yes
NP#0-5              0-3 port29       25000M   Yes
NP#0-5              0-3 port30       25000M   Yes
NP#0-5              0-3 port31       100000M  Yes
NP#0-5              0-3 port32       100000M  Yes
NP#0-5              0-3 port33       100000M  Yes
NP#0-5              0-3 port34       100000M  Yes
NP#0-5              0-3 port35       100000M  Yes
NP#0-5              0-3 port36       100000M  Yes
-----
```

Interface groups and changing data interface speeds

FortiGate-3600E and 3601E front panel interfaces HA1, HA2, and 1 to 30 are divided into the following groups:

- ha1 - ha2 - port1 - port2
- port3 - port6
- port7 - port10
- port11 - port14
- port15 - port18
- port19 - port22
- port23 - port26
- port27 - port30

All of the interfaces in a group operate at the same speed. Changing the speed of an interface changes the speeds of all of the interfaces in the same group. For example, if you change the speed of port12 from 25Gbps to 10Gbps the speeds of port11 to port14 are also changed to 10Gbps.

Another example, port15 to port22 are operating at 25Gbps. If you want to install 10GigE transceivers in port15 to port22 to convert all of these data interfaces to connect to 10Gbps networks, you can enter the following from the CLI:

```
config system interface
  edit port15
    set speed 10000full
  next
  edit port19
    set speed 10000full
  end
```

Every time you change a data interface speed, when you enter the `end` command, the CLI confirms the range of interfaces affected by the change. For example, if you change the speed of port7 the following message appears:

```
config system interface
  edit port7
    set speed 10000full
  end
port7-port10 speed will be changed to 10000full due to hardware limit.
Do you want to continue? (y/n)
```

FortiGate 3700D fast path architecture

The FortiGate 3700D features four NP6 processors. The first two NP6 processors (np6_0 and np6_1) can be configured for low latency operation. The low latency configuration changes the FortiGate 3700D fast path architecture.

FortiGate 3700D low latency fast path architecture

Ports 25 to 32 can be used for low latency offloading. As long as traffic enters and exits the FortiGate 3700D through ports connected to the same NP6 processor and using these low latency ports the traffic will be offloaded and have lower latency than other NP6 offloaded traffic. Latency is reduced by bypassing the integrated switch fabric (ISF).

You can use the following command to turn on low latency mode for np6_0 and np6_1:

```
config system np6
  edit np6_0
    set low-latency-mode enable
  next
  edit np6_1
```

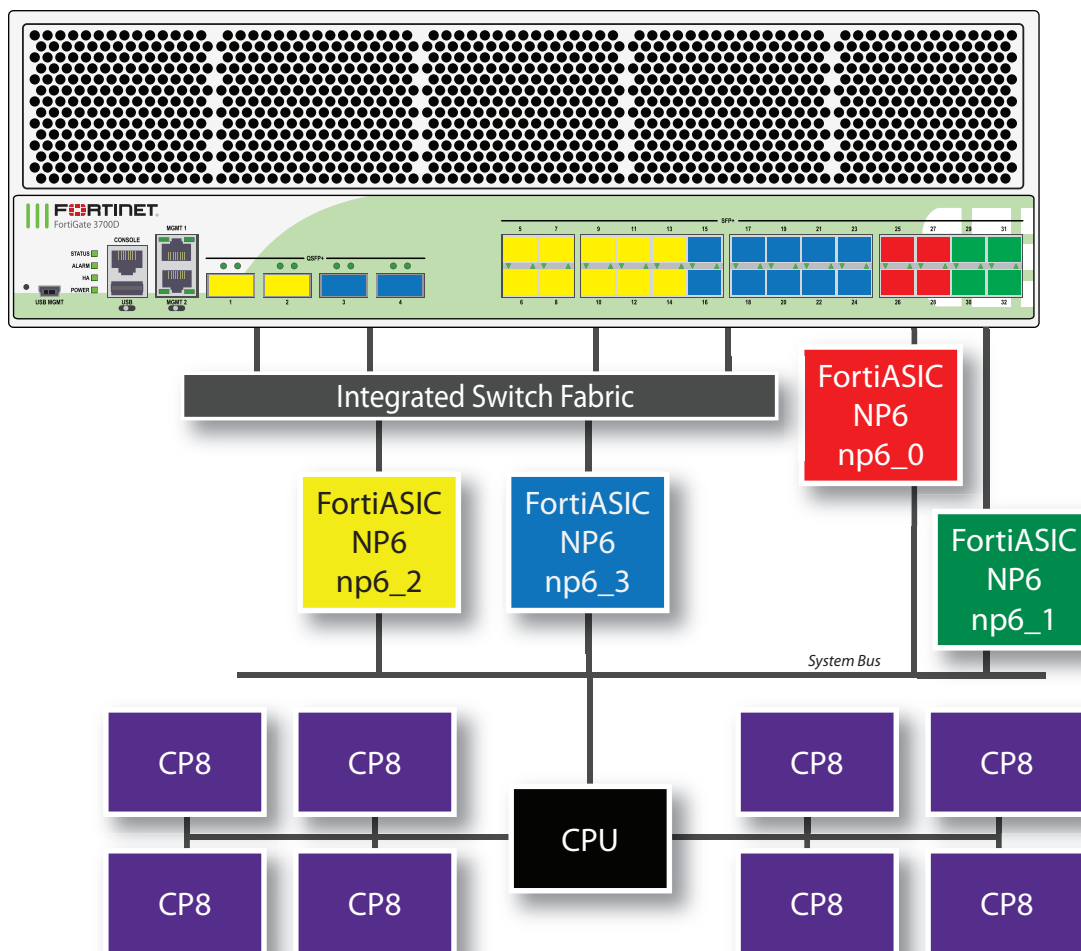
```
set low-latency-mode enable
end
```



You do not have to turn on low latency to both np6_0 and np6_1. If you turn on low latency for just one NP6, the other NP6 will still be mapped according to the normal latency configuration.

With low latency enabled for both np6_0 and np6_1 the FortiGate 3700D has the following fastpath architecture:

- Four SFP+ 10Gb interfaces, port25 to port28, share connections to the first NP6 processor (np6_0) so sessions entering one of these ports and exiting through another will experience low latency
- Four SFP+ 10Gb interfaces, port29 to port32, share connections to the second NP6 processor (np6_1) so sessions entering one of these ports and exiting through another will experience low latency
- Ten SFP+ 10Gb interfaces, port5 to port14, and two 40Gb QSFP interfaces, port1 and port2, share connections to the third NP6 processor (np6_2).
- Ten SFP+ 10Gb interfaces, port15 to port24, and two 40Gb QSFP interfaces, port3 and port4, share connections to the fourth NP6 processor (np6_3).



You can use the following get command to display the FortiGate 3700D NP6 configuration. In this output example, the first two NP6s (np6_0 and np6_1) are configured for low latency. The command output shows four NP6s named NP6_0,

NP6_1, NP6_2, and NP6_3 and the interfaces (ports) connected to each NP6. You can also use the `diagnose npu np6 port-list` command to display this information.

```
get hardware npu np6 port-list
Chip  XAUI Ports  Max  Cross-chip
      XAUI Ports  Speed offloading
-----
np6_2  0   port5  10G  Yes
      0   port9  10G  Yes
      0   port13 10G  Yes
      1   port6  10G  Yes
      1   port10 10G  Yes
      1   port14 10G  Yes
      2   port7  10G  Yes
      2   port11 10G  Yes
      3   port8  10G  Yes
      3   port12 10G  Yes
      0-3 port1  40G  Yes
      0-3 port2  40G  Yes
-----
np6_3  0   port15 10G  Yes
      0   port19 10G  Yes
      0   port23 10G  Yes
      1   port16 10G  Yes
      1   port20 10G  Yes
      1   port24 10G  Yes
      2   port17 10G  Yes
      2   port21 10G  Yes
      3   port18 10G  Yes
      3   port22 10G  Yes
      0-3 port3  40G  Yes
      0-3 port4  40G  Yes
-----
np6_0  0   port26 10G  No
      1   port25 10G  No
      2   port28 10G  No
      3   port27 10G  No
-----
np6_1  0   port30 10G  No
      1   port29 10G  No
      2   port32 10G  No
      3   port31 10G  No
-----
```

FortiGate 3700D normal latency fast path architecture

You can use the following command to turn off low latency mode for np6_0 and np6_1:

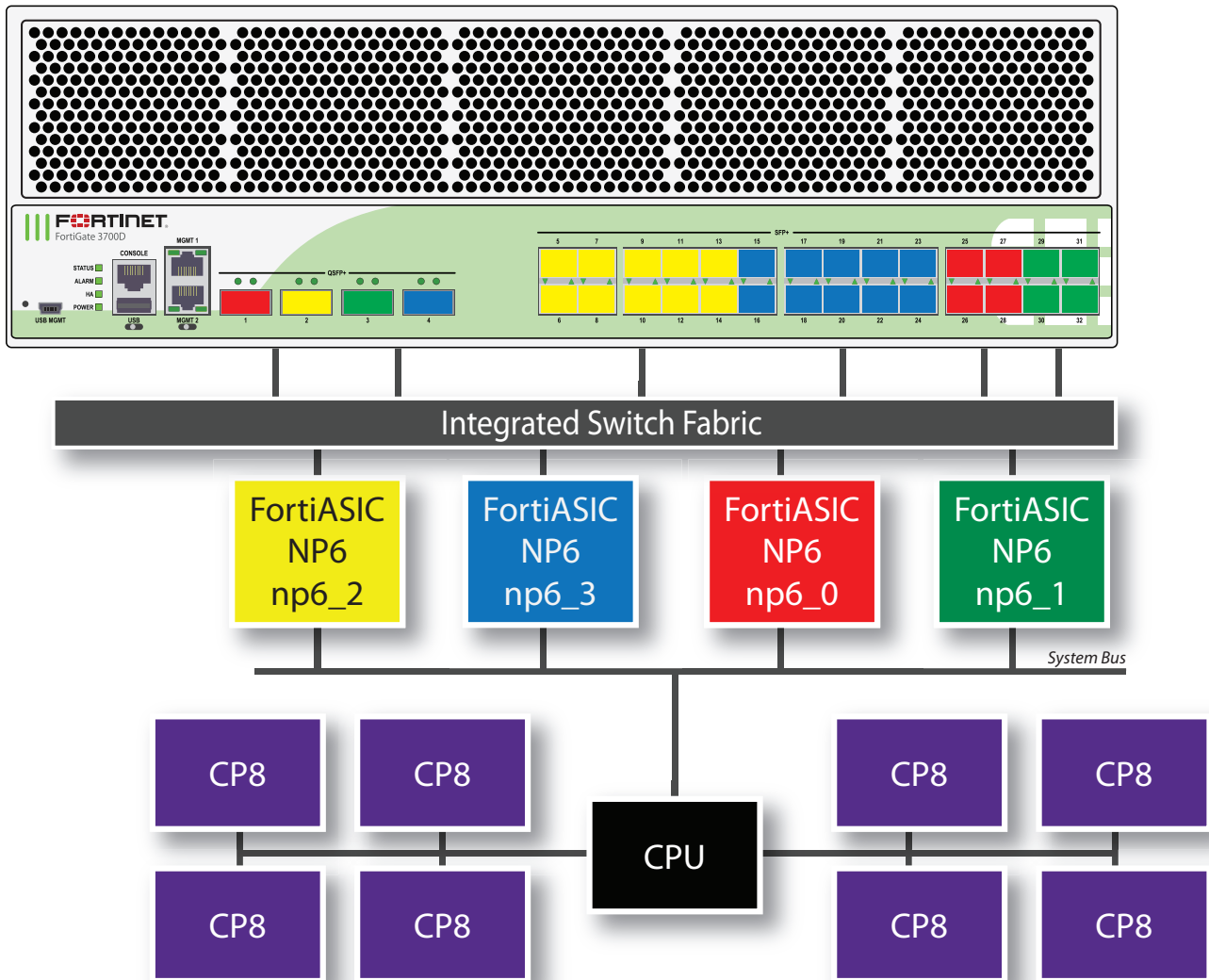
```
config system np6
  edit np6_0
    set low-latency-mode disable
  next
  edit np6_1
    set low-latency-mode disable
end
```



You do not have to turn off low latency to both np6_0 and np6_1. If you turn off low latency to just one NP6, the other NP6 will still be mapped according to the normal configuration.

In addition to turning off low latency, entering these commands also changes how ports are mapped to NP6s. Port1 is now mapped to np6_0 and port 3 is not mapped to np6_1. The FortiGate 3700D has the following fastpath architecture:

- One 40Gb QSFP interface, port1, and four SFP+ 10Gb interfaces, port25 to port28 share connections to the first NP6 processor (np6_0).
- One 40Gb QSFP interface, port3, and four SFP+ 10Gb interfaces, port29 to port32 share connections to the second NP6 processor (np6_1).
- One 40Gb QSFP interface, port2 and ten SFP+ 10Gb interfaces, port5 to port14 share connections to the third NP6 processor (np6_2).
- One 40Gb QSFP interface, port4, and ten SFP+ 10Gb interfaces, port15 to port24 share connections to the fourth NP6 processor (np6_3).

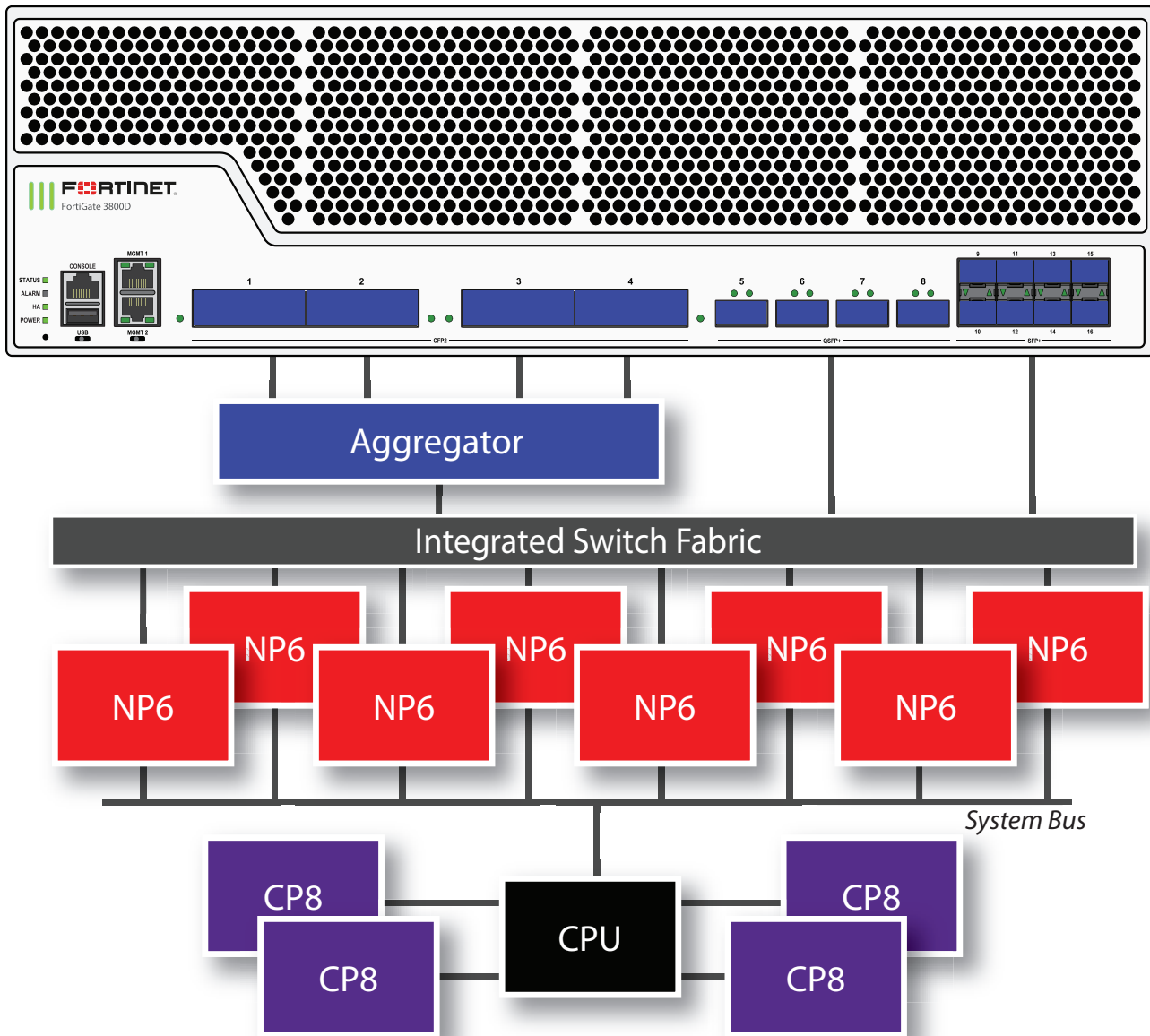


You can use the following `get` command to display the FortiGate 3700D NP6 configuration with low latency turned off for `np6_0` and `np6_1`. The command output shows four NP6s named `NP6_0`, `NP6_1`, `NP6_2`, and `NP6_3` and the interfaces (ports) connected to each NP6. You can also use the `diagnose npu np6 port-list` command to display this information.

```
get hardware npu np6 port-list
Chip  XAUI Ports          Max   Cross-chip
      XAUI Ports          Speed offloading
-----
np6_0  0   port26             10G   Yes
      1   port25             10G   Yes
      2   port28             10G   Yes
      3   port27             10G   Yes
      0-3 port1              40G   Yes
-----
np6_1  0   port30             10G   Yes
      1   port29             10G   Yes
      2   port32             10G   Yes
      3   port31             10G   Yes
      0-3 port3              40G   Yes
-----
np6_2  0   port5              10G   Yes
      0   port9              10G   Yes
      0   port13             10G   Yes
      1   port6              10G   Yes
      1   port10             10G   Yes
      1   port14             10G   Yes
      2   port7              10G   Yes
      2   port11             10G   Yes
      3   port8              10G   Yes
      3   port12             10G   Yes
      0-3 port2              40G   Yes
-----
np6_3  0   port15             10G   Yes
      0   port19             10G   Yes
      0   port23             10G   Yes
      1   port16             10G   Yes
      1   port20             10G   Yes
      1   port24             10G   Yes
      2   port17             10G   Yes
      2   port21             10G   Yes
      3   port18             10G   Yes
      3   port22             10G   Yes
      0-3 port4              40G   Yes
-----
```

FortiGate 3800D fast path architecture

The FortiGate 3800D features four front panel 100GigE CFP2 interfaces, four 40GigE QSFP+ interfaces, and eight 10GigE SFP+ interfaces connected to eight NP6 processors through an Integrated Switch Fabric (ISF). Individual interfaces are not mapped to NP6 processors because of the integrated switch fabric. No special mapping is required for fastpath offloading or aggregate interfaces.



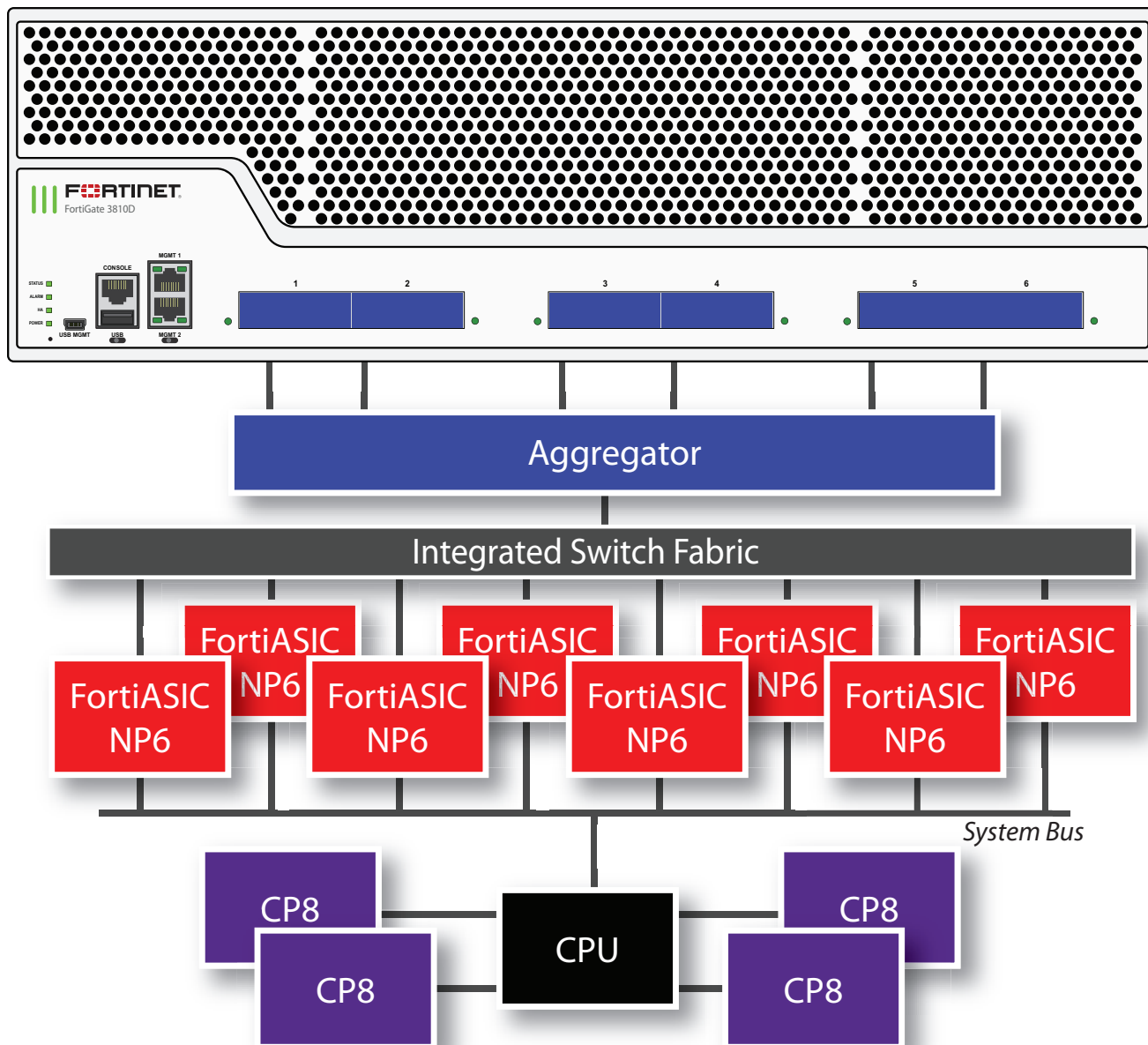
You can use the following get command to display the FortiGate 3800D NP6 configuration. The command output shows all NP6s connected to each interface (port) with cross-chip offloading supported for each port. You can also use the diagnose npu np6 port-list command to display this information.

Chip	XAUI	Ports	Max Speed	Cross-chip offloading
NP#0-7	0-3	port1	100000M	Yes
NP#0-7	0-3	port2	100000M	Yes
NP#0-7	0-3	port3	100000M	Yes
NP#0-7	0-3	port4	100000M	Yes
NP#0-7	0-3	port5	40000M	Yes
NP#0-7	0-3	port6	40000M	Yes
NP#0-7	0-3	port7	40000M	Yes
NP#0-7	0-3	port8	40000M	Yes
NP#0-7	0-3	port9	10000M	Yes

NP#0-7	0-3	port10	10000M	Yes
NP#0-7	0-3	port11	10000M	Yes
NP#0-7	0-3	port12	10000M	Yes
NP#0-7	0-3	port13	10000M	Yes
NP#0-7	0-3	port14	10000M	Yes
NP#0-7	0-3	port15	10000M	Yes
NP#0-7	0-3	port16	10000M	Yes
-----	----	-----	-----	-----

FortiGate 3810D fast path architecture

The FortiGate 3810D features six front panel 100GigE CFP2 interfaces connected to eight NP6 processors through an Integrated Switch Fabric (ISF). Individual interfaces are not mapped to NP6 processors because of the integrated switch fabric. No special mapping is required for fastpath offloading or aggregate interfaces.

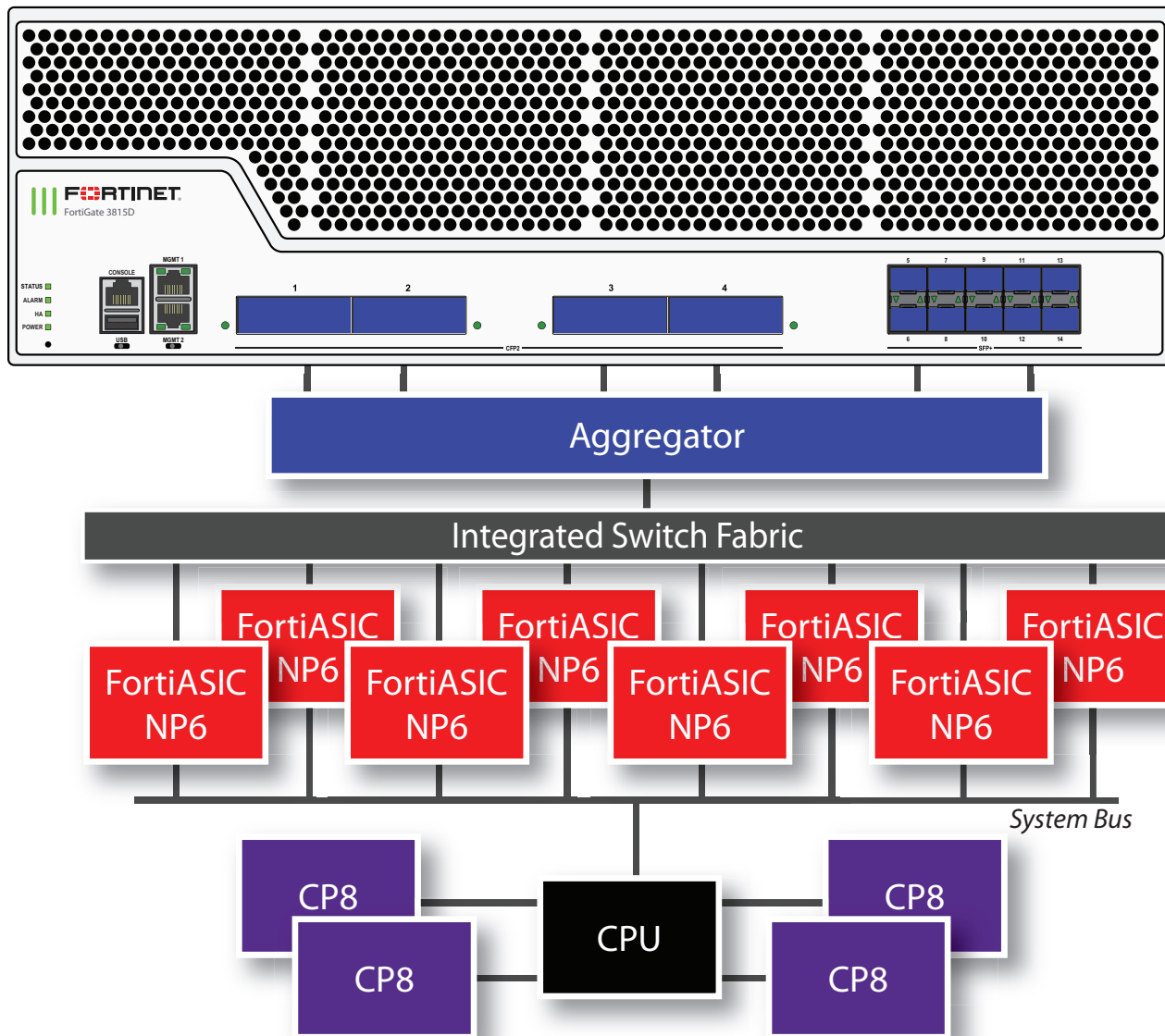


You can use the following get command to display the FortiGate 3810D NP6 configuration. The command output shows all NP6s connected to each interface (port) with cross-chip offloading supported for each port. You can also use the diagnose npu np6 port-list command to display this information.

```
get hardware npu np6 port-list
Chip  XAUI Ports  Max      Cross-chip
      XAUI Ports  Speed    offloading
-----
all   0-3  port1    100000M Yes
all   0-3  port2    100000M Yes
all   0-3  port3    100000M Yes
all   0-3  port4    100000M Yes
all   0-3  port5    100000M Yes
all   0-3  port6    100000M Yes
-----
```

FortiGate 3815D fast path architecture

The FortiGate 3815D features four front panel 100GigE CFP2 interfaces and eight 10GigE SFP+ interfaces connected to eight NP6 processors through an Integrated Switch Fabric (ISF). Individual interfaces are not mapped to NP6 processors because of the integrated switch fabric. No special mapping is required for fastpath offloading or aggregate interfaces.



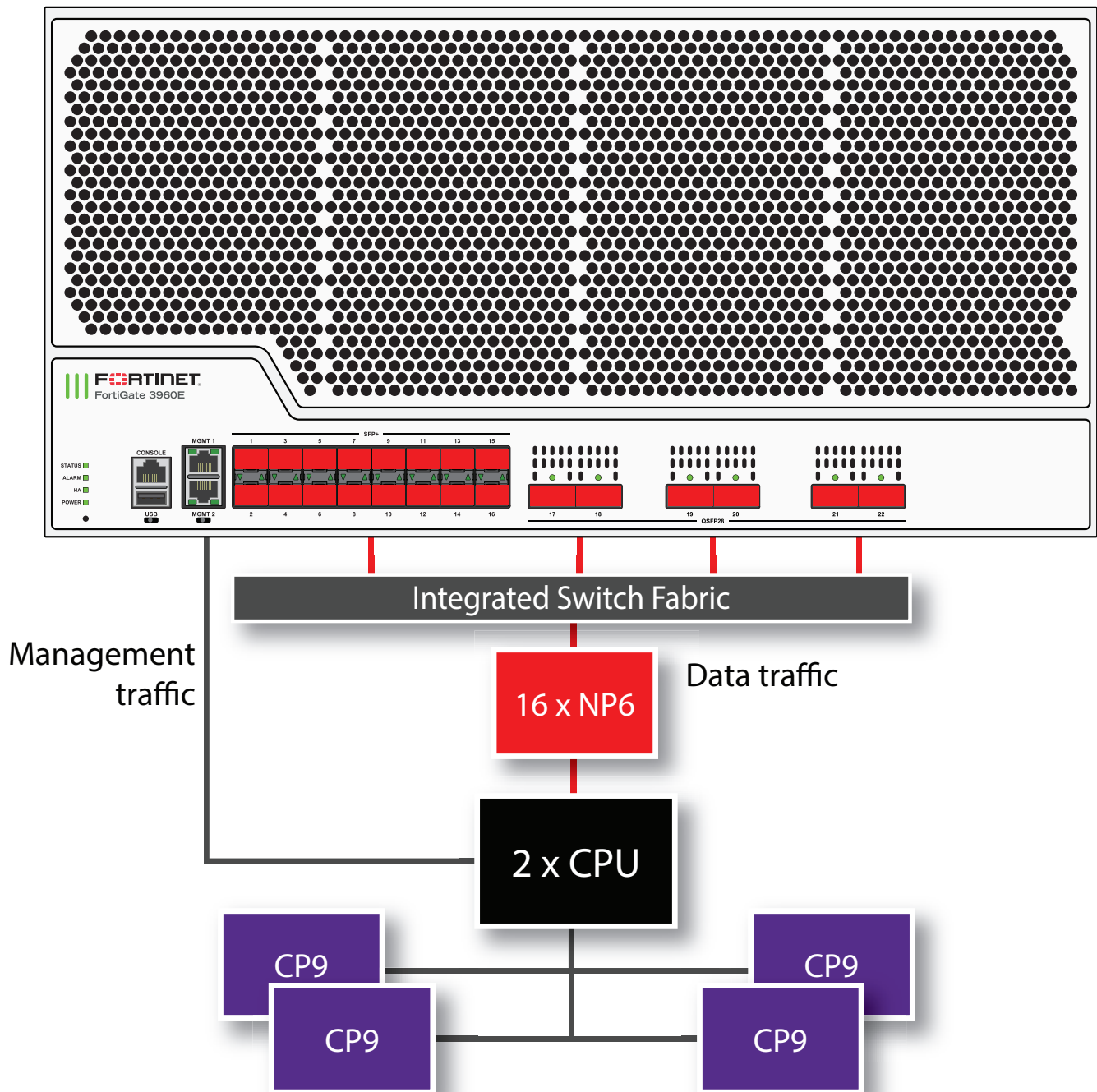
You can use the following get command to display the FortiGate 3815D NP6 configuration. The command output shows all NP6s connected to each interface (port) with cross-chip offloading supported for each port. You can also use the diagnose npu np6 port-list command to display this information.

```
get hardware npu np6 port-list
Chip  XAUI Ports  Max  Cross-chip
```

			Speed	offloading
all	0-3	port1	100000M	Yes
all	0-3	port2	100000M	Yes
all	0-3	port3	100000M	Yes
all	0-3	port4	100000M	Yes
all	0-3	port11	10000M	Yes
all	0-3	port12	10000M	Yes
all	0-3	port13	10000M	Yes
all	0-3	port14	10000M	Yes
all	0-3	port10	10000M	Yes
all	0-3	port9	10000M	Yes
all	0-3	port8	10000M	Yes
all	0-3	port7	10000M	Yes
all	0-3	port5	10000M	Yes
all	0-3	port6	10000M	Yes

FortiGate 3960E fast path architecture

The FortiGate 3960E features sixteen front panel 10GigE SFP+ interfaces (1 to 16) and six 100GigE QSFP+ interfaces (17 to 22) connected to sixteen NP6 processors through an Integrated Switch Fabric (ISF).



The FortiGate 3960E includes sixteen NP6 processors (NP6_0 to NP6_15). All front panel data interfaces and all of the NP6 processors connect to the integrated switch fabric (ISF). All data traffic passes from the data interfaces through the ISF to the NP6 processors. Because of the ISF, all supported traffic passing between any two data interfaces can be offloaded by the NP6 processors. No special mapping is required for fast path offloading or aggregate interfaces. Data traffic processed by the CPU takes a dedicated data path through the ISF and an NP6 processor to the CPU.

The MGMT interfaces are not connected to the NP6 processors. Management traffic passes to the CPU over a dedicated management path that is separate from the data path. You can also dedicate separate CPU resources for management traffic to further isolate management processing from data processing (see [Dedicated management CPU](#))

on page 25). The separation of management traffic from data traffic keeps management traffic from affecting the stability and performance of data traffic processing.

You can use the following `get` command to display the FortiGate 3960E NP6 configuration. The command output shows all NP6s connected to each interface (port) with cross-chip offloading supported for each port. You can also use the `diagnose npu np6 port-list` command to display this information.

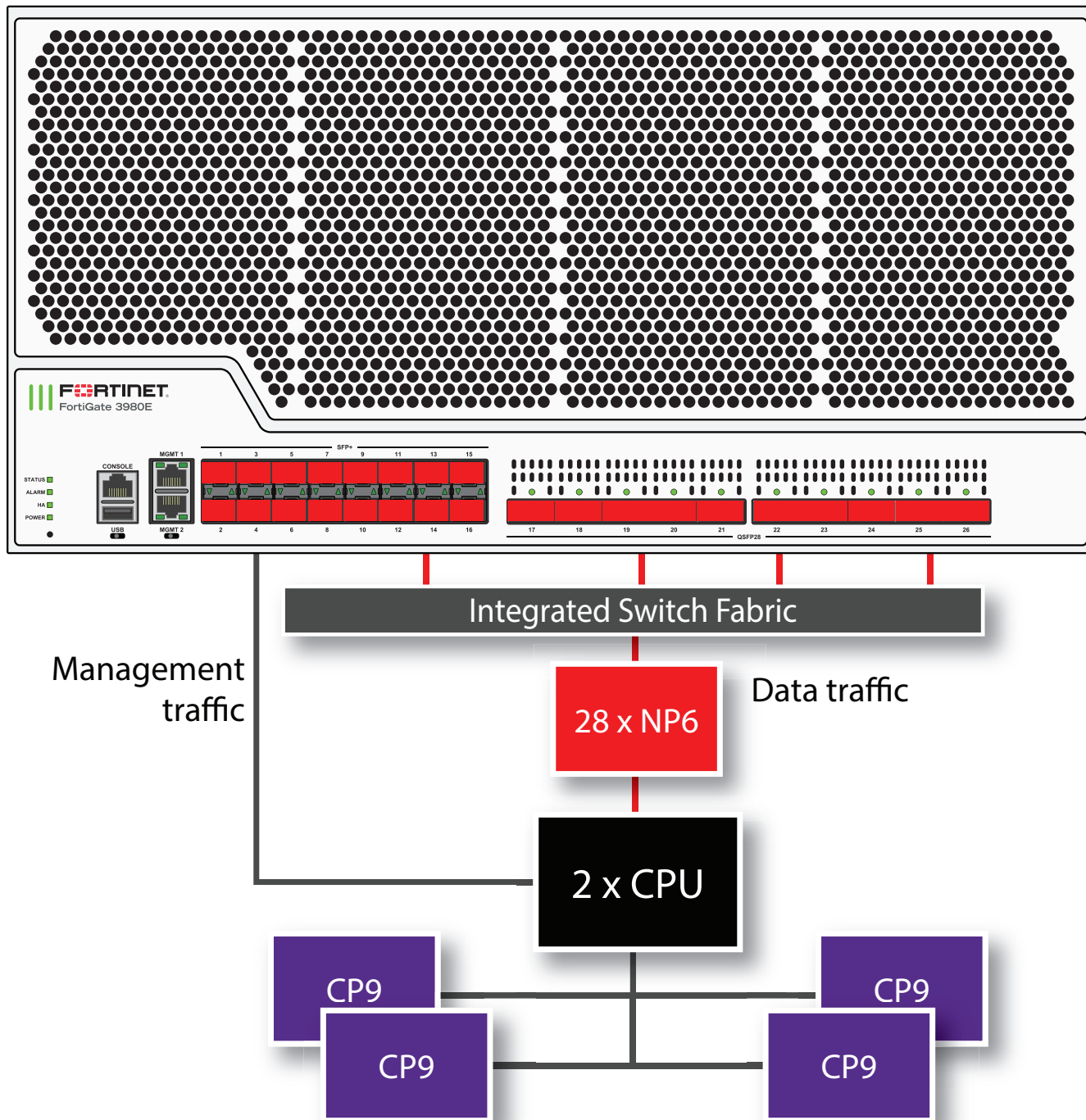
```
diagnose npu np6 port-list
Chip   XAUI Ports      Max      Cross-chip
      Speed      offloading
-----
NP#0-7 0-3  port1    10000M  Yes
NP#0-7 0-3  port2    10000M  Yes
NP#0-7 0-3  port3    10000M  Yes
NP#0-7 0-3  port4    10000M  Yes
NP#0-7 0-3  port5    10000M  Yes
NP#0-7 0-3  port6    10000M  Yes
NP#0-7 0-3  port7    10000M  Yes
NP#0-7 0-3  port8    10000M  Yes
NP#0-7 0-3  port9    10000M  Yes
NP#0-7 0-3  port10   10000M  Yes
NP#0-7 0-3  port11   10000M  Yes
NP#0-7 0-3  port12   10000M  Yes
NP#0-7 0-3  port13   10000M  Yes
NP#0-7 0-3  port14   10000M  Yes
NP#0-7 0-3  port15   10000M  Yes
NP#0-7 0-3  port16   10000M  Yes
NP#0-7 0-3  port17   100000M Yes
NP#0-7 0-3  port18   100000M Yes
NP#8-15 0-3  port19   100000M Yes
NP#8-15 0-3  port20   100000M Yes
NP#8-15 0-3  port21   100000M Yes
NP#8-15 0-3  port22   100000M Yes
-----
```

For information about optimizing FortiGate 3960E IPsec VPN performance, see [Optimizing FortiGate 3960E and 3980E IPsec VPN performance on page 67](#).

For information about supporting large traffic streams, see [FortiGate 3960E and 3980E support for high throughput traffic streams on page 67](#)

FortiGate 3980E fast path architecture

The FortiGate 3980E features sixteen front panel 10GigE SFP+ interfaces (1 to 16) and ten 100GigE QSFP28 interfaces (17 to 26) connected to twenty-eight NP6 processors through an Integrated Switch Fabric (ISF).



The FortiGate 3980E includes twenty-eight NP6 processors (NP6_0 to NP6_27). All front panel data interfaces and all of the NP6 processors connect to the integrated switch fabric (ISF). All data traffic passes from the data interfaces through the ISF to the NP6 processors. Because of the ISF, all supported traffic passing between any two data interfaces can be offloaded by the NP6 processors. No special mapping is required for fast path offloading or aggregate interfaces. Data traffic processed by the CPU takes a dedicated data path through the ISF and an NP6 processor to the CPU.

The MGMT interfaces are not connected to the NP6 processors. Management traffic passes to the CPU over a dedicated management path that is separate from the data path. You can also dedicate separate CPU resources for

management traffic to further isolate management processing from data processing (see [Dedicated management CPU on page 25](#)). The separation of management traffic from data traffic keeps management traffic from affecting the stability and performance of data traffic processing.

You can use the following get command to display the FortiGate 3980E NP6 configuration. The command output shows all NP6s connected to each interface (port) with cross-chip offloading supported for each port. You can also use the `diagnose npu np6 port-list` command to display this information.

```
diagnose npu np6 port-list
Chip  XAUI Ports  Max      Cross-chip
      XAUI Ports  Speed    offloading
-----
NP#0-7      0-3  port1  10000M  Yes
NP#0-7      0-3  port2  10000M  Yes
NP#0-7      0-3  port3  10000M  Yes
NP#0-7      0-3  port4  10000M  Yes
NP#0-7      0-3  port5  10000M  Yes
NP#0-7      0-3  port6  10000M  Yes
NP#0-7      0-3  port7  10000M  Yes
NP#0-7      0-3  port8  10000M  Yes
NP#0-7      0-3  port9  10000M  Yes
NP#0-7      0-3  port10 10000M  Yes
NP#0-7      0-3  port11 10000M  Yes
NP#0-7      0-3  port12 10000M  Yes
NP#0-7      0-3  port13 10000M  Yes
NP#0-7      0-3  port14 10000M  Yes
NP#0-7      0-3  port15 10000M  Yes
NP#0-7      0-3  port16 10000M  Yes
NP#0-7      0-3  port17 100000M  Yes
NP#0-7      0-3  port18 100000M  Yes
NP#8-27     0-3  port19 100000M  Yes
NP#8-27     0-3  port20 100000M  Yes
NP#8-27     0-3  port21 100000M  Yes
NP#8-27     0-3  port22 100000M  Yes
NP#8-27     0-3  port23 100000M  Yes
NP#8-27     0-3  port24 100000M  Yes
NP#8-27     0-3  port25 100000M  Yes
NP#8-27     0-3  port26 100000M  Yes
```

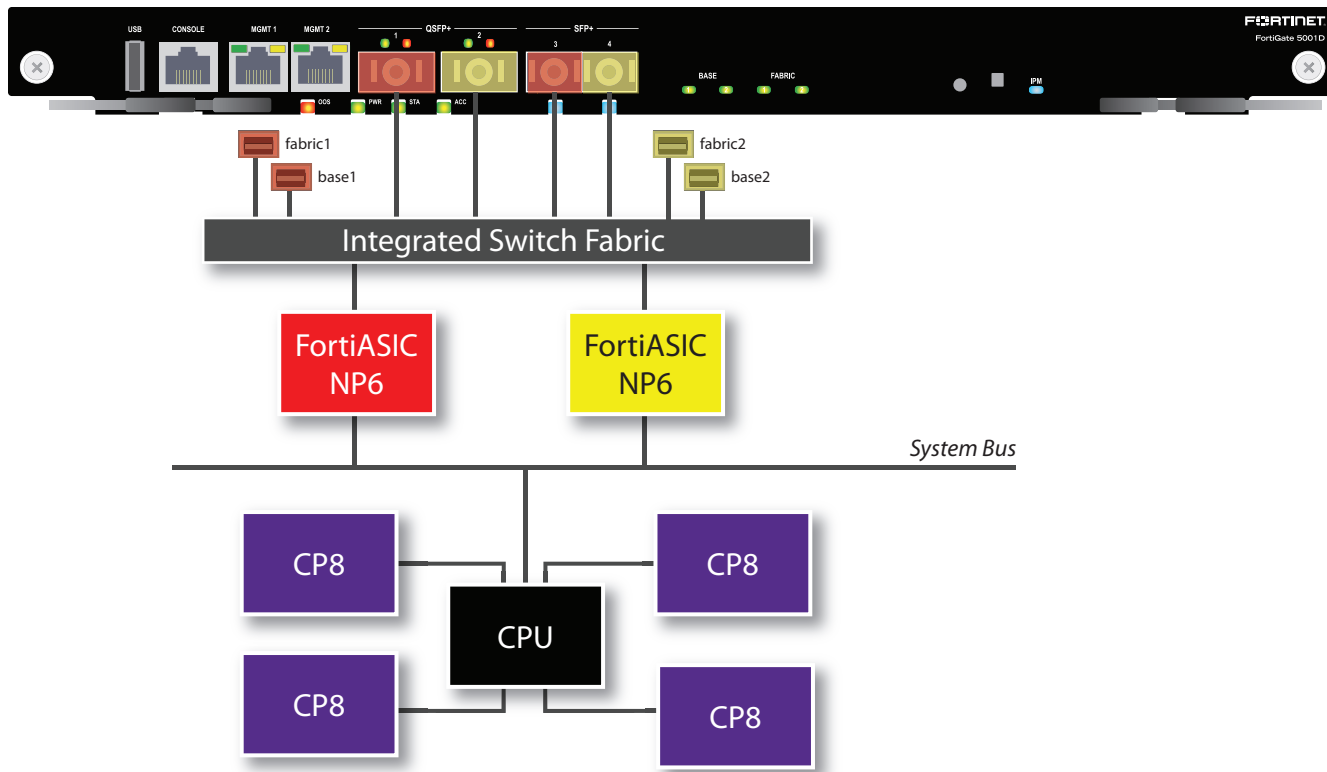
For information about optimizing FortiGate 3980E IPsec VPN performance, see [Optimizing FortiGate 3960E and 3980E IPsec VPN performance on page 67](#).

For information about supporting large traffic streams, see [FortiGate 3960E and 3980E support for high throughput traffic streams on page 67](#)

FortiGate-5001D fast path architecture

The FortiGate5001D features two NP6 processors.

- port1, port3, fabric1 and base1 share connections to the first NP6 processor.
- port2, port4, fabric2 and base2 share connections to the second NP6 processor.



NP6 default interface mapping

You can use the following get command to display the FortiGate-5001D NP6 configuration. The command output shows two NP6s named NP6_0 and NP6_1. The output also shows the interfaces (ports) connected to each NP6. You can also use the diagnose npu np6 port-list command to display this information.

```
get hardware npu np6 port-list
Chip  XAUI Ports          Max  Cross-chip
-----  -----  Speed offloading
-----  -----  -----
np6_0  0    port3                10G  Yes
      1
      2    base1                1G   Yes
      3
      0-3  port1                40G  Yes
      0-3  fabric1              40G  Yes
      0-3  fabric3              40G  Yes
      0-3  fabric5              40G  Yes
-----  -----  -----
np6_1  0
      1    port4                10G  Yes
      2
      3    base2                1G   Yes
      0-3  port2                40G  Yes
      0-3  fabric2              40G  Yes
```

```

0-3 fabric4          40G  Yes
-----

```

NP6 interface mapping with split ports

If you use the following CLI command to split port1:

```

config system global
  set split-port port1
end

```

The new split ports (port1/1 to port 1/4) are mapped to the same NP6 as the port1 interface:

```

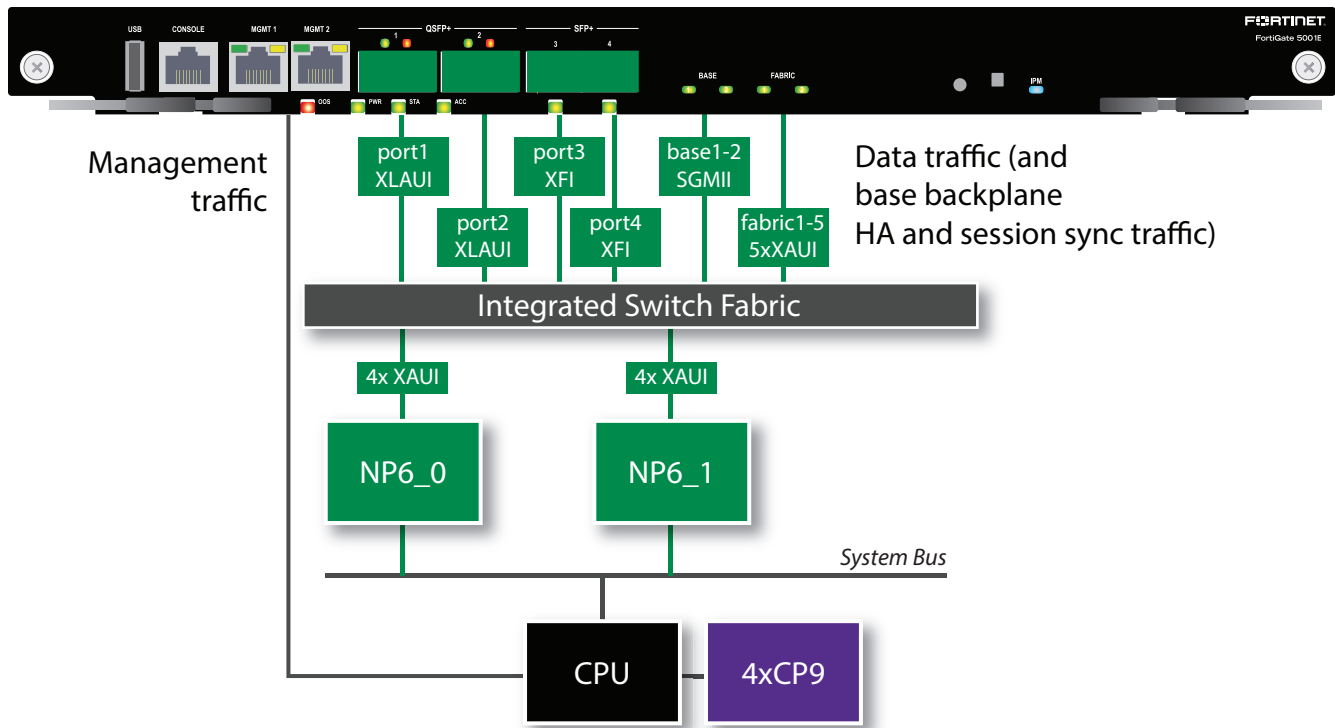
diagnose npu np6 port-list
Chip  XAUI Ports          Max  Cross-chip
      XAUI Ports          Speed offloading
-----
np6_0  0   port3           10G  Yes
      0   port1/1         10G  Yes
      1   port1/2         10G  Yes
      2   base1           1G   Yes
      2   port1/3         10G  Yes
      3   port1/4         10G  Yes
      0-3 fabric1         40G  Yes
      0-3 fabric3         40G  Yes
      0-3 fabric5         40G  Yes
-----
np6_1  0
      1   port4           10G  Yes
      2
      3   base2           1G   Yes
      0-3 port2           40G  Yes
      0-3 fabric2         40G  Yes
      0-3 fabric4         40G  Yes
-----

```

FortiGate-5001E and 5001E1 fast path architecture

The FortiGate 5001E and 5001E1 models feature the following interfaces:

- Two 10/100/1000BASE-T Copper (MGMT1 and MGMT2) (not connected to the NP6 processors)
- Two 40 GigE QSFP+ Fabric Channel (1 and 2)
- Two 10 GigE SFP+ Fabric Channel (3 and 4)
- Two base backplane 1Gbps interfaces (base1 and base2) for HA heartbeat communications across the FortiGate-5000 chassis base backplane.
- Five fabric backplane 40Gbps interfaces (fabric1 to fabric5) for data communications across the FortiGate-5000 chassis fabric backplane



You can use the following get command to display the FortiGate-5001E NP6 configuration. The command output shows both NP6s connected to each interface with cross-chip offloading supported for all interfaces connected to the NP6 processors. You can also use the `diagnose npu np6 port-list` command to display this information.

```
get hardware npu np6 port-list
Chip                XAUI Ports    Max      Cross-chip
                   0-3           Speed    offloading
-----
NP#0-1              0-3  port1      40000M   Yes
NP#0-1              0-3  port2      40000M   Yes
NP#0-1              0-3  port3      10000M   Yes
NP#0-1              0-3  port4      10000M   Yes
NP#0-1              0-3  base1      1000M    Yes
NP#0-1              0-3  base2      1000M    Yes
NP#0-1              0-3  fabric1    40000M   Yes
NP#0-1              0-3  fabric2    40000M   Yes
NP#0-1              0-3  fabric3    40000M   Yes
NP#0-1              0-3  fabric4    40000M   Yes
NP#0-1              0-3  fabric5    40000M   Yes
-----
```

Distributing traffic evenly among the NP6 processors can optimize performance. For details, see [Optimizing NP6 performance by distributing traffic to XAUI links on page 38](#).

You can also add LAGs to improve performance. For details, see [Increasing NP6 offloading capacity using link aggregation groups \(LAGs\) on page 42](#).

If the FortiGate-5001E or 5001E1 is operating as part of an SLBC system, the output of the `get hardware npu np6 port-list` command shows links to FortiController front panel interfaces, FortiController trunk interfaces, and to the NP6 processors in other FortiGate-5001Es or 5001E1s in the chassis:

```

get hardware npu np6 port-list
Chip                XAUI Ports      Max      Cross-chip
                   Speed      offloading
-----
NP#0-1              0-3  port1      40000M  Yes
NP#0-1              0-3  port2      40000M  Yes
NP#0-1              0-3  port3      10000M  Yes
NP#0-1              0-3  port4      10000M  Yes
NP#0-1              0-3  base1      1000M   Yes
NP#0-1              0-3  base2      1000M   Yes
NP#0-1              0-3  elbc-ctrl1/1 40000M  Yes
NP#0-1              0-3  elbc-ctrl1/2 40000M  Yes
NP#0-1              0-3  np6_0_8    40000M  Yes
NP#0-1              0-3  np6_0_9    40000M  Yes
NP#0-1              0-3  np6_0_10   40000M  Yes
NP#0-1              0-3  np6_0_17   40000M  Yes
NP#0-1              0-3  np6_0_18   40000M  Yes
NP#0-1              0-3  np6_0_19   40000M  Yes
NP#0-1              0-3  np6_0_20   40000M  Yes
NP#0-1              0-3  np6_0_21   40000M  Yes
NP#0-1              0-3  np6_0_22   40000M  Yes
NP#0-1              0-3  np6_0_23   40000M  Yes
NP#0-1              0-3  np6_0_24   40000M  Yes
NP#0-1              0-3  fctrl11/trunk01 40000M  Yes
NP#0-1              0-3  fctrl12/trunk01 40000M  Yes
NP#0-1              0-3  np6_0_27   40000M  Yes
NP#0-1              0-3  np6_0_28   40000M  Yes
NP#0-1              0-3  np6_0_29   40000M  Yes
NP#0-1              0-3  np6_0_30   40000M  Yes
NP#0-1              0-3  np6_0_31   40000M  Yes
NP#0-1              0-3  np6_0_32   40000M  Yes
NP#0-1              0-3  fctrl11/f1-1 10000M  Yes
NP#0-1              0-3  fctrl12/f1-1 10000M  Yes
NP#0-1              0-3  fctrl11/f1-2 10000M  Yes
NP#0-1              0-3  fctrl12/f1-2 10000M  Yes
NP#0-1              0-3  fctrl11/f1-3 10000M  Yes
NP#0-1              0-3  fctrl12/f1-3 10000M  Yes
NP#0-1              0-3  fctrl11/f1-4 10000M  Yes
NP#0-1              0-3  fctrl12/f1-4 10000M  Yes
NP#0-1              0-3  fctrl11/f1-5 10000M  Yes
NP#0-1              0-3  fctrl12/f1-5 10000M  Yes
NP#0-1              0-3  fctrl11/f1-6 10000M  Yes
NP#0-1              0-3  fctrl12/f1-6 10000M  Yes
NP#0-1              0-3  fctrl11/f1-7 10000M  Yes
NP#0-1              0-3  fctrl12/f1-7 10000M  Yes
NP#0-1              0-3  fctrl11/f1-8 10000M  Yes
NP#0-1              0-3  fctrl12/f1-8 10000M  Yes
NP#0-1              0-3  fctrl11/f1-9 10000M  Yes
NP#0-1              0-3  fctrl12/f1-9 10000M  Yes
NP#0-1              0-3  fctrl11/f1-10 10000M  Yes
NP#0-1              0-3  fctrl12/f1-10 10000M  Yes
NP#0-1              0-3  fctrl11/f2-1 10000M  Yes
NP#0-1              0-3  fctrl12/f2-1 10000M  Yes
NP#0-1              0-3  fctrl11/f2-2 10000M  Yes
NP#0-1              0-3  fctrl12/f2-2 10000M  Yes
NP#0-1              0-3  fctrl11/f2-3 10000M  Yes

```

NP#0-1	0-3	fctrl2/f2-3	10000M	Yes
NP#0-1	0-3	fctrl11/f2-4	10000M	Yes
NP#0-1	0-3	fctrl2/f2-4	10000M	Yes
NP#0-1	0-3	fctrl11/f2-5	10000M	Yes
NP#0-1	0-3	fctrl2/f2-5	10000M	Yes
NP#0-1	0-3	fctrl11/f2-6	10000M	Yes
NP#0-1	0-3	fctrl2/f2-6	10000M	Yes
NP#0-1	0-3	fctrl11/f2-7	10000M	Yes
NP#0-1	0-3	fctrl2/f2-7	10000M	Yes
NP#0-1	0-3	fctrl11/f2-8	10000M	Yes
NP#0-1	0-3	fctrl2/f2-8	10000M	Yes
NP#0-1	0-3	fctrl11/f2-9	10000M	Yes
NP#0-1	0-3	fctrl2/f2-9	10000M	Yes
NP#0-1	0-3	fctrl11/f2-10	10000M	Yes
NP#0-1	0-3	fctrl2/f2-10	10000M	Yes

Splitting front panel interfaces

You can use the following CLI command to split the port1 and port2 front panel interfaces into four interfaces.

```
config system global
  set split-port {port1 port2}
end
```

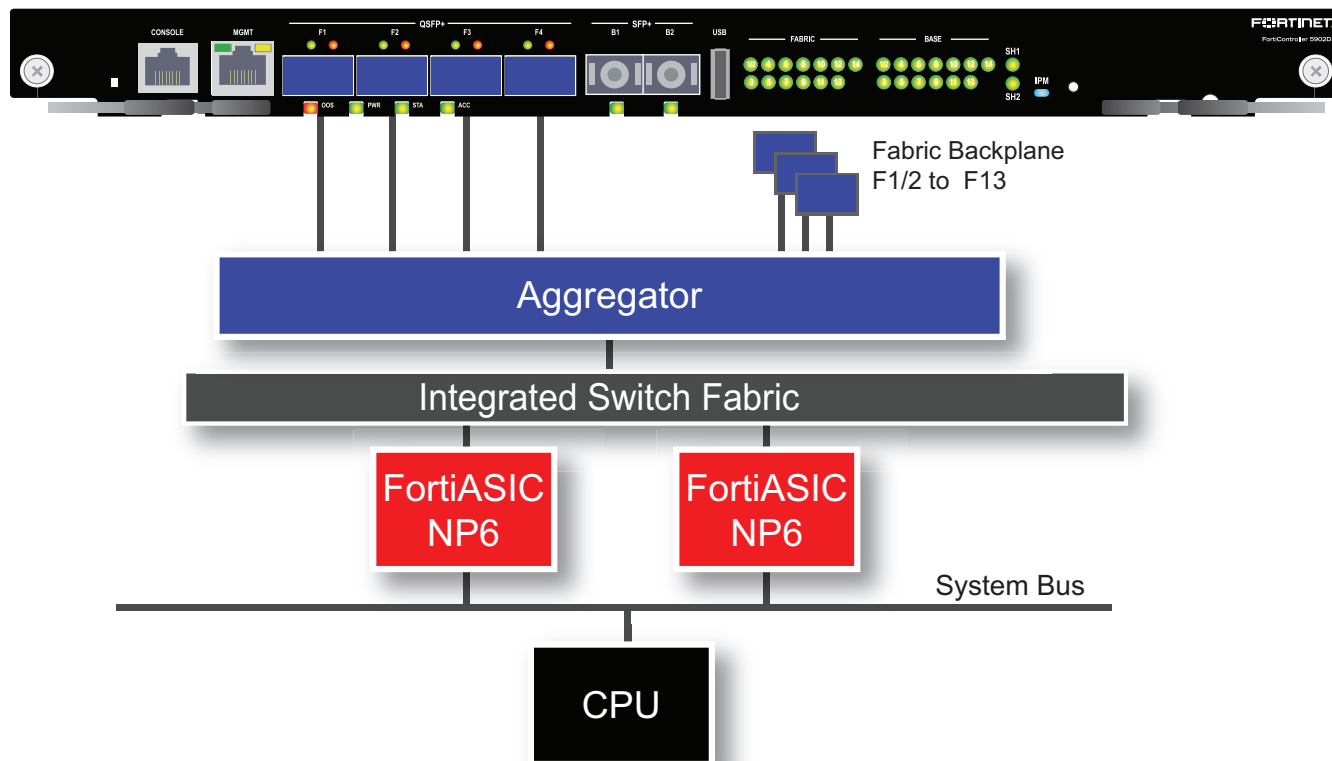
FortiController-5902D fast path architecture

The FortiController-5902D NP6 network processors and integrated switch fabric (ISF) provide hardware acceleration by offloading load balancing from the primary FortiController-5902D CPU. Network processors are especially useful for accelerating load balancing of TCP and UDP sessions.

The first packet of every new session is received by the primary FortiController-5902D and the primary FortiController-5902D uses its load balancing schedule to select the worker that will process the new session. This information is passed back to an NP6 network processor and all subsequent packets of the same sessions are offloaded to an NP6 network processor which sends the packet directly to a subordinate unit. Load balancing is effectively offloaded from the primary unit to the NP6 network processors resulting in a faster and more stable active-active cluster.

Traffic accepted by the FortiController-5902D F1 to F4 interfaces is that is processed by the primary FortiController-5902D is also be offloaded to the NP6 processors.

Individual FortiController-5902D interfaces are not mapped to NP6 processors. Instead an Aggregator connects the all fabric interfaces to the ISF and no special mapping is required for fastpath offloading.



NP6 content clustering mode interface mapping

FortiController-5902Ds run in content clustering mode and load balance sessions to FortiGate 5001D workers. Use the following command to enable content clustering:

```
config system elbc
    set mode content-cluster
    set inter-chassis-support enable
end
```

You can use the following get command to display the content clustering FortiController-5902D NP6 configuration. The output shows that all ports are mapped to all NP6 processors. You can also use the `diagnose npu np6 port-list` command to display this information.

```
get hardware npu np6 port-list
```

Chip	XAUI Ports	Max Speed	Cross-chip offloading
all	0-3 f1	40000M	Yes
all	0-3 f2	40000M	Yes
all	0-3 f3	40000M	Yes
all	0-3 f4	40000M	Yes
all	0-3 np6_0_4	10000M	Yes
all	0-3 np6_0_5	10000M	Yes
all	0-3 elbc-ctrl/1-2	40000M	Yes
all	0-3 elbc-ctrl/3	40000M	Yes
all	0-3 elbc-ctrl/4	40000M	Yes

all	0-3	elbc-ctrl/5	40000M	Yes
all	0-3	elbc-ctrl/6	40000M	Yes
all	0-3	elbc-ctrl/7	40000M	Yes
all	0-3	elbc-ctrl/8	40000M	Yes
all	0-3	elbc-ctrl/9	40000M	Yes
all	0-3	elbc-ctrl/10	40000M	Yes
all	0-3	elbc-ctrl/11	40000M	Yes
all	0-3	elbc-ctrl/12	40000M	Yes
all	0-3	elbc-ctrl/13	40000M	Yes
all	0-3	elbc-ctrl/14	40000M	Yes

NP6 default interface mapping

You can use the following command to display the default FortiController-5902D NP6 configuration.

```
diagnose npu np6 port-list
```

Chip	XAUI	Ports	Max Speed	Cross-chip offloading
all	0-3	f1	40000M	Yes
all	0-3	f2	40000M	Yes
all	0-3	f3	40000M	Yes
all	0-3	f4	40000M	Yes
all	0-3	np6_0_4	10000M	Yes
all	0-3	np6_0_5	10000M	Yes
all	0-3	fabric1/2	40000M	Yes
all	0-3	fabric3	40000M	Yes
all	0-3	fabric4	40000M	Yes
all	0-3	fabric5	40000M	Yes
all	0-3	fabric6	40000M	Yes
all	0-3	fabric7	40000M	Yes
all	0-3	fabric8	40000M	Yes
all	0-3	fabric9	40000M	Yes
all	0-3	fabric10	40000M	Yes
all	0-3	fabric11	40000M	Yes
all	0-3	fabric12	40000M	Yes
all	0-3	fabric13	40000M	Yes
all	0-3	fabric14	40000M	Yes

FortiGate NP6XLite architectures

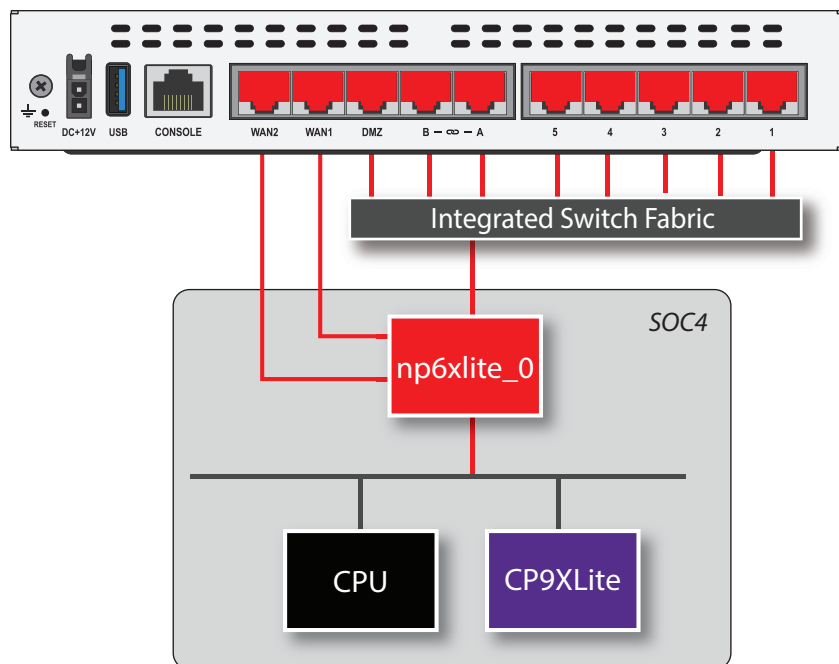
This chapter shows the NP6XLite architecture for FortiGate models that include NP6XLite processors.

FortiGate 60F and 61F fast path architecture

The FortiGate 60F and 61F includes the SOC4 and uses the SOC4 CPU, NP6XLite processor, and CP9XLite processor. All of the data interfaces (1-5, A, B, DMZ, WAN1, and WAN2) connect to the NP6XLite processor. The FortiGate 60F and 61F also includes an integrated switch fabric that connects some of the data interfaces (1-5, A, B, and DMZ) to the NP6XLite processor. The WAN1 and WAN2 interfaces connect directly to the NP6XLite processor. The A and B interfaces can also be used as FortiLink interfaces.

The FortiGate 60F and 61F models feature the following front panel interfaces:

- Eight 10/100/1000BASE-T Copper (1-5, A, B, DMZ) connected to the NP6XLite processor through the integrated switch fabric
- Two 10/100/1000BASE-T Copper (WAN1 and WAN2) directly connected to the NP6XLite processor



You can use the command `diagnose npu np6xlite port-list` to display the FortiGate 60F or 61F NP6XLite configuration.

```
diagnose npu np6xlite port-list
Chip   XAUI Ports           Max   Cross-chip
-----
np6xlite_0
      11   wan1             1000M   NO
```


15	wan2	1000M	NO
7	dmz	1000M	NO
6	internal1	1000M	NO
5	internal2	1000M	NO
4	internal3	1000M	NO
3	internal4	1000M	NO
10	internal5	1000M	NO
9	a	1000M	NO
8	b	1000M	NO

FortiGate 80F, 81F, and 80F Bypass fast path architecture

The FortiGate 80F and 81F includes the SOC4 and uses the SOC4 CPU, NP6XLite processor, and CP9XLite processor. The SFP1, SFP2, WAN1, and WAN2 data interfaces connect directly to the NP6XLite processor. The 1-6, A, and B data interfaces connect to the NP6XLite processor through an integrated switch fabric.

Interfaces SFP1 and WAN1 and SFP2 and WAN2 are shared SFP or Ethernet interfaces. Only one of each of these interface pairs can be connected to a network. This allows you to, for example, connect SFP1 to an SFP switch and WAN2 to 10/100/1000BASE-T Copper switch.

On the FortiGate 80F Bypass model, the WAN1 and 1 interfaces form a copper bypass pair. The SFP1 interface is not part of the bypass pair. On the GUI and CLI the 1 interface is named internal1.

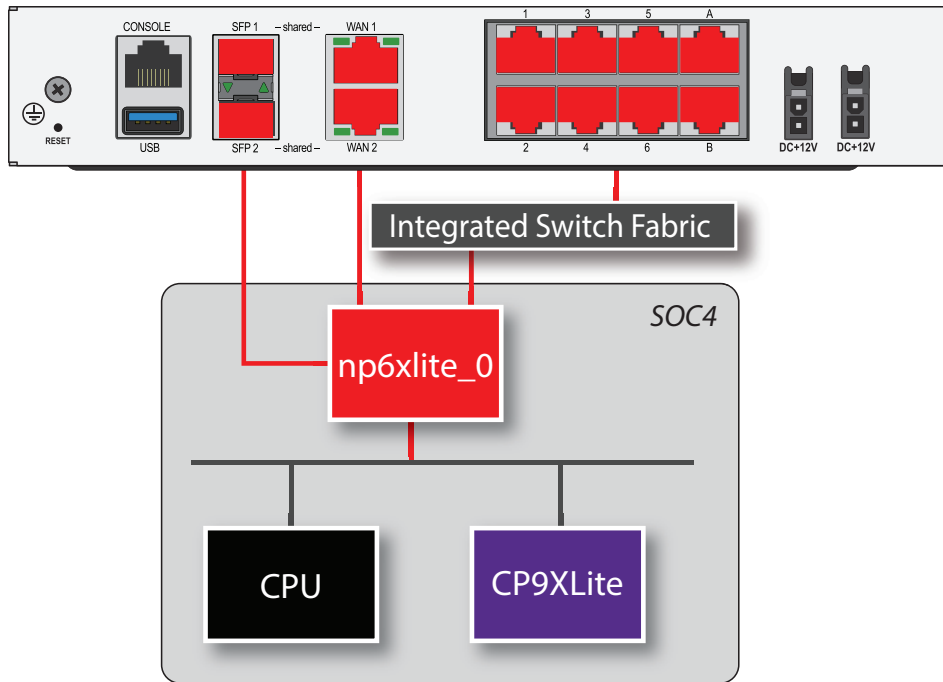
The FortiGate 80F and 81F features the following front panel interfaces:

- Two 1GigE SFP interfaces (SFP1 and SFP2) connected directly to the NP6XLite processor.
- Two 10/100/1000BASE-T Copper interfaces (WAN1, WAN2) connected to the NP6XLite processor through the integrated switch fabric.
- Eight 10/100/1000BASE-T Copper (1-6, A, and B) connected to the NP6XLite processor through the integrated switch fabric. A and B are FortiLink interfaces.
- The FortiGate-80F Bypass includes two shared interfaces that can be either:
 - 1GigE SFP (SFP1 and SFP2)
 - 10/100/1000BASE-T Copper (WAN1 and WAN2)

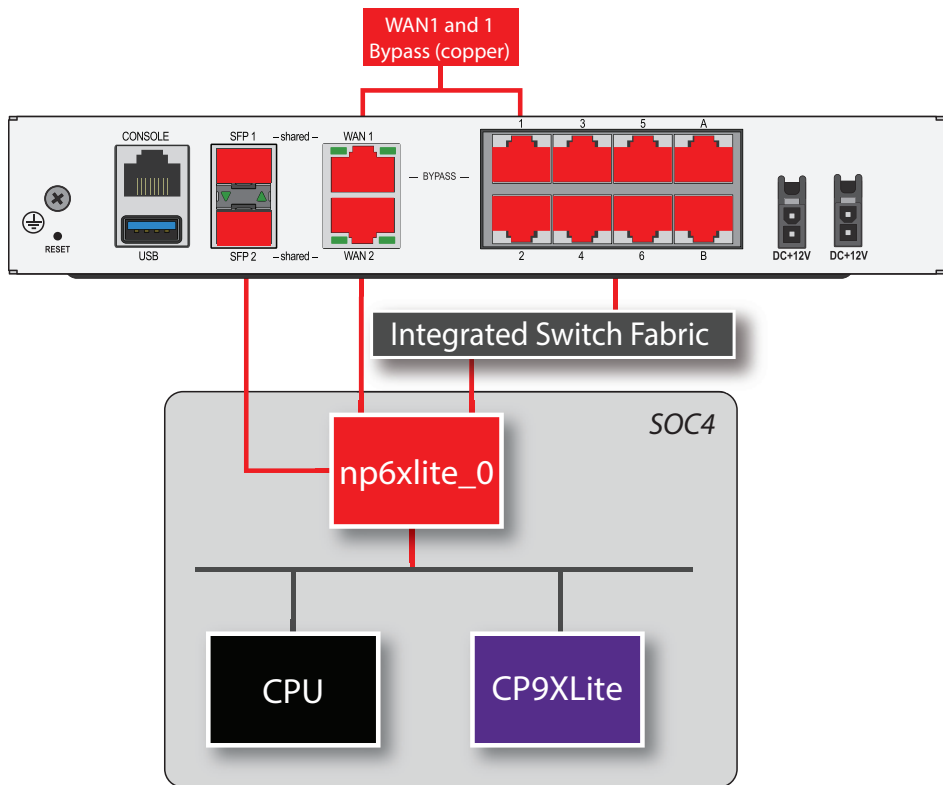


On the FortiGate 80F Bypass model, the WAN1 and 1 interfaces form a bypass pair. Interface 1 (internal1) is part of a hardware switch named internal. To enable bypass mode, you must remove internal1 from the hardware switch.

FortiGate 80F and 81F back panel



FortiGate 80F Bypass back panel



You can use the command `diagnose npu np6xlite port-list` to display the FortiGate 80F or 81F NP6XLite configuration.

```
diagnose npu np6xlite port-list
Chip   XAUI Ports           Max   Cross-chip
       XAUI Ports           Speed offloading
-----
npu6xlite_0
  14   wan1             1000M   NO
  13   wan2             1000M   NO
   7   internal1        1000M   NO
   8   internal2        1000M   NO
   9   internal3        1000M   NO
  10   internal4        1000M   NO
   3   internal5        1000M   NO
   4   internal6        1000M   NO
   5   a                1000M   NO
   6   b                1000M   NO
```

Bypass interfaces (WAN1 and 1)

The FortiGate 80F Bypass model includes a bypass interface pair, WAN1 and 1, that provides fail open support. When a FortiGate 80F Bypass model experiences a hardware failure or loses power, or when bypass mode is enabled, the bypass interface pair operates in bypass mode. In bypass mode, WAN1 and 1 are directly connected. Traffic can pass between WAN1 and 1 bypassing the FortiOS firewall and the NP6XLite processor, but continuing to provide network connectivity.

In bypass mode, the bypass pair acts like a patch cable, failing open and allowing all traffic to pass through. Traffic on the bypass interface that is using VLANs or other network extensions can only continue flowing if the connected network equipment is configured for these features.

The FortiGate 80F Bypass model will continue to operate in bypass mode until the failed FortiGate 80F Bypass model is replaced, power is restored, or bypass mode is disabled. If power is restored or bypass mode is disabled, the FortiGate 80F Bypass model resumes operating as a FortiGate device without interrupting traffic flow. Replacing a failed FortiGate 80F Bypass model disrupts traffic as a technician physically replaces the failed FortiGate 80F Bypass model with a new one.

Manually enabling bypass mode

You can manually enable bypass mode if the FortiGate 80F Bypass model is operating in transparent mode. You can also manually enable bypass mode for a VDOM if WAN1 and 1 are both connected to the same VDOM operating in transparent mode.

By default, interface 1 (internal1) is part of a hardware switch named internal. Before you enable bypass mode, you must enter the following command s to edit the hardware switch and remove internal1 from the switch:

```
config system virtual-switch
  edit internal
    delete internal1
  end
```

Then you can use the following command to enable bypass mode:

```
execute bypass-mode enable
```

This command changes the configuration, so bypass mode will still be enabled if the FortiGate 80F Bypass model restarts.

You can use the following command to disable bypass mode:

```
execute bypass-mode disable
```

Configuring bypass settings

You can use the following command to configure how bypass operates. To configure these settings, you must first remove the internal1 interface from the internal hardware switch.

```
config system bypass
  set bypass-watchdog {disable | enable}
  set poweroff-bypass {disable | enable}
end
```

`bypass-watchdog enable` to turn on bypass mode. When bypass mode is turned on, if the bypass watchdog detects a software or hardware failure, bypass mode will be activated.

`poweroff-bypass` if enabled, traffic will be able to pass between the wan1 and internal1 interfaces if the FortiGate 80F Bypass is powered off.

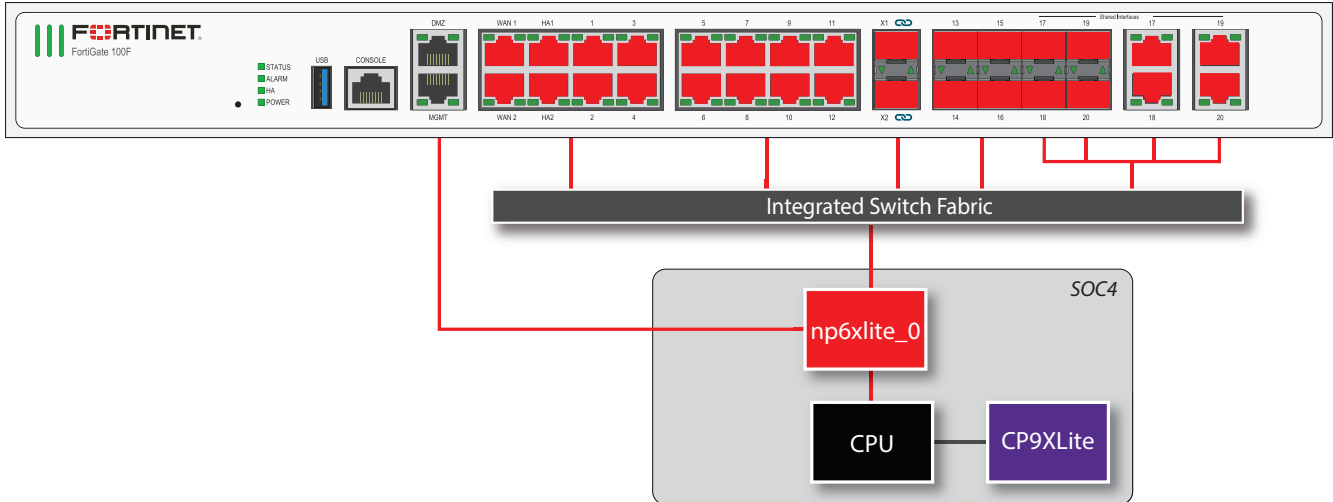
FortiGate 100F and 101F fast path architecture

The FortiGate 100F and 101F both include a SOC4 and use the SOC4 CPU, NP6XLite processor, and CP9XLite processor. All of the data interfaces (1-20), the HA interfaces, and the Fortilink interfaces (X1 and X2) connect to the NP6XLite processor through the integrated switch fabric. The DMZ and MGMT interfaces connect directly to the NP6XLite processor.

Interfaces 17 to 20 are shared SFP or Ethernet interfaces. That means there are two sets of physical interfaces numbered 17 to 20 but only one of each can be connected to a network. This allows you to, for example, connect interfaces 17 and 18 to an SFP switch and interfaces 19 and 20 to a 10/100/1000BASE-T Copper switch.

The FortiGate 100F and 101F models feature the following front panel interfaces:

- Two 10/100/1000BASE-T Copper (DMZ, MGMT) that connect directly to the NP6XLite.
- Sixteen 10/100/1000BASE-T Copper (WAN1, WAN2, HA1, HA2, 1 to 12) that connect to the internal switch fabric.
- Two 10 GigE SFP+ (X1 and X2) FortiLink interfaces.
- Four 1GigE SFP (13 to 16).
- Four shared interfaces (17 to 20) that can be either:
 - 10/100/1000BASE-T Copper
 - 1GE SFP



You can use the command `diagnose npu np6xlite port-list` to display the FortiGate 100F or 101F NP6XLite configuration.

```
diagnose npu np6xlite port-list
```

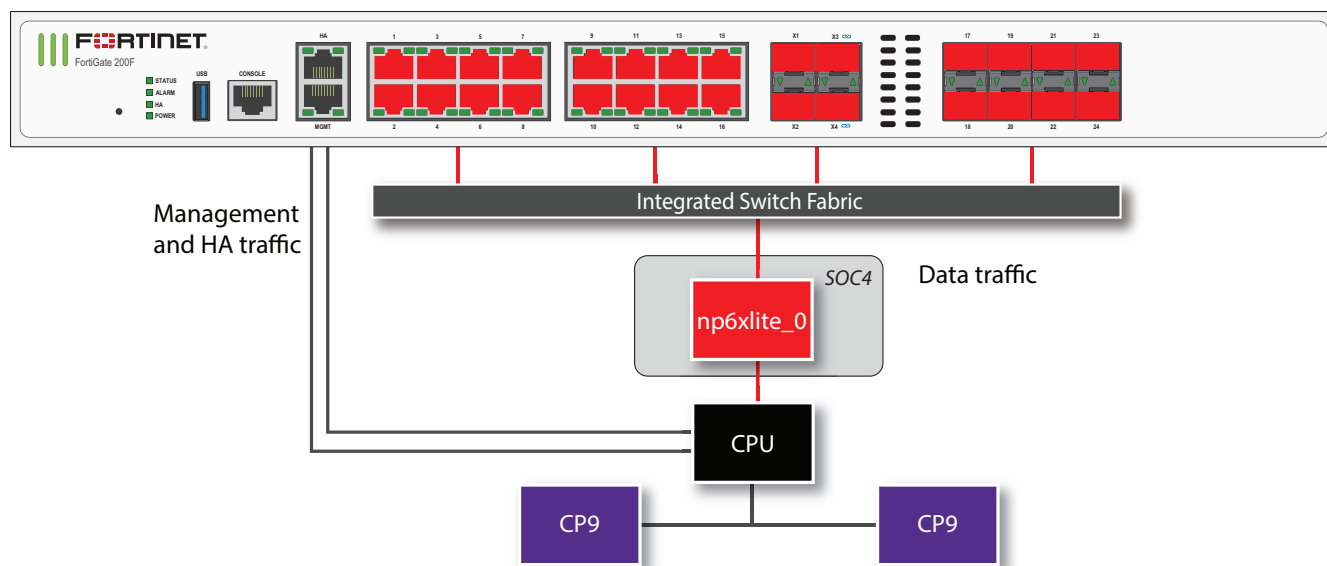
Chip	XAUI	Ports	Max Speed	Cross-chip offloading
np6xlite_0	11	dmz	1000M	NO
	15	mgmt	1000M	NO
	19	wan1	1000M	NO
	19	wan2	1000M	NO
	19	ha1	1000M	NO
	19	ha2	1000M	NO
	19	port1	1000M	NO
	19	port2	1000M	NO
	19	port3	1000M	NO
	19	port4	1000M	NO
	19	port5	1000M	NO
	19	port6	1000M	NO
	19	port7	1000M	NO
	19	port8	1000M	NO
	19	port9	1000M	NO
	19	port10	1000M	NO
	19	port11	1000M	NO
	19	port12	1000M	NO
	19	x1	10000M	NO
	19	x2	10000M	NO
	19	port13	1000M	NO
	19	port14	1000M	NO
	19	port15	1000M	NO
	19	port16	1000M	NO
	19	port17	1000M	NO
	19	port18	1000M	NO
	19	port19	1000M	NO
	19	port20	1000M	NO

FortiGate 200F and 201F fast path architecture

The FortiGate 200F and 201F both include a SOC4 NP6XLite processor. The SOC4 CPU and CP9XLite are not used. Instead, the FortiGate 200F and 201F architecture includes separate CPU resources and two standard CP9 processors. All of the data interfaces (1 to 24 and X1 to X4) connect to the NP6XLite processor through the integrated switch fabric. The X3 and X4 interfaces are FortiLink interfaces. The HA and MGMT interfaces, are not connected to the NP6XLite processor.

The FortiGate 200F and 201F models feature the following front panel interfaces:

- Two 10/100/1000BASE-T Copper (HA, MGMT) that are not connected to the NP6XLite.
- Sixteen 10/100/1000BASE-T Copper (1 to 16).
- Four 10 GigE SFP+ (X1 to X4). X3 and X4 are FortiLink interfaces.
- Eight 1GigE SFP (17 to 24).



All front panel data interfaces and the NP6XLite processor connect to the integrated switch fabric (ISF). All data traffic passes from the data interfaces through the ISF to the NP6XLite processor. All supported traffic passing between any two data interfaces can be offloaded by the NP6XLite processor. Data traffic to be processed by the CPU takes a dedicated data path through the ISF and the NP6XLite processor to the CPU.

The MGMT interface is not connected to the NP6XLite processor. Management traffic passes to the CPU over a dedicated management path that is separate from the data path. The HA interface is also not connected to the NP6XLite processor. To help provide better HA stability and resiliency, HA traffic uses a dedicated physical control path that provides HA control traffic separation from data traffic processing. The separation of management and HA traffic from data traffic keeps management and HA traffic from affecting the stability and performance of data traffic processing.

You can use the command `diagnose npu np6xlite port-list` to display the FortiGate 200F or 201F NP6XLite configuration.

```
diagnose npu np6xlite port-list
Chip   XAUI Ports           Max   Cross-chip
-----  -----             Speed offloading
np6xlite_0
```

19	port1	1000M	NO
19	port2	1000M	NO
19	port3	1000M	NO
19	port4	1000M	NO
19	port5	1000M	NO
19	port6	1000M	NO
19	port7	1000M	NO
19	port8	1000M	NO
19	port9	1000M	NO
19	port10	1000M	NO
19	port11	1000M	NO
19	port12	1000M	NO
19	port13	1000M	NO
19	port14	1000M	NO
19	port15	1000M	NO
19	port16	1000M	NO
19	port17	1000M	NO
19	port18	1000M	NO
19	port19	1000M	NO
19	port20	1000M	NO
19	port21	1000M	NO
19	port22	1000M	NO
19	port23	1000M	NO
19	port24	1000M	NO
19	x1	10000M	NO
19	x2	10000M	NO
19	x3	10000M	NO
19	x4	10000M	NO

FortiGate NP6Lite architectures

This chapter shows the NP6Lite architecture for FortiGate models that include NP6Lite processors.

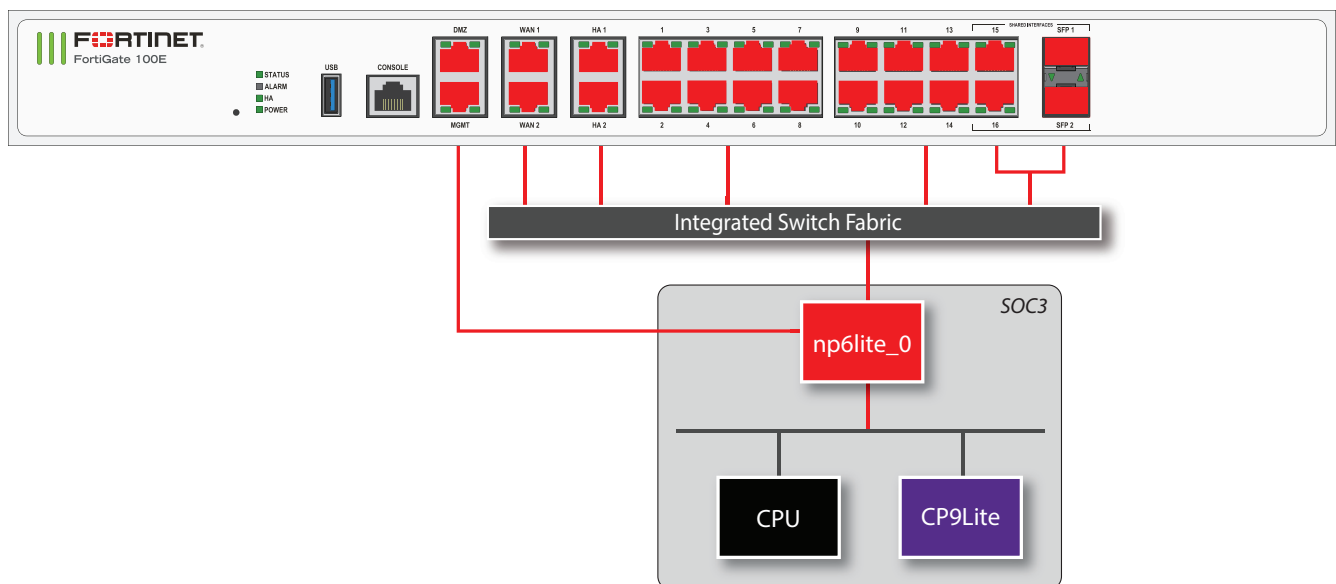
FortiGate 100E and 101E fast path architecture

The FortiGate 100E and 101E includes the SOC3 and uses the SOC3 CPU, NP6Lite processor, and CP9Lite processor. The WAN1, WAN2, HA1, HA2, 1 - 16, SFP1, and SFP2 interfaces connect to the NP6Lite processor through the integrated switch fabric. The DMZ and MGMT interfaces connect directly to the NP6Lite processor.

Interfaces 15 and SFP1 are paired and interfaces 16 and SFP2 are paired. Only one of each interface pair can be connected to a network at a time. This allows you to, for example, connect interface SFP1 to an SFP switch and interface 16 to a 10/100/1000BASE-T Copper switch.

The FortiGate 100F and 101F models feature the following front panel interfaces:

- Two 10/100/1000BASE-T Copper (DMZ, MGMT) that connect directly to the NP6Lite
- Eighteen 10/100/1000BASE-T Copper (WAN1, WAN2, HA1, HA2, 1 to 14) that connect to the NP6Lite processor through the internal switch fabric
- Two shared interfaces that connect to the NP6Lite processor through the internal switch fabric and can be either:
 - 10/100/1000BASE-T Copper (15 and 16), or
 - 1GE SFP (SFP1 and SFP2)



You can use the following get command to display the FortiGate 100E or 101E NP6Lite configuration. You can also use the diagnose npu np6lite port-list command to display this information.

```
get hardware npu np6lite port-list
Chip  XAUI Ports          Max  Cross-chip
```


-----		Speed offloading	
np6lite_0	-----	-----	-----
2	dmz	1000M	NO
1	mgmt	1000M	NO
3	wan1	1000M	NO
4	wan2	1000M	NO
11	ha1	1000M	NO
11	ha2	1000M	NO
11	port1	1000M	NO
11	port2	1000M	NO
11	port3	1000M	NO
11	port4	1000M	NO
11	port5	1000M	NO
11	port6	1000M	NO
11	port7	1000M	NO
11	port8	1000M	NO
11	port9	1000M	NO
11	port10	1000M	NO
11	port11	1000M	NO
11	port12	1000M	NO
11	port13	1000M	NO
11	port14	1000M	NO
11	port15	1000M	NO
11	port16	1000M	NO

FortiGate 200E and 201E fast path architecture

The FortiGate 200E and 201E features the following front panel interfaces:

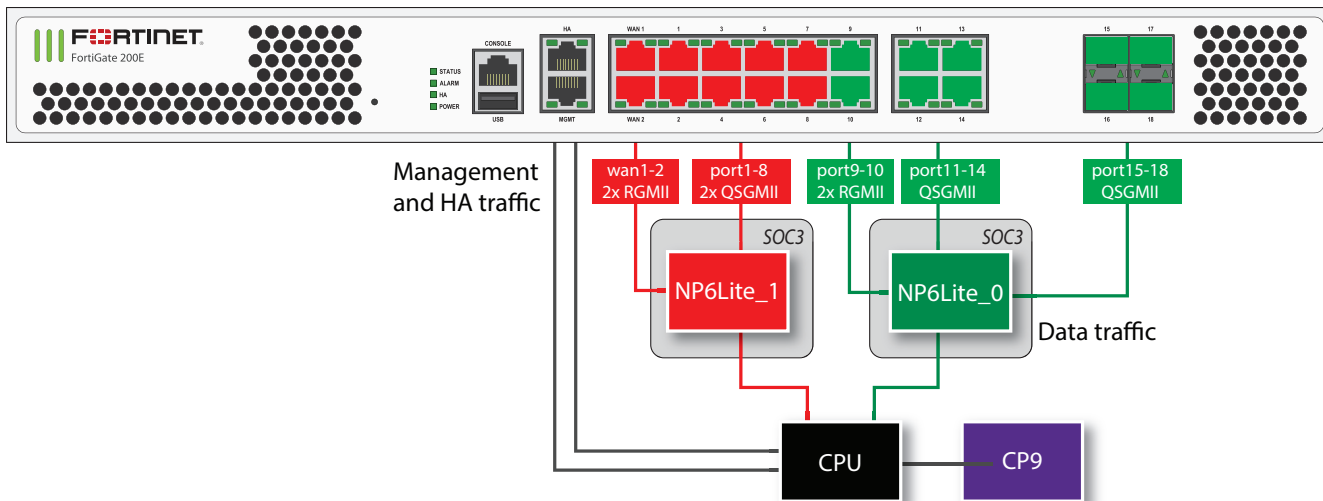
- Two 10/100/1000BASE-T Copper interfaces (MGMT and HA , not connected to the NP6Lite processors)
- Sixteen 10/100/1000BASE-T Copper interfaces (wan1, wan2, 1 to 14)
- Four 1GE SFP interfaces (15 to 18)

The FortiGate 200E and 201E include two SOC3 NP6Lite processors. The SOC3 CPUs and CP9Lite processors are not used. Instead, the FortiGate 200E and 201E architecture includes separate CPU resources and a standard CP9 processor. Because this model does not include a switch fabric, you cannot create Link Aggregation Groups (LAGs) or redundant interfaces between interfaces connected to different NP6Lites. As well, traffic will only be offloaded if it enters and exits the FortiGate on interfaces connected to the same NP6Lite.

The NP6Lites are connected to network interfaces as follows:

- NP6Lite_0 is connected to six 1GE RJ-45 interfaces (9 to 14) and four 1GE SFP interfaces (15 to 18).
- NP6Lite_1 is connected to ten 1GE RJ45 interfaces (wan1, wan2, 1 to 8).

The following diagram also shows the RGMII and QSGMII port connections between the NP6Lite processors and the front panel interfaces. Both RGMII and QSGMII interfaces operate at 1000Mbps. However, QSGMII interfaces can also negotiate to operate at lower speeds: 10, 100, and 1000Mbps. To connect the FortiGate 200E to networks with speeds lower than 1000Mbps use the QSGMII interfaces (port1-8 and port11-18).



All data traffic passes from the data interfaces through to the NP6Lite processors. Data traffic to be processed by the CPU takes a dedicated data path through the ISF and an NP6Lite processor to the CPU.

The MGMT interface is not connected to the NP6Lite processors. Management traffic passes to the CPU over a dedicated management path that is separate from the data path. The HA interface is also not connected to the NP6Lite processors. To help provide better HA stability and resiliency, HA traffic uses a dedicated physical control path that provides HA control traffic separation from data traffic processing. The separation of management and HA traffic from data traffic keeps management and HA traffic from affecting the stability and performance of data traffic processing.

You can use the following get command to display the FortiGate 200E or 201E NP6Lite configuration. You can also use the diagnose npu np6lite port-list command to display this information.

```
get hardware npu np6lite port-list
Chip  XAUI Ports          Max  Cross-chip
      XAUI Ports          Speed offloading
-----
np6lite_0
  2  port9             1000M  NO
  1  port10            1000M  NO
  4  port11            1000M  NO
  3  port12            1000M  NO
  6  port13            1000M  NO
  5  port14            1000M  NO
  9  port15            1000M  NO
 10  port16            1000M  NO
  8  port17            1000M  NO
  7  port18            1000M  NO
np6lite_1
  2  wan1              1000M  NO
  1  wan2              1000M  NO
  4  port1             1000M  NO
  3  port2             1000M  NO
  6  port3             1000M  NO
  5  port4             1000M  NO
  8  port5             1000M  NO
  7  port6             1000M  NO
 10  port7             1000M  NO
  9  port8             1000M  NO
```




FORTINET[®]



Copyright© 2023 Fortinet, Inc. All rights reserved. Fortinet®, FortiGate®, FortiCare® and FortiGuard®, and certain other marks are registered trademarks of Fortinet, Inc., in the U.S. and other jurisdictions, and other Fortinet names herein may also be registered and/or common law trademarks of Fortinet. All other product or company names may be trademarks of their respective owners. Performance and other metrics contained herein were attained in internal lab tests under ideal conditions, and actual performance and other results may vary. Network variables, different network environments and other conditions may affect performance results. Nothing herein represents any binding commitment by Fortinet, and Fortinet disclaims all warranties, whether express or implied, except to the extent Fortinet enters a binding written contract, signed by Fortinet's General Counsel, with a purchaser that expressly warrants that the identified product will perform according to certain expressly-identified performance metrics and, in such event, only the specific performance metrics expressly identified in such binding written contract shall be binding on Fortinet. For absolute clarity, any such warranty will be limited to performance in the same ideal conditions as in Fortinet's internal lab tests. In no event does Fortinet make any commitment related to future deliverables, features or development, and circumstances may change such that any forward-looking statements herein are not accurate. Fortinet disclaims in full any covenants, representations, and guarantees pursuant hereto, whether express or implied. Fortinet reserves the right to change, modify, transfer, or otherwise revise this publication without notice, and the most current version of the publication shall be applicable.