



FortiGate 7000F Administration Guide

FortiOS 7.2.13



FORTINET DOCUMENT LIBRARY

<https://docs.fortinet.com>

FORTINET VIDEO LIBRARY

<https://video.fortinet.com>

FORTINET BLOG

<https://blog.fortinet.com>

CUSTOMER SERVICE & SUPPORT

<https://support.fortinet.com>

FORTINET TRAINING & CERTIFICATION PROGRAM

<https://www.fortinet.com/training-certification>

FORTINET TRAINING INSTITUTE

<https://training.fortinet.com>

FORTIGUARD LABS

<https://www.fortiguard.com>

END USER LICENSE AGREEMENT

<https://www.fortinet.com/doc/legal/EULA.pdf>

FEEDBACK

Email: techdoc@fortinet.com



January 29, 2026

FortiOS 7.2.13 FortiGate 7000F Administration Guide

01-7213-701883-20260129

TABLE OF CONTENTS

Change log	8
What's New	9
What's new for FortiGate 7000F 7.2.13	9
What's new for FortiGate 7000F 7.2.12	9
What's new for FortiGate 7000F 7.2.11	9
What's new for FortiGate 7000F 7.2.10	9
What's new for FortiGate 7000F 7.2.9	9
What's new for FortiGate 7000F 7.2.8	9
What's new for FortiGate 7000F 7.2.7	10
What's new for FortiGate 7000F 7.2.6	10
What's new for FortiGate 7000F 7.2.5	10
FortiGate-7000F overview	11
Licenses, device registration, and support	11
FortiGate 7121F	12
FortiGate 7121F front panel	12
FortiGate 7121F schematic	14
FortiGate 7121F series hardware generations	15
FortiGate 7081F	15
FortiGate 7081F front panel	16
FortiGate 7081F schematic	17
FIM-7941F interface module	19
Front panel interfaces	20
Changing the FIM-7941F 1 to 18, M1, and M2 interfaces	21
Changing the FIM-7941F 19 and 20 interfaces	22
FIM-7941F hardware architecture	24
FIM-7941F NP7 processors	24
FIM-7921F interface module	25
Front panel interfaces	26
Changing the FIM-7921F 1 to 8, M1, and M2 interfaces	27
Changing the FIM-7921F 19 and 20 interfaces	28
FIM-7921F hardware architecture	29
FIM-7921F NP7 processors	30
FPM-7620F processing module	31
FPM-7620F front panel interfaces	31
Changing the FPM-7620F 1 and 2 (P1 and P2) interfaces	32
FPM-7620F hardware schematic	33
FPM-7620F and HPE	34
Configuring NPU port mapping	34
Getting started with FortiGate 7000F	36
Configuring the SLBC management interface	37
Confirming startup status	37
FortiGate 7000F and the Security Fabric	38
FortiGate 7000F and FortiOS Carrier	39

Configuration synchronization	39
Confirming that the FortiGate 7000F is synchronized	39
Viewing more details about FortiGate 7000F synchronization	41
Cluster status dashboard widget	42
FortiGate 7000F dashboard widgets	43
Cluster status	43
Resource usage	43
Sensor Information	43
Multi VDOM mode	43
FortiGate 7000F 7.2.13 incompatibilities and limitations	43
Default management VDOM	44
Maximum number of LAGs and interfaces per LAG	44
High availability	44
Fortilink support	44
Shelf manager module	45
FortiOS features not supported by FortiGate 7000F	45
IPsec VPN tunnels terminated by the FortiGate 7000F	45
Traffic shaping and DDoS policies	46
FortiGuard web filtering and spam filtering queries	46
Web filtering quotas	46
Special notice for new deployment connectivity testing	46
Display the process name associated with a process ID	46
Managing individual FortiGate 7000F FIMs and FPMs	47
Special management port numbers	47
HA mode special management port numbers	48
Managing individual FIMs and FPMs from the CLI	49
Connecting to individual FIM and FPM CLIs of the secondary FortiGate 7000F in an HA configuration	50
Load balancing and flow rules	51
Setting the load balancing method	51
Setting the load balancing method for individual VDOMs	52
Determining the primary FPM	52
Flow rules for sessions that cannot be load balanced	53
GTP load balancing	54
Enabling GTP load balancing	54
GTP with dynamic source port allocation	56
GTP load balancing and fabric channel usage	57
Optimizing FortiOS Carrier NPU GTP performance	57
PFCP load balancing	57
ICMP load balancing	58
Optimizing NAT IP pool allocation on FortiGate 7000F systems with empty FPM slots	58
Adding flow rules to support DHCP relay	59
Flow rules to support multihop BFD (MBFD)	61
Flow rules to support IP multicast	62
Controlling SNAT port partitioning behavior	62
Showing how the NP7 processors will load balance a session	63

Adjusting global NP7 load balancing timers	63
Maximum number of flow rules limited by hardware	64
SSL VPN load balancing	65
Setting up SSL VPN using flow rules	65
If you change the SSL VPN server listening port	66
Adding the SSL VPN server IP address	66
IPsec VPN load balancing	68
Configuring IPsec VPN load balancing	68
SD-WAN with multiple IPsec VPN tunnels	69
Example FortiGate 7000F IPsec VPN VRF configuration	69
Troubleshooting	70
FortiGate 7000F high availability	73
Introduction to FortiGate 7000F FGCP HA	73
Before you begin configuring HA	75
Changing the interface configuration before configuring HA	75
Basic FortiGate 7000F HA configuration	76
Verifying that the cluster is operating normally	78
Confirming that the FortiGate 7000F HA cluster is synchronized	78
Viewing more details about HA cluster synchronization	79
Example HA heartbeat and session synchronization configurations	80
Using M3 interfaces for HA heartbeat and M1 interfaces for session synchronization	81
Using M3 interfaces for HA heartbeat and M1 interfaces in a LAG for session synchronization	83
Primary FortiGate 7000F selection with override disabled (default)	86
Primary FortiGate 7000F selection with override enabled	86
Failover protection	87
Device failure	87
FIM failure	87
Link failure	88
FPM failure	88
Session failover	88
Primary FortiGate 7000F recovery	89
HA reserved management interfaces	89
HA in-band management for management interfaces	90
Virtual clustering	90
Limitations of FortiGate 7000F virtual clustering	91
Virtual clustering VLAN/VDOM limitation	91
Configuring virtual clustering	92
HA cluster firmware upgrades	95
Distributed clustering	96
Modifying heartbeat timing	97
Changing the heartbeat interval	98
Changing the lost heartbeat threshold	98
Adjusting the heartbeat interval and lost heartbeat threshold	98
Changing the time to wait in the hello state	99
Changing how long routes stay in a cluster unit routing table	99

FortiGate 7000F FGSP	100
FortiGate 7000F FortiOS Carrier GTP with FGSP support	100
FGSP session synchronization options	100
Example FortiGate 7000F FGSP configuration using 1-M1 and 2-M1 interfaces	101
Standalone configuration synchronization	104
Limitations	105
FortiGate 7000F VRRP HA	106
Operating a FortiGate 7000F	107
TPM support	107
FortiLink support	107
ECMP support	108
Enabling auxiliary session support	108
ICAP support	108
Example ICAP configuration	109
SSL mirroring support	110
FortiGate 7000F NP7 processors support offloading DoS policies	111
NP7 Host Protection Engine (HPE) support	111
Global option for proxy-based certificate queries	112
VXLAN support	112
Using data interfaces for management traffic	112
In-band management limitations	113
Setting the MTU for a data interface	113
More management connections than expected for one device	113
More ARP queries than expected for one device - potential issue on large WiFi networks	114
VLAN ID 1 is reserved	114
Connecting to module CLIs using the System Management Module	114
Example: connecting to the FortiOS CLI of the FIM in slot 1	115
Using direct SLBC logging to optimize logging performance	116
Remote logging for individual FPMs	116
Some VDOM exception options not supported in HA mode	117
Configuring individual FPMs to send logs to different FortiAnalyzers	117
Configuring VDOMs on individual FPMs to send logs to different FortiAnalyzers	119
Configuring individual FPMs to send logs to different syslog servers	121
Configuring VDOMs on individual FPMs to send logs to different syslog servers	122
Firmware upgrade basics	124
Verifying that a firmware upgrade is successful	125
Installing firmware on individual FIMs or FPMs	125
Upgrading the firmware on an individual FIM	126
Upgrading the firmware on an individual FPM	127
Installing FIM firmware from the BIOS after a reboot	127
Installing FPM firmware from the BIOS after a reboot	129
Synchronizing FIMs and FPMs after upgrading the primary FIM firmware from the BIOS	131
Replacing a failed FPM or FIM	131
Replacing a failed FPM or FIM in a standalone FortiGate 7000F	131
Replacing a failed FPM or FIM in a FortiGate 7000F chassis in an HA cluster	132
Resolving FIM or FPM boot device I/O errors	132

Formatting an FIM boot device and installing new firmware	133
Formatting an FPM boot device and installing new firmware	134
Failover in a standalone FortiGate 7000F	135
Changing the FortiGate 7000F log disk and RAID configuration	136
Resetting to factory defaults	136
Restarting the FortiGate 7000F	137
Packet sniffing for FIM and FPM packets	137
Packet sniffing integrated switch fabric (ISF) interfaces	138
Diagnose debug flow trace for FPM and FIM activity	139
FortiGate 7000F config CLI commands	140
config load-balance flow-rule	140
config load-balance setting	143
FortiGate 7000F execute CLI commands	147
Default flow rules for traffic that cannot be load balanced	149

Change log

Date	Change description
January 29, 2026	FortiOS 7.2.13 document release.
September 4, 2025	FortiOS 7.2.12 document release.
February 11, 2025	FortiOS 7.2.11 document release.
December 20, 2024	Corrected the configuration in Example FortiGate 7000F FGSP configuration using 1-M1 and 2-M1 interfaces on page 101 .
September 19, 2024	FortiOS 7.2.10 document release.
August 15, 2024	FortiOS 7.2.9 document release.
July 19, 2024	On the FortiGate 7000F, to support FortiLink you must manually set the LACP mode of the fortlink interface to static, for details and more information, see FortiLink support on page 107 .
June 14, 2024	New section: GTP with dynamic source port allocation on page 56 .
April 3, 2024	Information about the <code>diagnose span-sniffer</code> command that can be used to sniff packets on internal FortiGate 7000F switch and NP7 load balancer interfaces added to What's new for FortiGate 7000F 7.2.6 on page 10 and Packet sniffing integrated switch fabric (ISF) interfaces on page 138 .
March 14, 2024	FortiOS 7.2.8 document release.
February 7, 2024	FortiOS 7.2.7 document release.
February 6, 2024	Corrected information about the interfaces that can be used for FGSP session synchronization, see FortiGate 7000F FGSP on page 100 .
December 21, 2023	New section: FortiGate 7121F on page 12 .
October 13, 2023	The <code>config vpn ssl settings option tunnel-addr-assigned-method</code> is now available again, see FortiOS features not supported by FortiGate 7000F on page 45 . Added a link to more information about FortiGate 7000F SNAT port allocation to Controlling SNAT port partitioning behavior on page 62 .
October 3, 2023	Added background information about using LAGs for session sync interfaces to Introduction to FortiGate 7000F FGCP HA on page 73 .
September 28, 2023	FortiOS 7.2.6 document release.
August 9, 2023	New section: FortiGate 7000F and FortiOS Carrier on page 39 . Removed incorrect information about FortiOS Carrier licensing.
June 8, 2023	FortiOS 7.2.5 document release.

What's New

This section describes what's been added to FortiOS 7.2 FortiGate 7000F releases.

What's new for FortiGate 7000F 7.2.13

FortiGate 7000F for FortiOS 7.2.13 includes the resolved issues described in the [FortiOS 7.2.13 Release Notes](#).

What's new for FortiGate 7000F 7.2.12

FortiGate 7000F for FortiOS 7.2.12 includes the resolved issues described in the [FortiOS 7.2.12 Release Notes](#).

What's new for FortiGate 7000F 7.2.11

FortiGate 7000F for FortiOS 7.2.11 includes the resolved issues described in the [FortiOS 7.2.11 Release Notes](#).

What's new for FortiGate 7000F 7.2.10

FortiGate 7000F for FortiOS 7.2.10 includes the resolved issues described in the [FortiOS 7.2.10 Release Notes](#).

What's new for FortiGate 7000F 7.2.9

FortiGate 7000F for FortiOS 7.2.9 includes the resolved issues described in the [FortiOS 7.2.9 Release Notes](#).

What's new for FortiGate 7000F 7.2.8

FortiGate 7000F for FortiOS 7.2.8 includes the following change:

- The command `diagnose sys ha set-as-primary` has been removed.

What's new for FortiGate 7000F 7.2.7

FortiGate 7000F for FortiOS 7.2.7 includes the resolved issues described in the [FortiOS 7.2.7 Release Notes](#).

What's new for FortiGate 7000F 7.2.6

FortiGate 7000F for FortiOS 7.2.6 includes the following new features:

- Because FortiGate 7000F SLBC load balancing is done by NP7 processors, the FortiGate 7000F platform now supports setting a per-VDOM load balancing method, see [Setting the load balancing method for individual VDOMs on page 52](#).
- Some of the functionality of the former Configuration Sync Monitor is now available from the new Cluster Status dashboard widget, see [Cluster status dashboard widget on page 42](#).
- The Sensor Information dashboard widget is now available, see [FortiGate 7000F dashboard widgets on page 43](#).
- New FortiGate 7000F `diagnose span-sniffer` command that can be used to sniff packets on internal FortiGate 7000F switch and NP7 load balancer interfaces, see [Packet sniffing integrated switch fabric \(ISF\) interfaces on page 138](#).

What's new for FortiGate 7000F 7.2.5

FortiGate 7000F for FortiOS 7.2.5 includes the following new features:

- Main branch support for the following FortiGate 7000F models:
 - FortiGate-7121F
 - FortiGate-7081F

FortiGate-7000F overview

A FortiGate-7000F product consists of a FortiGate-7000F series chassis (for example, the FortiGate 7121F or the FortiGate 7081F) with FortiGate-7000F FIMs and FPM installed in the chassis slots. A FortiGate 7121F chassis can include two interface modules (FIMs) installed in slots 1 and 2 to provide data network connections and NP7-accelerated session-aware load balancing for up to ten processor modules (FPMs) to be installed in slots 3 to 12. A FortiGate 7081F chassis can include two interface modules (FIMs) installed in slots 1 and 2 to provide data network connections and NP7-accelerated session-aware load balancing for up to six processor modules (FPMs) to be installed in slots 3 to 8. The processor FPMs include NP7 processors to offload data processing from the CPU, CP9 processors to accelerate resource intensive security processes, and additional data network interfaces.

FortiGate-7000F products are sold and licensed as packages that include the chassis as well as the modules to be included in the chassis. When you receive your FortiGate-7000F series product the chassis has to be installed in a rack and the FIMs and FPMs installed in the chassis. FIMs always go in slots 1 and 2 and FPMs in slots 3 and up.

As an administrator, you can connect to the FortiGate-7000F GUI or CLI by connecting to the IP address of one of the MGMT interfaces. By default, the MGMT1 interface IP address of the FIM in slot 1 is 192.168.1.99. The FortiOS firmware running on each FIM and FPM has the same version and configuration. You make configuration changes from the FIM in slot 1 and these changes are synchronized to the other FIM and all FPMs.

You can upgrade FortiGate-7000F firmware by logging into a MGMT interface and performing a firmware upgrade as you would for any FortiGate. During the upgrade process the firmware of all of the FIMs and FPMs in the chassis upgrades in one step. Firmware upgrades should be done during a quiet time because traffic will briefly be interrupted during the upgrade process.

FortiGate-7000F systems typically consist of two FortiGate-7000F chassis operating as an FGCP active-passive cluster. Similar to a typical FortiGate cluster, you can manage the cluster by logging into a MGMT interface. The cluster logs you into the MGMT interface of the primary FortiGate-7000F in the cluster. You upgrade the firmware of an operating cluster in the same way as a standalone FortiGate-7000F chassis. If you have `upgrade-mode set to uninterruptible`, the cluster updates the firmware in both chassis without interrupting data traffic.

Licenses, device registration, and support

A FortiGate-7000F product is made up of a FortiGate-7000F series chassis, one or two FIMs and two to ten FPMs. The entire package is licensed and configured as a single product under the FortiGate-7000F chassis serial number. When you receive a new FortiGate-7000F product you register it on <https://support.fortinet.com> using the chassis serial number. Use the chassis serial number when requesting support from Fortinet for the product.

All Fortinet licensing, including FortiCare Support, IPS, AntiVirus, Web Filtering, Mobile Malware, FortiClient, FortiCloud, and additional virtual domains (VDOM) is for the entire FortiGate-7000F product and not for individual components.

If an individual component, such as a single interface or processor fails you can RMA and replace just that component.

FortiGate 7121F

The FortiGate 7121F is a 16U 19-inch rackmount 12-slot chassis with a 1Tbps fabric backplane and 50Gbps base backplane designed by Fortinet. The fabric backplane provides network data communication among chassis slots and the base backplane provides management and synchronization communication among the chassis slots.

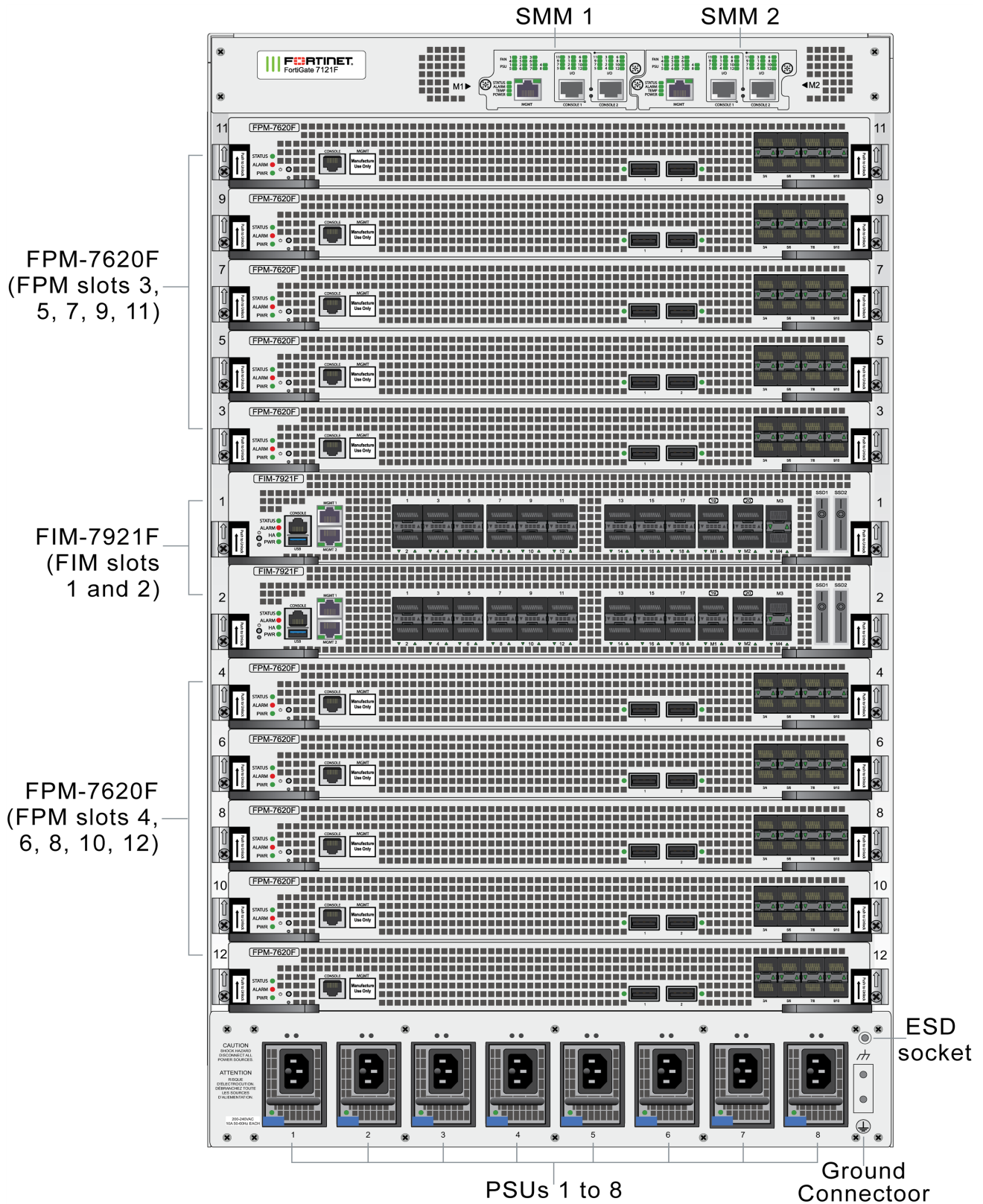
FortiGate 7121F front panel

The FortiGate 7121F chassis is managed by two redundant System Management Modules (SMMs 1 and 2). Each SMM includes an ethernet connection as well as two switchable console ports that provide console connections to the modules in the chassis slots. Chassis modules include two FIMs in slots 1 and 2 and up to ten FPMs in slots 3 to 12. The active SMM controls chassis cooling and power management and provides an interface for managing the FIMs and FPMs in the chassis.

Power is provided to a generation 1 FortiGate 7121F chassis using eight hot swappable 200-240 VAC, 50-60 Hz 2000W AC or -48Vdc to -60Vdc 2000W power supply units (PSUs).

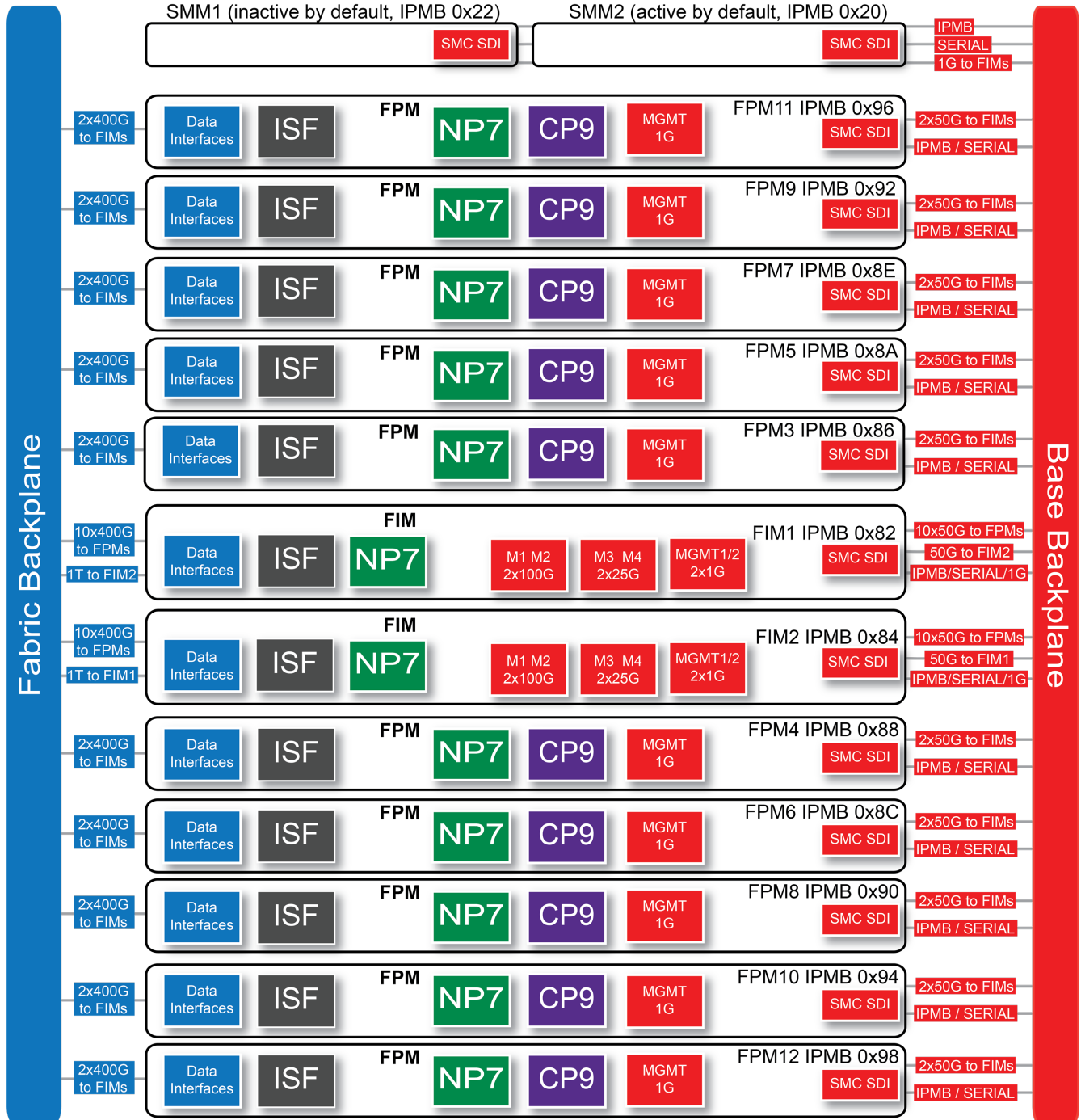
Power is provided to a generation 2 FortiGate 7121F chassis using eight hot swappable 200-240 VAC, 50-60 Hz 2500W AC or -48Vdc to -60Vdc 2500W power supply units (PSUs).

FortiGate 7121F front panel, (showing AC PSUs, example module configuration)



FortiGate 7121F schematic

The FortiGate 7121F chassis schematic shows the communication channels between chassis components including the SMMs (SMM1 and SMM2), the FIMs (FIM1 and FIM2), and the FPMs (FPM3 to FPM12).



By default, SMM2 is the active SMM and SMM1 is inactive or passive. The active SMM always has the Intelligent Platform Management Bus (IPMB) address 0x20 and the passive SMM always has the IPMB address 0x22. Active and

passive refers to the SMM that is controlling the chassis. The MGMT interfaces and console ports on both SMMs are always available.

Each FIM and FPM and the SMMs have a Shelf Management Controller (SMC). These SMCs support IPMB communication between the active SMM and the FIMs and FPMs and other chassis components for storing and sharing sensor data that the SMM uses to control chassis cooling and power distribution. The FortiGate 7121F also includes serial communications to allow console access from the SMM to all FIMs and FPMs.

The base backplane includes 1Gbps ethernet management connections between the SMMs and the FIMs. The base backplane also supports 50Gbps Ethernet communication for management and heartbeat communication between FIMs and FPMs.

FIM1 and FIM2 (IPMB addresses 0x82 and 0x84) are the FIM interface modules in slots 1 and 2. FIM data interfaces connect the chassis to data networks. NP7 processors in the FIMs use session-aware load balancing (SLBC) to distribute data sessions over the FIM Integrated Switch Fabric (ISF) to the 10x400Gbps connections over the fabric backplane to the FPMs. Data communication between FIM1 and FIM2 occurs over a 1TB fabric connection.

The FIM 1Gbps MGMT1 and MGMT2 interfaces are used for Ethernet management access to chassis components. The 2x100Gbps M1 and M2 interfaces are used for HA heartbeat communication between chassis. The 2x25Gbps M3 and M4 interfaces are used for remote logging or other management functions.

FPM3 to FPM12 (IPMB addresses 0x86 to 0x98) are the FPM processor modules in slots 3 to 12. These worker modules process sessions distributed to them over the fabric backplane by the NP7 processors in the FIMs. FPMs include NP7 processors to offload sessions from the FPM CPU and CP9 processors that accelerate content processing. FPMs also include data interfaces that increase the number of data interfaces supported by the FortiGate 7121F. Data sessions received by the FPM data interfaces are sent over the fabric backplane to the FIM NP7 processors to be load balanced back to the FPMs using SLBC.

The FPM 1Gbps MGMT interfaces are used for Ethernet management access to chassis components.

FortiGate 7121F series hardware generations

Two generations of FortiGate 7121F series are now available. Both generations support the same software features. Generation 2 has the following hardware improvements:

- The generation 2 FortiGate 7121F ships with eight 2500W AC or DC PSUs. The generation 1 FortiGate 7121F ships with eight 2000W AC or DC PSUs.
- Because the generation 2 PSUs can supply enough power for 4 x 4 redundancy, the DC combiner is not required for the generation 2 FortiGate 7121F.
- In a generation 2 FortiGate 7121F, you can include a FIM-7921F and a FIM-7941F in the same chassis.

For more information on generation 1 and generation 2 AC PSUs, see the [FortiGate 7121F System Guide](#).

FortiGate 7081F

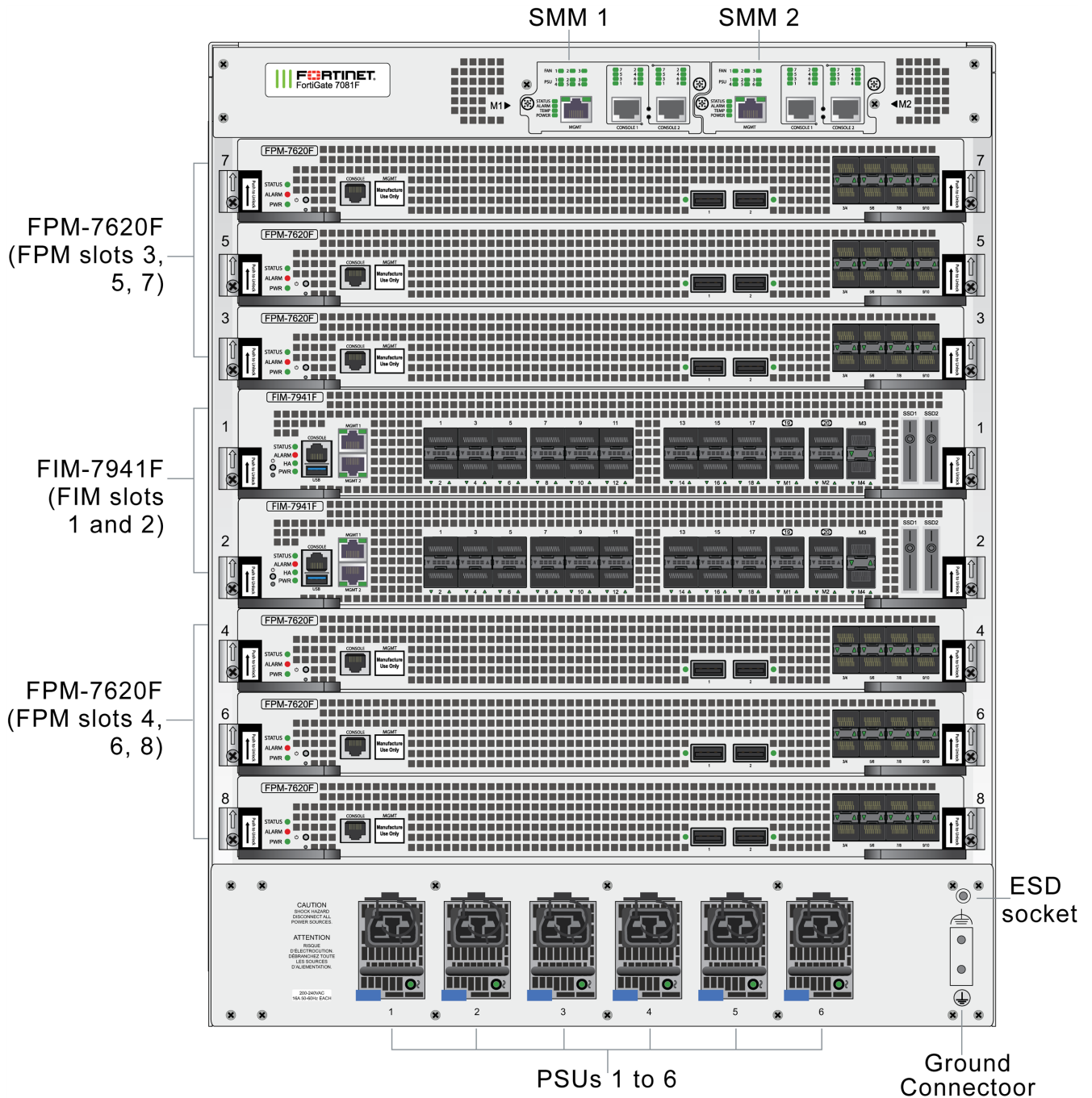
The FortiGate 7081F is a 12U 19-inch rackmount 8-slot chassis with a 1Tbps fabric backplane and 50Gbps base backplane designed by Fortinet. The fabric backplane provides network data communication among chassis slots and the base backplane provides management and synchronization communication among the chassis slots.

FortiGate 7081F front panel

The FortiGate 7081F chassis is managed by two redundant System Management Modules (SMMs 1 and 2). Each SMM includes an ethernet connection as well as two switchable console ports that provide console connections to the modules in the chassis slots. Chassis modules include two FIMs in slots 1 and 2 and up to six FPMs in slots 3 to 8. The active SMM controls chassis cooling and power management and provides an interface for managing the FIMs and FPMs in the chassis.

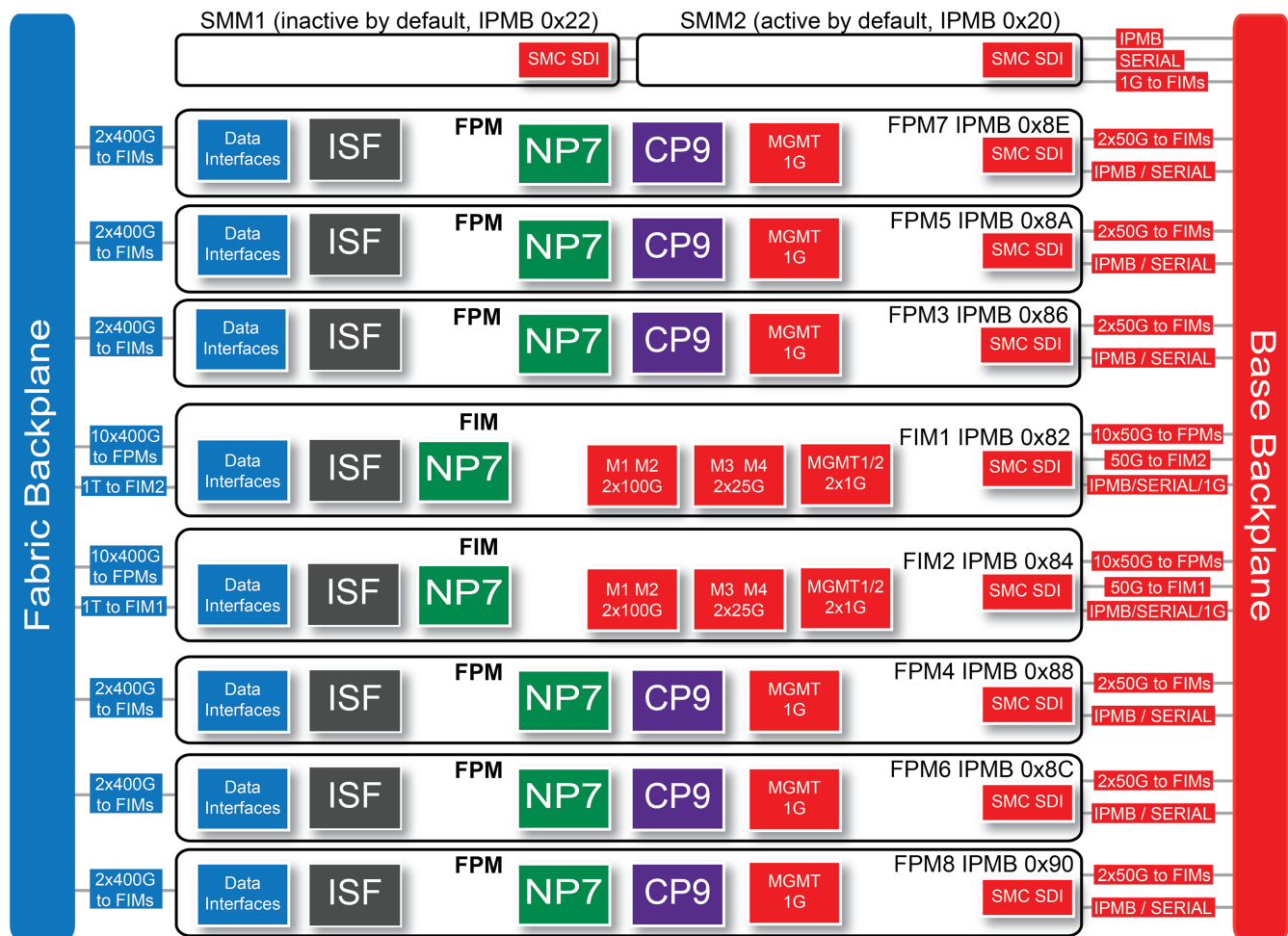
Power is provided to the chassis using six hot swappable 200-240 VAC, 50-60 Hz, 16A, 2500W AC power supply units (PSUs).

FortiGate 7081F front panel, (showing AC PSUs, example module configuration)



FortiGate 7081F schematic

The FortiGate 7081F chassis schematic shows the communication channels between chassis components including the SMMs (SMM1 and SMM2), the FIMs (FIM1 and FIM2), and the FPMs (FPM3 to FPM8).



By default, SMM2 is the active SMM and SMM1 is inactive or passive. The active SMM always has the Intelligent Platform Management Bus (IPMB) address 0x20 and the passive SMM always has the IPMB address 0x22. Active and passive refers to the SMM that is controlling the chassis. The MGMT interfaces and console ports on both SMMs are always available.

Each FIM and FPM and the SMMs have a Shelf Management Controller (SMC). These SMCs support IPMB communication between the active SMM and the FIMs and FPMs and other chassis components for storing and sharing sensor data that the SMM uses to control chassis cooling and power distribution. The FortiGate 7081F also includes serial communications to allow console access from the SMM to all FIMs and FPMs.

The base backplane includes 1Gbps ethernet management connections between the SMMs and the FIMs. The base backplane also supports 50Gbps Ethernet communication for management and heartbeat communication between FIMs and FPMs.

FIM1 and FIM2 (IPMB addresses 0x82 and 0x84) are the FIM interface modules in slots 1 and 2. FIM data interfaces connect the chassis to data networks. NP7 processors in the FIMs use session-aware load balancing (SLBC) to distribute data sessions over the FIM Integrated Switch Fabric (ISF) to the 6x400Gbps connections over the fabric backplane to the FPMs. Data communication between FIM1 and FIM2 occurs over a 1TB fabric connection.

The FIM 1Gbps MGMT1 and MGMT2 interfaces are used for Ethernet management access to chassis components. The 2x100Gbps M1 and M2 interfaces are used for HA heartbeat communication between chassis. The 2x25Gbps M3 and M4 interfaces are used for remote logging or other management functions.

FPM3 to FPM8 (IPMB addresses 0x86 to 0x90) are the FPM processor modules in slots 3 to 8. These worker modules process sessions distributed to them over the fabric backplane by the NP7 processors in the FIMs. FPMs include NP7 processors to offload sessions from the FPM CPU and CP9 processors that accelerate content processing. FPMs also include data interfaces that increase the number of data interfaces supported by the FortiGate 7081F. Data sessions received by the FPM data interfaces are sent over the fabric backplane to the FIM NP7 processors to be load balanced back to the FPMs using SLBC.

The FPM 1Gbps MGMT interfaces are used for Ethernet management access to chassis components.

FIM-7941F interface module

The FIM-7941F interface module is a hot swappable module that provides data, management, and session sync/heartbeat interfaces, base backplane switching, hardware acceleration, and fabric backplane session-aware load balancing for a FortiGate 7000F series chassis. The FIM-7941F includes an integrated switch fabric, five NP7 processors to load balance millions of data sessions over the FortiGate 7000F 400Gbps fabric backplane channel to FPM processor modules. The FIM-7941F also includes a 50Gbps base backplane channel for base backplane management communication with each FPM in the chassis, one 1Tbps fabric backplane channel for fabric backplane communication with the other FIM in the chassis, and a second 50Gbps base backplane channel for base backplane communication with the other FIM in the chassis. The FIM-7941F also includes two 4TByte SSD log disks in a RAID-1 configuration. The SSDs are accessible from the FIM-7941F front panel but should not be removed.



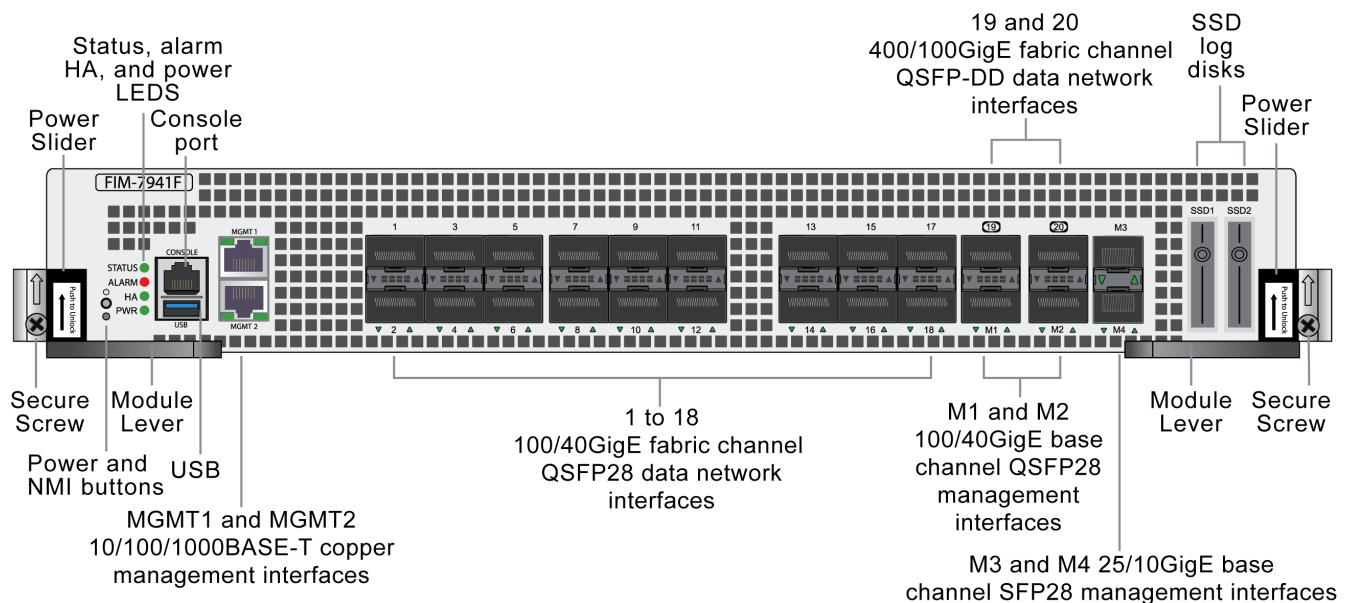
The FIM-7941F interface module is an update of the FIM-7921F interface module with the same architecture but a newer switch fabric that has a greater capacity and supports more advanced features. You cannot include a FIM-7941F and FIM-7921F in the same chassis. In an HA configuration, both chassis in the HA cluster must have the same FIMs.

The FIM-7941F can be installed in any FortiGate 7000F series chassis in chassis hub/switch slots 1 or 2. The FIM-7941F includes eighteen front panel 100GigE QSFP28 fabric channel data network interfaces (1 to 18) and two 400GigE QSFP-DD fabric channel data network interfaces (19 and 20). Interfaces 1 to 18 can be connected to 100Gbps data networks. Interfaces 19 and 20 can be connected to 400Gbps data networks. You can also change the interface type of interfaces 19 and 20 and change the speeds of all of the data interfaces. You can split interfaces 1 to 20, M1, and M2.

The FIM-7941F also includes two 100 GigE QSFP28 base channel management interfaces (M1 and M2) and two 25 GigE SFP28 base channel management interfaces (M3 and M4). The management interfaces can be used for HA heartbeat communication and session synchronization between two chassis in HA mode or for other management functions such as remote logging. You can also change the speeds of the management interfaces. You can also split the M1 and M2 interfaces.

The FIM-7941F includes a console port to provide console access to the FIM-7941F CLI.

FIM-7941F front panel



Front panel interfaces

The front panel also includes M1 and M2 QSFP28, M3 and M4 SFP28 interfaces that connect to the base channel, two Ethernet management interfaces (MGMT1 and MGMT2), and a USB port. The USB port can be used with any USB key for backing up and restoring configuration files and installing and restoring firmware.

Connector	Type	Speed	Protocol	Description
1 to 18	QSFP28	100Gbps 40Gbps 4 x 25Gbps (split) 4 x 10Gbps (split)	Ethernet	Eighteen front panel 100GigE QSFP28 fabric channel data interfaces that can be connected to 100Gbps data networks to distribute sessions to the FPMs in chassis slots 3 and up. The speed of these interfaces can be changed to 40Gbps. These interfaces can be split into four interfaces. Each split interface can operate at 25Gbps or 10Gbps.
19 and 20	QSFP-DD	400Gbps 100Gbps 40Gbps 4 x 100Gbps (split) 4 x 25Gbps (split) 4 x 10Gbps (split) 8 x 25Gbps (split) 8 x 10Gbps (split)	Ethernet	Two front panel 400GigE QSFP-DD fabric channel data interfaces that can be connected to 400Gbps data networks to distribute sessions to the FPMs in chassis slots 3 and up. These interfaces can be changed to 100GigE QSFP28 interfaces and the speed changed to 40Gbps. These interfaces can be split into four interfaces that can operate at 100Gbps, 25Gbps, or 10Gbps. These interfaces can also be split into eight interfaces that can operate at 25Gbps or 10Gbps.

Connector	Type	Speed	Protocol	Description
M1 and M2	QSFP28	100Gbps 40Gbps 4 x 25Gbps (split) 4 x 10Gbps (split)	Ethernet	Two front panel 100GigE QSFP28 base channel management interfaces. These interfaces are used for HA heartbeat, and session synchronization between FIM-7941Fs in different chassis. These interfaces can also be used for management communication (for example, for remote logging). The speed of these interfaces can be changed to 40Gbps. These interfaces can be split into four interfaces. Each split interface can operate at 25Gbps or 10Gbps.
M3 and M4	SFP28	25Gbps 10Gbps	Ethernet	Two front panel 25GigE SFP28 base channel management interfaces. These interfaces are used for HA heartbeat, and session synchronization between FIM-7941Fs in different chassis. These interfaces can also be used for management communication (for example, for remote logging). The speed of these interfaces can be changed to 10Gbps.
MGMT1 and MGMT2	RJ-45	10Mbps 100Mbps 1000Mbps	Ethernet	Two 10/100/1000BASE-T copper out of band management ethernet interfaces.
USB	USB 3.0 Type A		USB 3.0 USB 2.0	Standard USB connector.
Console	RJ-45	9600 bps 8/N/1	RS-232 serial	Serial connection to the FIM-7941F CLI.

Changing the FIM-7941F 1 to 18, M1, and M2 interfaces

By default, the FIM-7941F 1 to 18 (P1 to P18), M1, and M2 interfaces are configured as 100GigE QSFP28 interfaces. You can make the following changes to these interfaces:

- Change the interface speed to 100G or 40G using the `config system interface` command.
- Split one or more of the interfaces into four 25GigE interfaces.
- Change the interface speed of one or more of the split interfaces to 10Gig.



You should configure split interfaces on both FortiGate 7000Fs before forming an FGCP HA cluster. If you decide to change the split interface configuration after forming a cluster, you need to remove the secondary FortiGate 7000F from the cluster and change the split interface configuration on both FortiGate 7000Fs separately. After the FortiGate 7000Fs restart, you can re-form the cluster. This process will cause traffic interruptions.

You can use the following command to split the P3 interface of the FIM-7941F in slot 1 and the P16 and M1 interfaces of the FIM-7941F in slot 2:

```
config system global
  set split-port 1-P3 2-P16 2-M1
end
```

The FortiGate 7000F reboots and when it starts up:

- Interface 1-P3 has been replaced by four 25GigE CR2 interfaces named 1-P3/1 to 1-P3/4.
- Interface 2-P16 has been replaced by four 25GigE CR2 interfaces named 2-P16/1 to 2-P16/4.
- Interface 2-M1 has been replaced by four 25GigE CR2 interfaces named 2-M1/1 to 2-M1/4.

You can use the `config system interface` command to change the speeds of each of the split interfaces. You can change the speed of some or all of the individual split interfaces depending on whether the transceiver installed in the interface slot supports different speeds for the split interfaces.

For example, to change the speed of the 2-P16/3 interface to 10Gig:

```
config system interface
  edit 2-P16/3
    set speed 10000full
  end
```

Changing the FIM-7941F 19 and 20 interfaces

By default, the FIM-7941F 19 and 20 (P19 and P20) interfaces are configured as 400GigE QSFP-DD interfaces. You can make the following changes to one or both of these interfaces:

- Change the interface speed to 400G, 100G, or 40G using the `config system interface` command.
- Split the interface into four 100GigE CR2 interfaces.
- Split the interface into four 25GigE CR or 10GigE SR interfaces.

All of these operations, except changing the interface speed using the `config system interface` command, require a system restart. Fortinet recommends that you perform these operations during a maintenance window and plan the changes to avoid traffic disruption.



You should change interface types or split interfaces on both FortiGate 7000Fs before forming an FGCP HA cluster. If you decide to change interface type or split interfaces after forming a cluster, you need to remove the secondary FortiGate 7000F from the cluster and change interfaces as required on both FortiGate 7000Fs separately. After the FortiGate 7000Fs restart, you can re-form the cluster. This process will cause traffic interruptions.

Splitting the P19 or P20 interfaces into four 100GigE CR2 interfaces

You can use the following command to split the P19 or P20 interfaces into four 100GigE CR2 interfaces. To split P19 of the FIM-7941F in slot 1 (1-P19) and P20 of the FIM-7941F in slot 2 (2-P20) enter the following command:

```
config system global
  set split-port 1-P19 2-P20
end
```

The FortiGate 7000F reboots and when it starts up:

- Interface 1-P19 has been replaced by four 100GigE CR2 interfaces named 1-P19/1 to 1-P19/4.
- Interface 2-P20 has been replaced by four 100GigE CR2 interfaces named 2-P20/1 to 2-P20/4.

Splitting the P19 or P20 interfaces into four 25GigE CR or 10GigE SR interfaces

You can use the following command to split the P19 or P20 interfaces into four 25GigE CR interfaces. The following command converts the interface into a 100GigE QSFP28 interface then splits this interface into four 25 GigE CR interfaces. To split P19 of the FIM-7941F in slot 1 (1-P19) and P20 of the FIM-7941F in slot 2 (2-P20) enter the following command:

```
config system global
  set qsfppdd-100g-port 1-P19 2-P20
  set split-port 1-P19 2-P20
end
```

The FortiGate 7000F reboots and when it starts up:

- Interface 1-P19 has been replaced by four 25GigE CR interfaces named 1-P19/1 to 1-P19/4.
- Interface 2-P20 has been replaced by four 25GigE CR interfaces named 2-P20/1 to 2-P20/4.

If you want some or all of these interfaces to operate as 10GigE SR interfaces you can use the `config system interface` command to change the interface speed. You can change the speed of some or all of the individual split interfaces depending on whether the transceiver installed in the interface slot supports different speeds for the split interfaces.

Splitting the FIM-7941F P19 and P20 interfaces into eight 25GigE CR or 10GigE SR interfaces

You can use the following command to split the P19 or P20 interface of the FIM-7941F into eight 25GigE CR interfaces. To split P20 of the FIM-7941F in slot 1 (1-P20) and P19 of the FIM-7941F in slot 2 (2-P19) enter the following command:

```
config system global
  set split-port 1-P20 2-P19
  set qsfppdd-split8-port 1-P20 2-P19
end
```



You must set both `split-port` and `qsfppdd-split8-port`.

The FortiGate 7000F reboots and when it starts up:

The 1-P20 interface is converted into eight 25GigE CR interfaces named 1-P20/1 to 1-P20/8.

The 2-P19 interface is converted into eight 25GigE CR interfaces named 2-P19/1 to 2-P19/8.

If you want some or all of these interfaces to operate as 10GigE SR interfaces you can use the `config system interface` command to change the interface speed. You can change the speed of some or all of the individual split interfaces depending on whether the transceiver installed in the interface slot supports different speeds for the split interfaces.

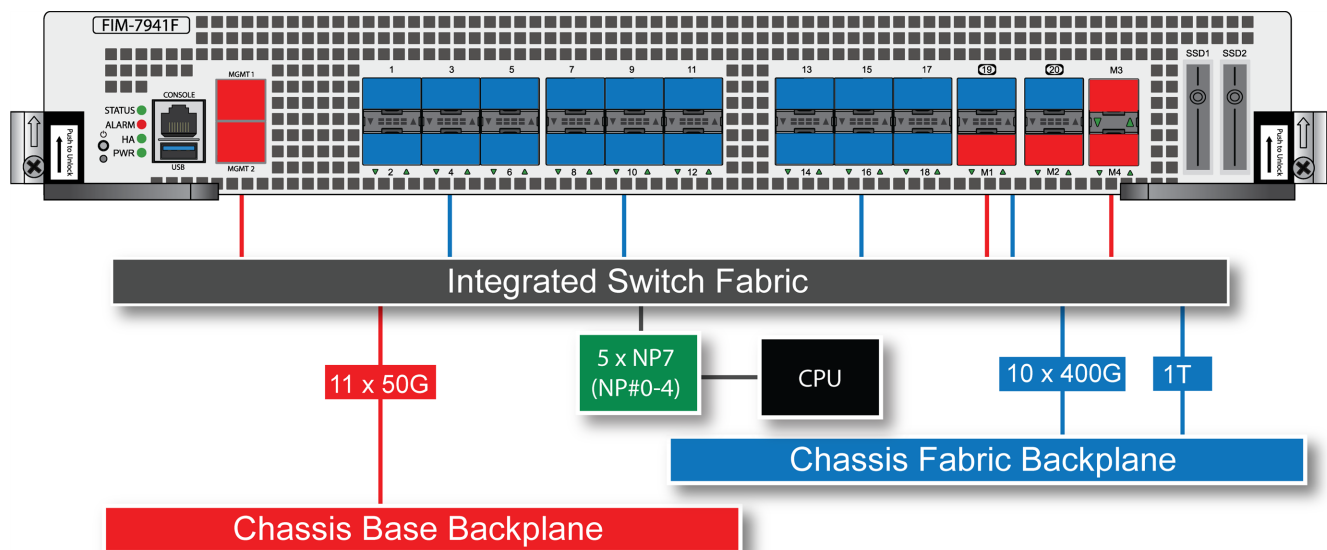
FIM-7941F hardware architecture

The FIM-7941F includes an integrated switch fabric (ISF) that connects the front panel interfaces and the chassis fabric backplane to the NP7 processors. The NP7 processors receive sessions from the FIM front panel data interfaces and the FPM front panel data interfaces over the fabric backplane. The NP7 processors use SLBC to distribute sessions to FPMs over the fabric backplane.

The FIM-7941F also includes the following backplane communication channels:

- Ten 400Gbps fabric backplane channel to distribute traffic to the FPMs.
- Ten 50Gbps base backplane channel for base backplane communication with the FPMs.
- One 1Tbps fabric backplane channel for fabric backplane communication with the other FIM.
- One 50Gbps base backplane channel for base backplane communication with the other FIM.

FIM-7941F hardware architecture



FIM-7941F NP7 processors

Since FIM NP7 processors are used for SLBC load balancing:

- They are not used for host protection engine (HPE) DoS protection. HPE is applied by the NP7 processors in the FPMs. For information about HPE, see [NP7 Host Protection Engine \(HPE\)](#).
- You can't configure NP7 groups for FIM NP7 processors. NP7 groups can be configured for the NP7 processors in FPMs.
- The output of the `diagnose npu np7 port-list` command shows that FIM NP7 processors are connected to all FIM-7941F interfaces and shows the maximum and default speeds of the interfaces. Sample output from the FIM CLI:

```
diagnose npu np7 port-list
Front Panel Port:
Name      Max_speed(Mbps)  Dflt_speed(Mbps)  NP_group      Switch_id  SW_port_id  SW_port_name
-----
```

1-P1	100000	100000	n/a	0	7	ce27
1-P1-2	25000	25000	n/a	0	8	
1-P1-3	25000	25000	n/a	0	9	
1-P1-4	25000	25000	n/a	0	10	
1-P2	100000	100000	n/a	0	15	ce31
.						
.						
.						

FIM-7921F interface module

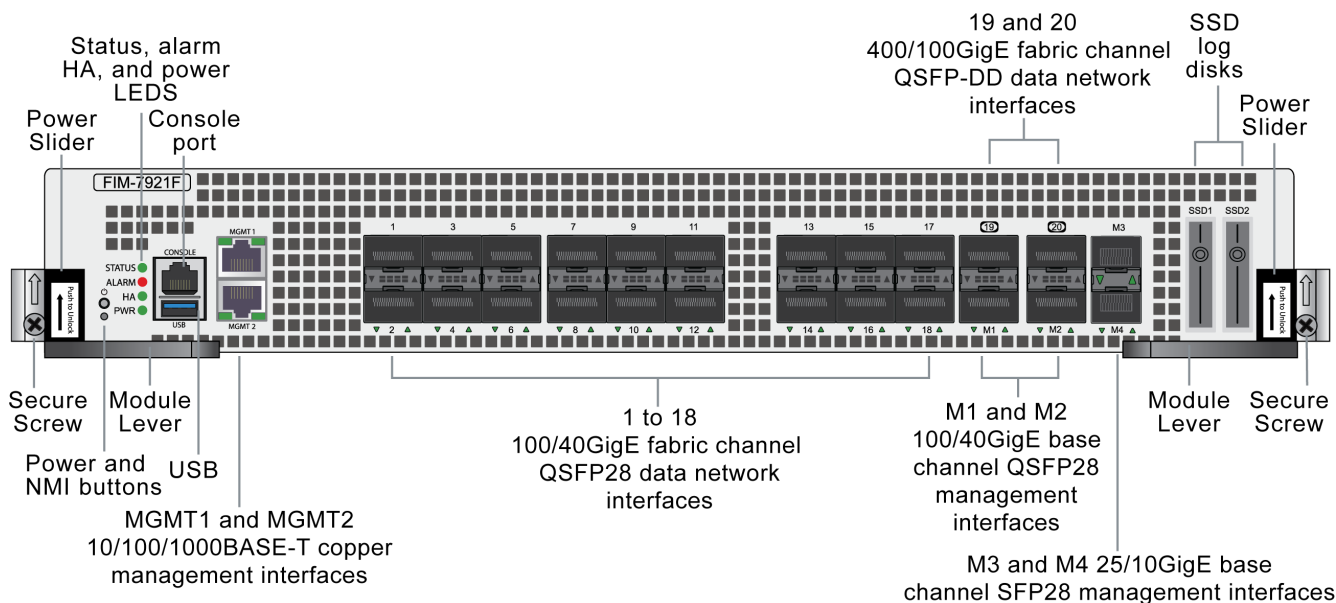
The FIM-7921F interface module is a hot swappable module that provides data, management, and session sync/heartbeat interfaces, base backplane switching, hardware acceleration, and fabric backplane session-aware load balancing for a FortiGate 7000F series chassis. The FIM-7921F includes an integrated switch fabric, five NP7 processors to load balance millions of data sessions over the FortiGate 7000F 400Gbps fabric backplane channel to FPM processor modules. The FIM-7921F also includes a 50Gbps base backplane channel for base backplane management communication with each FPM in the chassis, one 1Tbps fabric backplane channel for fabric backplane communication with the other FIM in the chassis, and a second 50Gbps base backplane channel for base backplane communication with the other FIM in the chassis. The FIM-7921F also includes two 4TByte SSD log disks in a RAID-1 configuration. The SSDs are accessible from the FIM-7921F front panel but should not be removed.

The FIM-7921F can be installed in any FortiGate 7000F series chassis in chassis hub/switch slots 1 or 2. The FIM-7921F includes eighteen front panel 100GigE QSFP28 fabric channel data network interfaces (1 to 18) and two 400GigE QSFP-DD fabric channel data network interfaces (19 and 20). Interfaces 1 to 18 can be connected to 100Gbps data networks. Interfaces 19 and 20 can be connected to 400Gbps data networks. You can also change the interface type of interfaces 19 and 20 and change the speeds of all of the data interfaces. You can also split interfaces 1 to 8, 19, and 20.

The FIM-7921F also includes two 100 GigE QSFP28 base channel management interfaces (M1 and M2) and two 25 GigE SPF28 base channel management interfaces (M3 and M4). The management interfaces can be used for HA heartbeat communication and session synchronization between two chassis in HA mode or for other management functions such as remote logging. You can also change the speeds of the management interfaces. You can also split the M1 and M2 interfaces.

The FIM-7921F includes a console port to provide console access to the FIM-7921F CLI.

FIM-7921F front panel



Front panel interfaces

You connect the FIM-7921F to your 100Gbps data networks using the 1 to 18 front panel QSFP28 interfaces. You can also connect the FIM-7921F to your 400Gbps data networks using the 19 and 20 front panel QSFP-DD interfaces. You can create link aggregation groups that can include data interfaces from multiple FIMs and FPMs in the same chassis.

The front panel also includes M1 and M2 QSFP28, M3 and M4 SFP28 interfaces that connect to the base channel, two Ethernet management interfaces (MGMT1 and MGMT2), and a USB port. The USB port can be used with any USB key for backing up and restoring configuration files and installing and restoring firmware.

Connector	Type	Speed	Protocol	Description
1 to 18	QSFP28	100Gbps 40Gbps 4 x 25Gbps (split) 4 x 10Gbps (split)	Ethernet	Eighteen front panel 100GigE QSFP28 fabric channel data interfaces that can be connected to 100Gbps data networks to distribute sessions to the FPMs in chassis slots 3 and up. The speed of these interfaces can be changed to 40Gbps. Interfaces 3 to 8 can be split into four interfaces. Each split interface can operate at 25Gbps or 10Gbps.

Connector	Type	Speed	Protocol	Description
19 and 20	QSFP-DD	400Gbps 100Gbps 40Gbps 4 x 100Gbps (split) 4 x 25Gbps (split) 4 x 10Gbps (split)	Ethernet	Two front panel 400GigE QSFP-DD fabric channel data interfaces that can be connected to 400Gbps data networks to distribute sessions to the FPMs in chassis slots 3 and up. These interfaces can be changed to 100GigE QSFP28 interfaces and the speed changed to 40Gbps. These Interfaces can be split into four interfaces. Each split interface can operate at 100Gbps, 25Gbps, or 10Gbps.
M1 and M2	QSFP28	100Gbps 40Gbps 4 x 25Gbps (split) 4 x 10Gbps (split)	Ethernet	Two front panel 100GigE QSFP28 base channel management interfaces. These interfaces are used for HA heartbeat, and session synchronization between FIM-7921Fs in different chassis. These interfaces can also be used for management communication (for example, for remote logging). The speed of these interfaces can be changed to 40Gbps. These interfaces can be split into four interfaces. Each split interface can operate at 25Gbps or 10Gbps.
M3 and M4	SFP28	25Gbps 10Gbps	Ethernet	Two front panel 25GigE SFP28 base channel management interfaces. These interfaces are used for HA heartbeat, and session synchronization between FIM-7921Fs in different chassis. These interfaces can also be used for management communication (for example, for remote logging). The speed of these interfaces can be changed to 10Gbps.
MGMT1 and MGMT2	RJ-45	10Mbps 100Mbps 1000Mbps	Ethernet	Two 10/100/1000BASE-T copper out of band management ethernet interfaces.
USB	USB 3.0 Type A		USB 3.0 USB 2.0	Standard USB connector.
Console	RJ-45	9600 bps 8/N/1	RS-232 serial	Serial connection to the FIM-7921F CLI.

Changing the FIM-7921F 1 to 8, M1, and M2 interfaces

By default, the FIM-7921F 1 to 8 (P1 to P8), M1, and M2 interfaces are configured as 100GigE QSFP28 interfaces. You can make the following changes to these interfaces:

- Change the interface speed to 40G using the `config system interface` command.
- Split one or more of the 3 to 8 (P3 to P8), M1, and M2 interfaces into four 25GigE interfaces.
- Change the interface speed of one or more of the split interfaces to 10Gig.



You should configure split interfaces on both FortiGate 7000Fs before forming an FGCP HA cluster. If you decide to change the split interface configuration after forming a cluster, you need to remove the secondary FortiGate 7000F from the cluster and change the split interface configuration on both FortiGate 7000Fs separately. After the FortiGate 7000Fs restart, you can re-form the cluster. This process will cause traffic interruptions.

You can use the following command to split the P3 interface of the FIM-7921F in slot 1 and the P8 and M1 interfaces of the FIM-7921F in slot 2:

```
config system global
  set split-port 1-P3 2-P8 2-M1
end
```

The FortiGate 7000F reboots and when it starts up:

- Interface 1-P3 has been replaced by four 25GigE CR2 interfaces named 1-P3/1 to 1-P3/4.
- Interface 2-P8 has been replaced by four 25GigE CR2 interfaces named 2-P8/1 to 2-P8/4.
- Interface 2-M1 has been replaced by four 25GigE CR2 interfaces named 2-M1/1 to 2-M1/4.

You can use the `config system interface` command to change the speeds of each of the split interfaces. You can change the speed of some or all of the individual split interfaces depending on whether the transceiver installed in the interface slot supports different speeds for the split interfaces.

For example, to change the speed of the 2-P8/3 interface to 10Gig:

```
config system interface
  edit 2-P8/3
    set speed 10000full
  end
```

Changing the FIM-7921F 19 and 20 interfaces

By default, the FIM-7921F 19 and 20 (P19 and P20) interfaces are configured as 400GigE QSFP-DD interfaces. You can make the following changes to one or both of interfaces:

- Change the interface speed to 400G, 100G, or 40G using the `config system interface` command.
- Split the interface into four 100GigE CR2 interfaces.
- Split the interface into four 25GigE CR or 10GigE SR interfaces.

All of these operations, except changing the interface speed using the `config system interface` command, require a system restart. Fortinet recommends that you perform these operations during a maintenance window and plan the changes to avoid traffic disruption.



You should change interface types or split interfaces on both FortiGate 7000Fs before forming an FGCP HA cluster. If you decide to change interface type or split interfaces after forming a cluster, you need to remove the secondary FortiGate 7000F from the cluster and change interfaces as required on both FortiGate 7000Fs separately. After the FortiGate 7000Fs restart, you can re-form the cluster. This process will cause traffic interruptions.

Splitting the P19 or P20 interfaces into four 100GigE CR2 interfaces

You can use the following command to split the P19 or P20 interfaces into four 100GigE CR2 interfaces. To split P19 of the FIM-7921F in slot 1 (1-P19) and P20 of the FIM-7921F in slot 2 (2-P20) enter the following command:

```
config system global
  set split-port 1-P19 2-P20
end
```

The FortiGate 7000F reboots and when it starts up:

- Interface 1-P19 has been replaced by four 100GigE CR2 interfaces named 1-P19/1 to 1-P19/4.
- Interface 2-P20 has been replaced by four 100GigE CR2 interfaces named 2-P20/1 to 2-P20/4.

Splitting the P19 or P20 interfaces into four 25GigE CR or 10GigE SR interfaces

You can use the following command to split the P19 or P20 interfaces into four 25GigE CR interfaces. The following command converts the interface into a 100GigE QSFP28 interface then splits this interface into four 25 GigE CR interfaces. To change P19 of the FIM-7921F in slot 1 (1-P19) and P20 of the FIM-7921F in slot 2 (2-P20) enter the following command:

```
config system global
  set qsfppdd-100g-port 1-P19 2-P20
  set split-port 1-P19 2-P20
end
```

The FortiGate 7000F reboots and when it starts up:

- Interface 1-P19 has been replaced by four 25GigE CR interfaces named 1-P19/1 to 1-P19/4.
- Interface 2-P20 has been replaced by four 25GigE CR interfaces named 2-P20/1 to 2-P20/4.

If you want some or all of these interfaces to operate as 10GigE SR interfaces you can use the `config system interface` command to change the interface speed. You can change the speed of some or all of the individual split interfaces depending on whether the transceiver installed in the interface slot supports different speeds for the split interfaces.

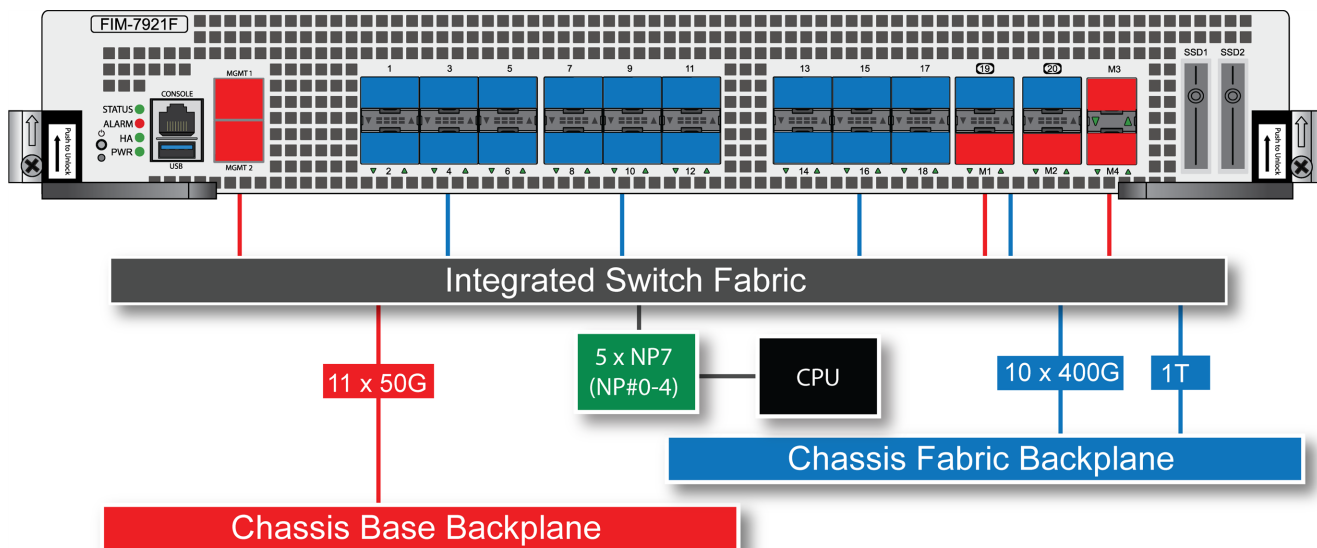
FIM-7921F hardware architecture

The FIM-7921F includes an integrated switch fabric (ISF) that connects the front panel interfaces and the chassis fabric backplane to the NP7 processors. The NP7 processors receive sessions from the FIM front panel data interfaces and the FPM front panel data interfaces over the fabric backplane. The NP7 processors use SLBC to distribute sessions to FPMs over the fabric backplane.

The FIM-7921F also includes the following backplane communication channels:

- Ten 400Gbps fabric backplane channel to distribute traffic to the FPMs.
- Ten 50Gbps base backplane channel for base backplane communication with the FPMs.
- One 1Tbps fabric backplane channel for fabric backplane communication with the other FIM.
- One 50Gbps base backplane channel for base backplane communication with the other FIM.

FIM-7921F hardware architecture



FIM-7921F NP7 processors

Since FIM NP7 processors are used for SLBC load balancing:

- They are not used for host protection engine (HPE) DoS protection. HPE is applied by the NP7 processors in the FPMs. For information about HPE, see [NP7 Host Protection Engine \(HPE\)](#).
- You can't configure NP7 groups for FIM NP7 processors. NP7 groups can be configured for the NP7 processors in FPMs.
- The output of the `diagnose npu np7 port-list` command shows that FIM NP7 processors are connected to all FIM-7921F interfaces and shows the maximum and default speeds of the interfaces. Sample output from the FIM CLI:

```
diagnose npu np7 port-list
Front Panel Port:
Name      Max_speed(Mbps)  Dflt_speed(Mbps)  NP_group      Switch_id  SW_port_id  SW_port_name
-----
1-P1      100000           100000            n/a           0          7           ce27
1-P1-2    25000            25000             n/a           0          8           ce28
1-P1-3    25000            25000             n/a           0          9           ce29
1-P1-4    25000            25000             n/a           0          10          ce30
1-P2      100000           100000            n/a           0          15          ce31
.
.
.
```

FPM-7620F processing module

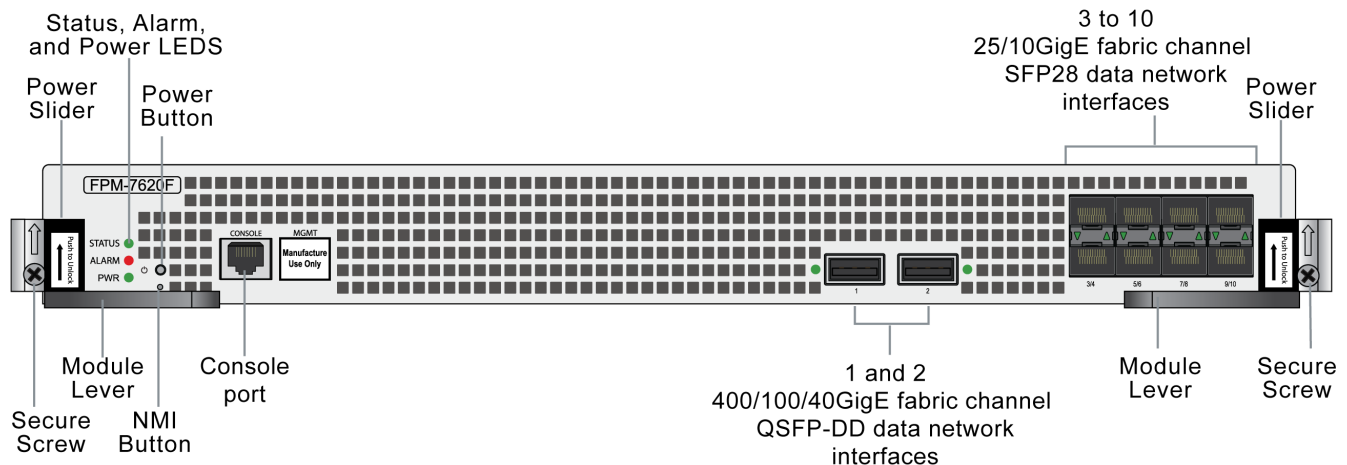
The FPM-7620F processor module is a high-performance worker module that processes sessions load balanced to it by FIMs over the chassis fabric backplane. The FPM-7620F includes two 400Gbps data connections to the FIMs over the chassis fabric backplane and two 50Gbps management connections to the FIMs over base backplane. FPM-7620Fs are installed in chassis slots 3 and up.

The FPM-7620F also includes two front panel 400GigE QSFP-DD fabric channel data interfaces (1 and 2) and eight 10/25GigE SFP28 fabric channel data interfaces (3 to 10). Interfaces 1 and 2 can be connected to 400Gbps data networks. Interfaces 3 to 10 can be connected to 25Gbps data networks. You can also change the speeds of the front panel data interfaces.

FPM fabric channel data interfaces increase the number of data interfaces supported by FortiGate 7000F. Data traffic received by these interfaces is sent over the fabric backplane to the FIM NP7 processors to be load balanced back to the FPMs.

The FPM-7620F processes sessions using a dual CPU configuration, accelerates network traffic processing with two NP7 processors and accelerates content processing with eight CP9 processors. The NP7 network processors are connected by the FIM switch fabric so all supported traffic types can be fast path accelerated by the NP7 processors.

FPM-7620F front panel



FPM-7620F front panel interfaces

You can connect the FPM-7620F to your networks using the front panel fabric channel data interfaces described in the following table. You can create link aggregation groups (LAGs) that can include data interfaces from multiple FIMs and FPMs in the same chassis.

Connector	Type	Speed	Protocol	Description
1 and 2	QSFP-DD	400Gbps 100Gbps 40Gbps	Ethernet	Two front panel 400GigE QSFP-DD fabric channel data interfaces can be connected to 400Gbps data networks to distribute sessions to

Connector	Type	Speed	Protocol	Description
		4 x 100Gbps (split) 4 x 25Gbps (split) 4 x 10Gbps (split)		the FPMs in chassis slots 3 and up. These interfaces can also operate as 100GigE QSFP28 or 40GigE QSFP+ interfaces. If the FortiGate 7000F includes two FIM-7941Fs, these interfaces can be split into four interfaces that can operate at 100Gbps, 25Gbps, or 10Gbps.
3 to 10	SFP28	25Gbps 10Gbps	Ethernet	Eight front panel 25GigE SFP28 fabric channel data interfaces that can be connected to 25Gbps data networks to distribute sessions to the FPMs in chassis slots 3 and up. These interfaces can also operate as 10GigE SFP+ interfaces.

Changing the FPM-7620F 1 and 2 (P1 and P2) interfaces

You can change the speed of the 1 and 2 (P1 and P2) interfaces to 400G, 100G, or 40G using the `config system interface` command.

When the FPM-7620F is installed in a FortiGate 7000F with two FIM-7941Fs, you can also make the following changes:

- Split the interface into four 100GigE CR2 interfaces.
- Split the interface into four 25GigE CR or 10GigE SR interfaces.

All of these operations, except changing the interface speed using the `config system interface` command, require a system restart. Fortinet recommends that you perform these operations during a maintenance window and plan the changes to avoid traffic disruption.



You should change interface types or split interfaces on both FortiGate 7000Fs before forming an FGCP HA cluster. If you decide to change interface type or split interfaces after forming a cluster, you need to remove the secondary FortiGate 7000F from the cluster and change interfaces as required on both FortiGate 7000Fs separately. After the FortiGate 7000Fs restart, you can re-form the cluster. This process will cause traffic interruptions.

Splitting the P1 or P2 interfaces into four 100GigE CR2 interfaces

When the FPM-7620F is installed in a FortiGate 7000F with two FIM-7941Fs, you can use the following command to split the P1 or P2 interfaces into four 100GigE CR2 interfaces. To split P1 of the FPM-7620F in slot 6 (6-P1) and P2 of the FPM-7620F in slot 7 (7-P2) enter the following command:

```
config system global
  set split-port 6-P1 7-P2
end
```

The FortiGate 7000F reboots and when it starts up:

- Interface 6-P1 has been replaced by four 100GigE CR2 interfaces named 6-P1/1 to 6-P1/4.
- Interface 7-P2 has been replaced by four 100GigE CR2 interfaces named 7-P2/1 to 7-P2/4.

Splitting the P1 or P2 interfaces into four 25GigE CR or 10GigE SR interfaces

When the FPM-7620F is installed in a FortiGate 7000F with two FIM-7941Fs, you can use the following command to split the P1 or P2 interfaces into four 25GigE CR interfaces. The following command converts the interface into a 100GigE QSFP28 interface then splits this interface into four 25 GigE CR interfaces. To split P1 of the FPM-7620F in slot 8 (8-P1) and P2 of the FPM-7620F in slot 9 (9-P2) enter the following command:

```
config system global
  set qsfdd-100g-port 8-P1 9-P2
  set split-port 8-P1 9-P2
end
```

The FortiGate 7000F reboots and when it starts up:

- Interface 8-P1 has been replaced by four 25GigE CR interfaces named 8-P1/1 to 8-P1/4.
- Interface 9-P2 has been replaced by four 25GigE CR interfaces named 9-P2/1 to 9-P2/4.

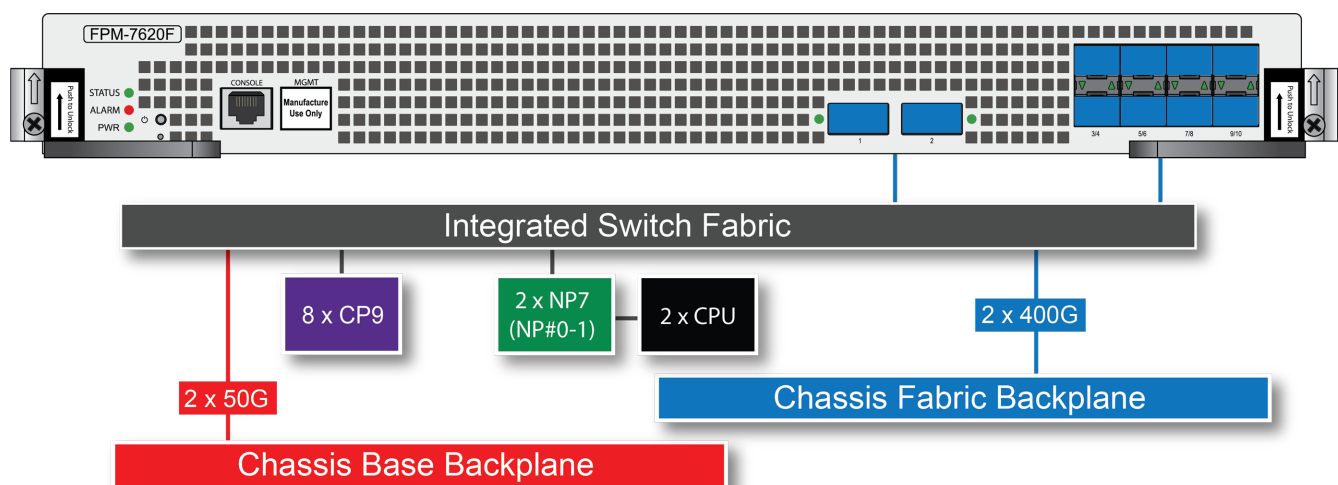
If you want some or all of these interfaces to operate as 10GigE SR interfaces you can use the `config system interface` command to change the interface speed. You can change the speed of some or all of the individual split interfaces depending on whether the transceiver installed in the interface slot supports different speeds for the split interfaces.

FPM-7620F hardware schematic

The two FPM-7620F NP7 network processors provide hardware acceleration by offloading data traffic from the FPM-7620F CPUs. The result is enhanced network performance provided by the NP7 processors plus the network processing load is removed from the CPU. The NP7 processor can also handle some CPU intensive tasks, like IPsec VPN encryption/decryption. Because of the integrated switch fabric, all sessions are fast-pathed and accelerated.

Traffic from FPM-7620F front panel data interfaces is sent over the fabric channel backplane to the FIMs where NP7 processors use SLBC to distribute sessions to individual FPMs. The FPM-7620F can process traffic received from FIM data interfaces and from FPM data interfaces.

FPM-7620F hardware architecture



FPM-7620F and HPE

FortiGate 7000F HPE protection is applied by the FPM NP7 processors. For information about HPE, see [NP7 Host Protection Engine \(HPE\)](#).

You can use the following formula to calculate the total number of packets per second allowed by a FortiGate 7081F or FortiGate 7121F for a configured HPE threshold.

packets per second = number of NP7 processors x host queues x HPE threshold



The FortiGate 7081F and the FortiGate 7121F both have 64 host queues.

For a FortiGate 7081F or FortiGate 7121F with four FPMs (eight NP7 processors) with the following HPE configuration:

```
config hpe
  set all-protocol 0
  set udp-max 1000
  set enable-shaper enable
end
```

packets per second = 8 x 64 x 1000 = 32000pps

Configuring NPU port mapping

When you configure FortiGate 7081F or FortiGate 7121F port mapping, each FPM-7620F will have the same port mapping configuration, based on two NP7 processors.

The default FPM-7620F port mapping configuration results in sessions passing from the chassis fabric backplane to the integrated switch fabric. The integrated switch fabric distributes these sessions among the NP7 processors. Each NP7 processor is connected to the switch fabric with a LAG that consists of two 100-Gigabit interfaces. The integrated switch fabric distributes sessions to the LAGs and each LAG distributes sessions between the two interfaces connected to the NP7 processor.

You can use NPU port mapping to override how data network interface sessions are distributed to each NP7 processor. For example, you can set up NPU port mapping to send all traffic from a front panel data interface to a specific NP7 processor LAG or even to just one of the interfaces in that LAG.

Use the following command to configure NPU port mapping:

```
config system npu
  config port-npu-map
    edit <interface-name>
      set npu-group-index <index>
    end
```

<interface-name> the name of a front panel data interface.

<index> select different values of <index> to change how sessions from the selected front panel data interface are handled by the integrated switch fabric. The list of available <index> options depends on the NP7 configuration of your FortiGate. For the FPM-7620F <index> can be:

- 0: NP#0-1, distribute sessions from the front panel data interface among all three NP7 LAGs.
- 1: NP#0, send sessions from the front panel data interface to the LAG connected to NP#0.

- 2: NP#1, send sessions from the front panel data interface to the LAG connected to NP#1.
- 3: NP#0-link0, send sessions from the front panel data interface to np0_0, which is one of the interfaces connected to NP#0.
- 4: NP#0-link1, send sessions from the front panel data interface to np0_0, which is one of the interfaces connected to NP#0.
- 5: NP#1-link0, send sessions from the front panel data interface to np1_0, which is one of the interfaces connected to NP#1.
- 6: NP#1-link1, send sessions from the front panel data interface to np1_1, which is one of the interfaces connected to NP#1.

For example, use the following syntax to assign the FIM 1-P1 and 1-P2 interfaces to NP#0 and 2-P1 and 2-P2 interfaces to NP#1:

```
config system npu
  config port-npu-map
    edit 1-P1
      set npu-group-index 1
    next
    edit 1-P2
      set npu-group-index 1
    next
    edit 2-P1
      set npu-group-index 2
    next
    edit 2-P2
      set npu-group-index 2
    end
  end
```

You can use the `diagnose npu np7 port-list` command to see the current NPU port map configuration. While the FPM-7620F is processing traffic, you can use the `diagnose npu np7 cgmact-stats <npu-id>` command to show how traffic is distributed to the NP7 links.

For example, after making the changes described in the example, the `NP_group` column of the `diagnose npu np7 port-list` command output shows the new mapping:

```
diagnose npu np7 port-list
Front Panel Port:
.
.
.
1-P1      100000      100000      NP#0      0      35
1-P2      100000      100000      NP#0      0      34
2-P1      100000      100000      NP#1      0      33
2-P2      100000      100000      NP#1      0      32
.
.
.
```

Getting started with FortiGate 7000F

Begin by installing your FortiGate 7000F chassis in a rack and installing FIMs and FPMs in it. Then you can power on the chassis and all modules in the chassis will power up.

Whenever a chassis is first powered on, it takes about 5 minutes for all modules to start up and become completely initialized and synchronized. During this time the FortiGate 7000F will not allow traffic to pass through and you may not be able to log into the GUI or CLI. If you manage to log in, the session could time out as the FortiGate 7000F continues starting up.

Review the PSU, fan tray, System Management Module (SMM), FIM, and FPM LEDs to verify that everything is operating normally. Wait until the chassis has completely started up and synchronized before making configuration changes.

When the chassis has initialized, you have a few options for connecting to the FortiGate 7000F GUI or CLI:

- Log in to the GUI by connecting the MGMT1 interface of the FIM in slot 1 to your network. Then browse to <https://192.168.1.99>.
- Log in to the CLI by connecting the MGMT1 interface of the FIM in slot 1 to your network. Then use an SSH client to connect to 192.168.1.99.
- Log in to the primary FIM CLI by connecting to the RJ-45 RS-232 Console 1 serial port on the System Management Module (SMM) with settings: BPS: 9600, data bits: 8, parity: none, stop bits: 1, flow control: none.
- Log in to the primary FIM CLI by connecting to the RJ-45 RS-232 Console serial port on the FIM in slot 1 with settings: BPS: 9600, data bits: 8, parity: none, stop bits: 1, flow control: none.

The FortiGate 7000F ships with the following factory default configuration.

Option	Default Configuration
Administrator Account User Name	admin
Password	(none) For security reasons you should add a password to the admin account before connecting the FortiGate 7000F to your network. From the GUI, access the Global GUI and go to System > Administrators , edit the admin account, and select Change Password . From the CLI: <pre>config global config system admin edit admin set password <new-password> end</pre>
FIM in slot 1	MGMT1: FIM01, 1-mgmt1, default IP address 192.168.1.99/24
FIM in slot 2	MGMT2: FIM02, 2-mgmt1, default IP address 192.168.2.99/24
If you choose to only install one FIM, it should be installed in slot 1.	MGMT1: FIM01, 1-mgmt1, default IP address 192.168.1.99/24

All configuration changes must be made from the primary FIM GUI or CLI and not from the secondary FIM or the FPMs.

Configuring the SLBC management interface

To be able to use FortiGate 7000F special SLBC management interface features, such as being able to log into any FIM or FPM using the management interface IP address and a special port number, you need to use the following command to select a FortiGate 7000F management interface to be the SLBC management interface.

You can use any of the FIM or FPM management interfaces to be the SLBC management interface. The following example uses the MGMT 1 interface of the FIM in slot 1. In the GUI and CLI the name of this interface is 1-mgmt1.

Enter the following command to set the 1-mgmt1 interface to be the SLBC management interface:

```
config global
  config load-balance setting
    set slbc-mgmt-intf 1-mgmt1
  end
```

To manage individual FIMs or FPMs using special management ports, the SLBC management interface must be connected to a network.



The `slbc-mgmt-intf` option is set to `1-mgmt1` by default (but this setting may not be visible in the default configuration). If you decide to use a different management interface, you must also change the `slbc-mgmt-intf` to that interface.

Confirming startup status

Before verifying normal operation and making configuration changes and so on you should wait until the FortiGate 7000F is completely started up and synchronized. This can take a few minutes.

To confirm that the FortiGate 7000F is synchronized, you can refer to the Cluster Status dashboard widget. If the system is synchronized, all the FIMs and FPMs should be visible, and their **Configuration Status** should be **In Sync**. The Cluster Status dashboard widget also indicates if any of the FIMs or FPMs are not synchronized.

Serial	Configuration Status	Role	Type	Slot ID	Sessions	Memory
FIM10E3E16000039	✔ In Sync	Primary	Management	1	83 <div style="width: 83%;"></div>	4% <div style="width: 4%;"></div>
FIM20E3E17000082	✔ In Sync	Secondary	Management	2	30 <div style="width: 30%;"></div>	10% <div style="width: 10%;"></div>
FPM20E3E16800068	✔ In Sync	Secondary	Dataplane	6	23 <div style="width: 23%;"></div>	11% <div style="width: 11%;"></div>
FPM20E3E17900026	✔ In Sync	Secondary	Dataplane	4	22 <div style="width: 22%;"></div>	11% <div style="width: 11%;"></div>
FPM20E3E17900152	✔ In Sync	Secondary	Dataplane	5	22 <div style="width: 22%;"></div>	10% <div style="width: 10%;"></div>
FPM20E3E17900282	✔ In Sync	Secondary	Dataplane	3	22 <div style="width: 22%;"></div>	11% <div style="width: 11%;"></div>



The FortiGate 7000F uses the Fortinet Security Fabric for communication and synchronization between the FIMs and the FPMs and for normal GUI operation. By default, the Security Fabric is enabled and must remain enabled for normal operation.

You can also view the **Sensor Information** dashboard widget to confirm that system temperatures are normal and that all power supplies and fans are operating normally.

From the CLI you can use the `diagnose sys confsync status | grep in_sy` command to view the synchronization status of the FIMs and FPMs. If all of the FIMs and FPMs are synchronized, each output line should include `in_sync=1`. If a line ends with `in_sync=0`, that FIM or FPM is not synchronized. The following example just shows a few output lines:

```
diagnose sys confsync status | grep in_sy
FIM21FTB21000063, Secondary, uptime=79898.73, priority=2, slot_id=1:2, idx=0, flag=0x0, in_sync=1
FIM21FTB21000068, Primary, uptime=79887.77, priority=1, slot_id=1:1, idx=1, flag=0x0, in_sync=1
FPM20FTB21900165, Secondary, uptime=7252.99, priority=17, slot_id=1:4, idx=2, flag=0x64, in_sync=1
FPM20FTB21900186, Secondary, uptime=79751.32, priority=16, slot_id=1:3, idx=3, flag=0x64, in_sync=1
FPM20FTB21900186, Secondary, uptime=79751.32, priority=16, slot_id=1:3, idx=2, flag=0x4, in_sync=1
FIM21FTB21000063, Secondary, uptime=79898.93, priority=2, slot_id=1:2, idx=0, flag=0x0, in_sync=1
FIM21FTB21000068, Primary, uptime=79887.77, priority=1, slot_id=1:1, idx=1, flag=0x0, in_sync=1
FPM20FTB21900165, Secondary, uptime=7252.99, priority=17, slot_id=1:4, idx=2, flag=0x4, in_sync=1
FIM21FTB21000063, Secondary, uptime=79898.93, priority=2, slot_id=1:2, idx=0, flag=0x0, in_sync=1
FIM21FTB21000068, Primary, uptime=79887.77, priority=1, slot_id=1:1, idx=1, flag=0x0, in_sync=1
...
```

FortiGate 7000F and the Security Fabric

The FortiGate 7000F supports the Fortinet Security Fabric and all Security Fabric related features. You can set up the FortiGate 7000F to serve as the Security Fabric root and you can configure the FortiGate 7000F to join an existing Security Fabric. For more information see [Fortinet Security Fabric](#).

The FortiGate 7000F uses the Fortinet Security Fabric for communication and synchronization between the FIMs and the FPMs and for normal GUI operation. By default, the Security Fabric is enabled and must remain enabled for normal operation.

When adding a FortiGate 7000F to an existing security fabric, for normal operation you must authorize the FortiGate 7000F and all of the FIMs and FPMs on the root FortiGate. Otherwise, the primary FIM will not be able to communicate with the other FIM and the FPMs.

You must also manually add a FortiAnalyzer to the FortiGate 7000F configuration, because the default FortiGate 7000F Security Fabric configuration has `configuration-sync` set to `local`, so the FortiGate 7000F doesn't get security fabric configuration settings, such as the FortiAnalyzer configuration, from the root FortiGate.

If the FortiGate 7000F is not joining a Security Fabric, Fortinet recommends that you do not change the Security Fabric configuration. You can verify the default Security Fabric configuration from the CLI:

```
config system csf
  set status enable
  set upstream 0.0.0.0
  set upstream-port 8013
  set group-name "SLBC"
  set group-password <password>
  set accept-auth-by-cert enable
  set log-unification disable
  set authorization-request-type serial
  set fabric-workers 2
  set downstream-access disable
  set configuration-sync local
  set fabric-object-unification default
```

```
set forticloud-account-enforcement enable
end
```

FortiGate 7000F and FortiOS Carrier

To run FortiOS Carrier for FortiGate 7000F you must purchase a FortiOS Carrier license from Fortinet. A single FortiOS Carrier license is required for a FortiGate 7000F chassis. You apply the FortiOS Carrier license from the primary FIM CLI and the license is copied to the secondary FIM and to the FPMs.

Once you have a license key, you should upgrade your FortiGate 7000F chassis to the FortiOS software version that you want to be running and then use the following command from the primary FIM CLI to license your chassis for FortiOS Carrier:

```
execute forticarrier-license <license-key>
```

The FortiGate 7000F restarts and is set to the FortiOS Carrier factory default configuration. You can configure and operate a FortiGate 7000F running FortiOS Carrier just like a normal FortiGate 7000F. For example, you can upgrade the firmware by downloading and installing a new FortiOS firmware version or through FortiGuard. You do not have to re-license your FortiGate for FortiOS Carrier after installing new FortiOS firmware.

For more information about FortiOS Carrier, see the [FortiOS Carrier Administration Guide](#).

For more information in this guide about FortiOS Carrier, see:

- [GTP load balancing on page 54](#).
- [PFCP load balancing on page 57](#).
- [FortiGate 7000F FortiOS Carrier GTP with FGSP support on page 100](#).

Configuration synchronization

When you log into the FortiGate 7000F GUI or CLI by connecting to the IP address of the management interface, or through a console connection, you are logging into the FIM in slot 1. The FIM in slot 1 is the FortiGate 7000F config-sync primary. All configuration changes must be made from the GUI or CLI of the FIM in slot 1. The FIM in slot 1 synchronizes configuration changes to the other FIM and the FPMs and makes sure they remain synchronized with the FIM in slot 1.

If the FIM in slot 1 fails or reboots, the FIM in slot 2 becomes the config-sync primary.

For the FortiGate 7000F to operate normally, the configurations of the FIMs and FPMs must be synchronized. You can use the information in the following sections to make sure that these configurations are synchronized

Confirming that the FortiGate 7000F is synchronized

You can use the following command to confirm that the configurations of the FIMs and FPMs are synchronized:

```
diagnose sys confsync status
```

The command shows the HA and configuration synchronization (confsync) status of the FIMs and FPMs. For each FIM and FPM, `in_sync=1` means the component is synchronized and can operate normally. If any component is out of

sync, the command output will include `in_sync=0`. All components must be synchronized for the FortiGate 7000F to operate normally.



To confirm the configuration synchronization status of an HA cluster, see [Confirming that the FortiGate 7000F HA cluster is synchronized on page 78](#).

FIM confsync status

The `diagnose sys confsync status` command output usually begins with the confsync status of the FIM in slot 2 and ends with the confsync status of the primary FIM (usually the FIM in slot 1). For each of the FIMs, the command output shows the configuration synchronization status with the other FIM and with each of the FPMs. The following example shows the configuration synchronization status of the FIM in slot 1, which is operating as the primary FIM:

```
Current slot: 1 Module SN: FIM21FTB21000068
ELBC: svcgrp_id=1, chassis=1, slot_id=1

zone: self_idx:1, primary_idx:1, ha_primary_idx:255, members:12
FIM21FTB21000068, Primary, uptime=52293.10, priority=1, slot_id=1:1, idx=1, flag=0x0, in_sync=1
FIM21FTB21000063, Secondary, uptime=52290.07, priority=2, slot_id=1:2, idx=0, flag=0x0, in_sync=1
  b-chassis: state=3 (connected), ip=169.254.2.16, last_hb_time=52539.80, hb_nr=261346
FPM20FTB21900165, Secondary, uptime=52141.10, priority=17, slot_id=1:4, idx=2, flag=0x64, in_sync=1
  b-chassis: state=3 (connected), ip=169.254.2.4, last_hb_time=52539.82, hb_nr=260625
FPM20FTB21900168, Secondary, uptime=52119.65, priority=24, slot_id=1:11, idx=3, flag=0x64, in_sync=1
  b-chassis: state=3 (connected), ip=169.254.2.11, last_hb_time=52539.83, hb_nr=260530
FPM20FTB21900170, Secondary, uptime=52122.62, priority=18, slot_id=1:5, idx=4, flag=0x64, in_sync=1
  b-chassis: state=3 (connected), ip=169.254.2.5, last_hb_time=52539.70, hb_nr=260530
FPM20FTB21900179, Secondary, uptime=52140.06, priority=19, slot_id=1:6, idx=5, flag=0x64, in_sync=1
  b-chassis: state=3 (connected), ip=169.254.2.6, last_hb_time=52539.79, hb_nr=260630
FPM20FTB21900182, Secondary, uptime=52128.14, priority=25, slot_id=1:12, idx=6, flag=0x64, in_sync=1
  b-chassis: state=3 (connected), ip=169.254.2.12, last_hb_time=52539.72, hb_nr=260569
FPM20FTB21900186, Secondary, uptime=52134.23, priority=16, slot_id=1:3, idx=7, flag=0x64, in_sync=1
  b-chassis: state=3 (connected), ip=169.254.2.3, last_hb_time=52539.84, hb_nr=260605
FPM20FTB21900189, Secondary, uptime=52129.25, priority=22, slot_id=1:9, idx=8, flag=0x64, in_sync=1
  b-chassis: state=3 (connected), ip=169.254.2.9, last_hb_time=52539.81, hb_nr=260580
FPM20FTB21900201, Secondary, uptime=52131.02, priority=20, slot_id=1:7, idx=9, flag=0x64, in_sync=1
  b-chassis: state=3 (connected), ip=169.254.2.7, last_hb_time=52539.74, hb_nr=260570
FPM20FTB21900203, Secondary, uptime=52124.18, priority=21, slot_id=1:8, idx=10, flag=0x64, in_sync=1
  b-chassis: state=3 (connected), ip=169.254.2.8, last_hb_time=52539.74, hb_nr=260550
FPM20FTB21900211, Secondary, uptime=52139.80, priority=23, slot_id=1:10, idx=11, flag=0x64, in_sync=1
  b-chassis: state=3 (connected), ip=169.254.2.10, last_hb_time=52539.85, hb_nr=260631
```

FPM confsync status

The `diagnose sys confsync status` command output begins with the confsync status for each FPM. In the following example for a FortiGate 7121F, the output begins with the confsync status if the FPM in slot 3. The two lines that begin with serial numbers and end with `in_sync=1` indicate that the FPM (serial number FPM20FTB21900186) is synchronized with the primary FIM (serial number FIM21FTB21000068) and the primary FIM is synchronized with the FPM.

```
diagnose sys confsync status
...
Slot: 3 Module SN: FPM20FTB21900186
ELBC: svcgrp_id=1, chassis=1, slot_id=3
```

```

ELBC HB devs:
    elbc-ctrl1: active=1, hb_count=52136
    elbc-ctrl2: active=1, hb_count=52131
ELBC mgmt devs:
    b-chassis: mgmtip_set=1

zone: self_idx:2, primary_idx:1, ha_primary_idx:255, members:3
FPM20FTB21900186, Primary, uptime=52134.23, priority=16, slot_id=1:3, idx=2, flag=0x4, in_
sync=1
FIM21FTB21000063, Secondary, uptime=52290.07, priority=2, slot_id=1:2, idx=0, flag=0x0, in_
sync=1 b-chassis: state=3(connected), ip=169.254.2.16, last_hb_time=52536.01, hb_nr=260584
FIM21FTB21000068, Primary, uptime=52293.10, priority=1, slot_id=1:1, idx=1, flag=0x0, in_
sync=1 b-chassis: state=3(connected), ip=169.254.2.15, last_hb_time=52536.02, hb_nr=260611

```

Viewing more details about FortiGate 7000F synchronization

If the output of the `diagnose sys configsync status` command includes `in_sync=0` entries, you can use the `diagnose sys confsync showcsum` command to view more details about the configuration checksums and potentially identify parts of the configuration that are not synchronized.

The `diagnose sys configsync showcsum` command shows HA and `confsync` debugzone and checksum information for the FIMs and FPMs, beginning with the FIM in slot 2 and ending with the primary FIM.

The following example shows the FPM in slot 3.

```

=====
Slot: 3  Module SN: FPM20FTB21900186
ha debugzone
global: 1f f3 3c ae 85 da 73 52 72 88 fa 44 60 6f 5d 8d
root: 2a f1 44 f4 6e 12 7c 5f 89 ef 93 df 5d ab cc 5a
mgmt-vdom: e6 38 a0 62 c4 a3 40 04 be c5 66 33 8a 31 0a 63
all: b0 5d c6 7b 3c 77 c7 40 f4 f9 c7 60 56 ba ae 7a

ha checksum
global: 1f f3 3c ae 85 da 73 52 72 88 fa 44 60 6f 5d 8d
root: 2a f1 44 f4 6e 12 7c 5f 89 ef 93 df 5d ab cc 5a
mgmt-vdom: e6 38 a0 62 c4 a3 40 04 be c5 66 33 8a 31 0a 63
all: b0 5d c6 7b 3c 77 c7 40 f4 f9 c7 60 56 ba ae 7a

confsync debugzone
global: 59 29 e8 00 17 62 bf 5a 34 54 2b 24 e7 19 49 05
root: a9 54 62 9e c7 0e c4 d2 10 dd 62 fb 89 5b 99 64
mgmt-vdom: 2b 03 b8 9d df 86 90 44 00 4a c8 be ed 37 62 cb
all: 3d ae ae 4f 54 2b 98 b9 ec 59 1a 6c 59 f8 8e ec

confsync checksum
global: 59 29 e8 00 17 62 bf 5a 34 54 2b 24 e7 19 49 05
root: a9 54 62 9e c7 0e c4 d2 10 dd 62 fb 89 5b 99 64
mgmt-vdom: 2b 03 b8 9d df 86 90 44 00 4a c8 be ed 37 62 cb
all: 3d ae ae 4f 54 2b 98 b9 ec 59 1a 6c 59 f8 8e ec

```

The example output includes four sets of checksums: a checksum for the global configuration, a checksum for each VDOM (in this case there are two VDOMs: `root` and `mgmt-vdom`), and a checksum for the complete configuration (`all`). You can verify that this FPM is synchronized because both sets of HA checksums match and both sets of `confsync` checksums match. Also as expected, the HA and `confsync` checksums are different.

If the FIMs and FPMs in a standalone FortiGate 7000F have the same set of checksums, the FIMs and FPMs in that FortiGate 7000F are synchronized.

If a FIM or FPM is out of sync, you can use the output of the `diagnose sys configsync showcsum` command to determine what part of the configuration is out of sync. You could then take action to attempt to correct the problem or contact Fortinet Technical Support at <https://support.fortinet.com> for assistance.

A corrective action could be to restart of the component with the synchronization error. You could also try using the following command to re-calculate the checksums in case the sync error is just temporary:

```
diagnose sys confsync csum-recalculate
```

Cluster status dashboard widget

The primary FIM GUI global dashboard includes the Cluster Status dashboard widget (one of the System widgets). You can this widget to view the configuration synchronization status of your FortiGate 7000F and its individual FIMs and FPMs. The Cluster Status dashboard widget also displays the current number of sessions, memory usage, and CPU usage for the FIMs and FPMs in your FortiGate 7000F. This display allows you to separate management plane resource usage (FIMs) from data plane resource usage (FPMs). The Cluster Status dashboard widget is only available from the primary FIM GUI.



When adding a FortiGate 7000F to an existing security fabric, for normal operation you must authorize the FortiGate 7000F and all of the FIM and FPMs on the root FortiGate. Otherwise, the FortiGate 7000F primary FIM will not be able to communicate with the other FIM and the FPMs. No entries will appear on the Cluster status dashboard widget until all of the FIMs and FPMs have been authorized with the root FortiGate.

Synchronization information includes the configuration status, role (primary or secondary), type (management or data), current number of sessions, current memory usage, current CPU usage, time since the last heartbeat was received from the component, the total number of heartbeat packets received from the component, and up time. You can also customize the columns that appear. If a component has failed, it will be removed from the list. If a component is out of synchronization this will be reflected in the Configuration Status list.

Serial	Configuration Status	Role	Type	Slot ID	Sessions	Memory
FIM10E3E16000039	✓ In Sync	Primary	Management	1	83	4%
FIM20E3E17000082	✓ In Sync	Secondary	Management	2	30	10%
FPM20E3E16800068	✓ In Sync	Secondary	Dataplane	6	23	11%
FPM20E3E17900026	✓ In Sync	Secondary	Dataplane	4	22	11%
FPM20E3E17900152	✓ In Sync	Secondary	Dataplane	5	22	10%
FPM20E3E17900282	✓ In Sync	Secondary	Dataplane	3	22	11%

You can hover your mouse cursor over any of the components and view more detailed information about the component including the hostname, serial number, firmware version, management IP address, special management port number, CPU usage, memory usage, and session count.

From the pop up you can also select **Login** to log into the component's GUI using its management IP address and special port number. You can also select **Configure** to change the component's host name.

FortiGate 7000F dashboard widgets

The FortiGate 7000F includes a number of custom dashboard widgets that provide extra or custom information for FortiGate 7000F systems.

Cluster status

Displays SLBC synchronization information, see [Cluster status dashboard widget on page 42](#).

Resource usage

The resource usage widgets show CPU usage, disk usage, log rate, memory usage, session setup rate, and the current number of sessions for the primary FIM.

Sensor Information

The **Sensor Information** widget displays FortiGate 7000F temperature and power supply (PSU) information. You can click on any item on the widget to display data collected by individual sensors.

Multi VDOM mode

By default, when you first start up a FortiGate 7000F it is operating in Multi VDOM mode. The default Multi VDOM configuration includes the **root** VDOM and a management VDOM named **mgmt-vdom**. The management interfaces and the HA heartbeat interfaces are in mgmt-vdom and all the data interfaces are in the root VDOM.

You cannot delete or rename mgmt-vdom. You also cannot remove interfaces from it or add interfaces to it. You can; however, configure other settings such as routing required for management communication, interface IP addresses, and so on. You can also add VLANs to the interfaces in mgmt-vdom and you can create LAGs that include the interfaces in mgmt-vdom.

You can use the root VDOM for data traffic and you can also add more VDOMs as required, depending on your Multi VDOM license.

FortiGate 7000F 7.2.13 incompatibilities and limitations

FortiGate 7000F for FortiOS 7.2.13 has the following limitations and incompatibilities with FortiOS features:



The FortiGate 7000F uses the Fortinet Security Fabric for communication and synchronization between the FIMs and the FPMs and for normal GUI operation. By default, the Security Fabric is enabled and must remain enabled for normal operation.

Default management VDOM

By default the FortiGate-7000 configuration includes a management VDOM named `mgmt-vdom`. For the FortiGate 7000F system to operate normally you should not change the configuration of this VDOM and this VDOM should always be the management VDOM. You should also not add or remove interfaces from this VDOM.

You have full control over the configurations of other FortiGate 7000F VDOMs.

Maximum number of LAGs and interfaces per LAG

FortiGate 7000F systems support up to 16 link aggregation groups (LAGs). This includes both normal link aggregation groups and redundant interfaces. A FortiGate 7000F LAG can include up to 20 interfaces.

High availability

You can use the M1 to M4 interfaces for HA heartbeat communication.

The following FortiOS HA features are not supported or are supported differently by FortiGate 7000F:

- Active-active HA is not supported.
- The range for the HA `group-id` is 0 to 255.
- Failover logic for FortiGate 7000F HA is not the same as FGCP for other FortiGate clusters.
- HA heartbeat configuration is specific to FortiGate 7000F systems and differs from standard HA.
- FortiGate 7000F HA does not support the `route-wait` and `route-hold` options for tuning route synchronization between FortiGate 7000Fs.
- VLAN monitoring using the `config system ha-monitor` command is not supported.
- For information about virtual clustering limitations, see [Limitations of FortiGate 7000F virtual clustering on page 91](#) and [Virtual clustering VLAN/VDOM limitation on page 91](#).

Fortilink support

You must manually set the LACP mode of the fortilink interface to static:

```
config system interface
  edit fortilink
    set lacp-mode static
  end
```

For more information about FortiLink support, see [FortiLink support on page 107](#).

Shelf manager module

It is not possible to access SMM CLI using Telnet or SSH. Only console access is supported using the chassis front panel console ports as described in the FortiGate 7000F system guide.

FortiOS features not supported by FortiGate 7000F

The following mainstream FortiOS features are not supported by the FortiGate 7000F:

- Hardware switch.
- DLP archiving.
- Because the FortiGate 7000F uses NP7 processors for load balancing, the FortiGate 7000F supports IPv6 clear text traffic over IPv4 or IPv6 IPsec tunnels terminated on the FortiGate 7000F.
- GRE tunneling is only supported after creating a load balance flow rule, for example:

```
config load-balance flow-rule
  edit 0
    set status enable
    set vlan 0
    set ether-type ip
    set protocol gre
    set action forward
    set forward-slot master
    set priority 3
  end
```

- EMAC VLANs are not supported.
- The FortiGate-7000 does not support configuring dedicated management interfaces using the `config system dedicated-mgmt` command or by enabling the `dedicated-to management` interface option. The purpose of the dedicated management interface feature is to add a routing table just for management connections. This functionality is supported by the FortiGate-7000 management VDOM (mgmt-vdom) that has its own routing table and contains all of the FortiGate-7000 management interfaces.
- Enabling the system settings option `tcp-session-without-syn` and configuring a firewall policy to accept sessions without syn packets allows FortiOS to add entries to its session table for sessions that do not include SYN packets. These sessions can only be load balanced by the NP7 processors if the `dp-load-distribution-method` is set to `src-dst-ip-sport-dport` (default) or `src-dst-ip`. If any other load distribution method is used, the sessions will be dropped. As well, the NP7 processors cannot load balance these sessions if they are accepted by a firewall policy with NAT enabled.
- The `source-ip` option for management services (for example, logging, SNMP, connecting to FortiSandbox) that use interfaces in the mgmt-vdom is not supported and has been removed from the CLI.
- The `config vpn ssl settings tunnel-addr-assigned-method` is now available again. This option had been removed from the CLI in a previous release because setting this option to `first-available` and configuring multiple IP pools can reduce FortiGate 7000F SSL VPN load balancing performance. However, some users may want the ability to use multiple IP pools for their SSL VPN configuration, even if performance is reduced. So the change has been reverted.
- The `encryption` option of the `config system standalone-cluster` command does not encrypt session synchronization traffic. Enabling this option has no effect.

IPsec VPN tunnels terminated by the FortiGate 7000F

For a list of FortiGate 7000F IPsec VPN features and limitations, see [IPsec VPN load balancing on page 68](#).

Traffic shaping and DDoS policies

Each FPM applies traffic shaping and DDoS quotas independently. Because of load-balancing, this may allow more traffic than expected.

FortiGuard web filtering and spam filtering queries

The FortiGate 7000F sends all FortiGuard web filtering and spam filtering rating queries through a management interface from the management VDOM.

Web filtering quotas

On a VDOM operating with the **Inspection Mode** set to **Proxy**, you can go to **Security Profiles > Web Filter** and set up **Category Usage Quotas**. Each FPM has its own quota, and the FortiGate 7000F applies quotas per FPM and not per the entire FortiGate 7000F system. This could result in quotas being exceeded if sessions for the same user are processed by different FPMs.

Special notice for new deployment connectivity testing

Only the primary FPM can successfully ping external IP addresses. During a new deployment, while performing connectivity testing from the FortiGate 7000F, make sure to run `execute ping` tests from the primary FPM CLI.

Display the process name associated with a process ID

You can use the following command to display the process name associated with a process ID (PID):

```
diagnose sys process nameof <pid>
```

Where <pid> is the process ID.

Managing individual FortiGate 7000F FIMs and FPMs

You can manage individual FIMs and FPMs using special port numbers or the `execute load-balance slot manage` command. You can also use the `execute ha manage` command to log in to the other FortiGate 7000F in an HA configuration.

Special management port numbers

In some cases, you may want to connect to individual FIMs or FPMs to view status information or perform a maintenance task such as installing firmware or performing a restart. You can connect to the GUI or CLI of individual FIMs or FPMs in a FortiGate 7000F using the SLBC management interface IP address with a special port number.

You use the following command to configure the SLBC management interface:

```
config global
  config load-balance setting
    set slbc-mgmt-intf <interface>
  end
```

Where <interface> becomes the SLBC management interface.



To enable using the special management port numbers to connect to individual FIMs and FPMs, the SLBC management interface must be connected to a network, have a valid IP address, and have management or administrative access enabled. To block access to the special management port numbers, disconnect the mgmt interface from a network, configure the SLBC management interface with an invalid IP address, or disable management or administrative access for the SLBC management interface.

You can connect to the GUI or CLI of individual FIMs or FPMs using the SLBC management interface IP address followed by a special port number. For example, if the SLBC management interface IP address is 192.168.1.99, to connect to the GUI of the FPM in slot 3, browse to:

```
https://192.168.1.99:44303
```

The special port number (in this case 44303) is a combination of the service port (for HTTPS, the service port is 443) and the slot number (in this example, 03).

You can view the special HTTPS management port number for and log in to the GUI of an FIM or FPM from the Cluster status dashboard widget.

The following table lists the special port numbers to use to connect to each FortiGate 7000F slot using common management protocols.



You can't change the special management port numbers. Changing configurable management port numbers, for example the HTTPS management port (which you might change to support SSL VPN), does not affect the special management port numbers.

For example, to connect to the GUI of the FIM in slot 2 using HTTPS you would browse to <https://192.168.1.99:44302>.

To verify which FIM or FPM you have logged into, the GUI header banner and the CLI prompt shows its hostname. The System Information dashboard widget also shows the host name and serial number. The CLI prompt also shows the slot address in the format `<hostname> [<slot address>] #`.

Logging in to different FIMs or FPMs allows you to use dashboard widgets, FortiView, or Monitor GUI pages to view the activity of that FIM or FPM. Even though you can log in to different modules, you can only make configuration changes from the primary FIM; which is usually the FIM in slot 1.

FortiGate 7000F special management port numbers (slot numbers in order as installed in the chassis)

Slot Number	Slot Address	HTTP (80)	HTTPS (443)	Telnet (23)	SSH (22)	SNMP (161)
11	FPM11	8011	44311	2311	2211	16111
9	FPM09	8009	44309	2309	2209	16109
7	FPM07	8007	44307	2307	2207	16107
5	FPM05	8005	44305	2305	2205	16105
3	FPM03	8003	44303	2303	2203	16103
1	FIM01	8001	44301	2301	2201	16101
2	FIM02	8002	44302	2302	2202	16102
4	FPM04	8004	44304	2304	2204	16104
6	FPM06	8006	44306	2306	2206	16106
8	FPM08	8008	44308	2308	2208	16108
10	FPM10	8010	44310	2310	2210	16110
12	FPM12	8012	44312	2312	2212	16112

HA mode special management port numbers

In HA mode, you use the same special port numbers to connect to FIMs and FPMs in chassis 1 (chassis ID = 1) and different special port numbers to connect to FIMs and FPMs in chassis 2 (chassis ID = 2):

FortiGate 7000F HA special management port numbers

Chassis and Slot Number	Slot Address	HTTP (80)	HTTPS (443)	Telnet (23)	SSH (22)	SNMP (161)
Ch1 slot 11	FPM11	8011	44311	2311	2211	16111
Ch1 slot 9	FPM09	8009	44309	2309	2209	16109
Ch1 slot 7	FPM07	8007	44307	2307	2207	16107
Ch1 slot 5	FPM05	8005	44305	2305	2205	16105

Chassis and Slot Number	Slot Address	HTTP (80)	HTTPS (443)	Telnet (23)	SSH (22)	SNMP (161)
Ch1 slot 3	FPM03	8003	44303	2303	2203	16103
Ch1 slot 1	FIM01	8001	44301	2301	2201	16101
Ch1 slot 2	FIM02	8002	44302	2302	2202	16102
Ch1 slot 4	FPM04	8004	44304	2304	2204	16104
Ch1 slot 6	FPM06	8006	44306	2306	2206	16106
Ch1 slot 8	FPM08	8008	44308	2308	2208	16108
Ch1 slot 10	FPM10	8010	44310	2310	2210	16110
Ch1 slot 12	FPM12	8012	44312	2312	2212	16112
Ch2 slot 11	FPM11	8031	44331	2331	2231	16131
Ch2 slot 9	FPM09	8029	44329	2329	2229	16129
Ch2 slot 7	FPM07	8027	44327	2327	2227	16127
Ch2 slot 5	FPM05	8025	44325	2325	2225	16125
Ch2 slot 3	FPM03	8023	44323	2323	2223	16123
Ch2 slot 1	FIM01	8021	44321	2321	2221	16121
Ch2 slot 2	FIM02	8022	44322	2322	2222	16122
Ch2 slot 4	FPM04	8024	44324	2324	2224	16124
Ch2 slot 6	FPM06	8026	44326	2326	2226	16126
Ch2 slot 8	FPM08	8028	44328	2328	2228	16128
Ch2 slot 10	FPM10	8030	44330	2330	2230	16130
Ch2 slot 12	FPM12	8032	44332	2332	2232	16132

Managing individual FIMs and FPMs from the CLI

From any CLI, you can use the `execute load-balance slot manage <slot>` command to log into the CLI of different FIMs and FPMs. You can use this command to view the status or configuration of the module, restart the module, or perform other operations. You should not change the configuration of individual FIMs or FPMs because this can cause configuration synchronization errors.

`<slot>` is the slot number of the slot that you want to log in to.

After you log in to a different module in this way, you can't use the `execute load-balance slot manage` command to log in to another module. Instead, you must use the `exit` command to revert back to the CLI of the component that you originally logged in to. Then you can use the `execute load-balance slot manage` command to log into another module.

Connecting to individual FIM and FPM CLIs of the secondary FortiGate 7000F in an HA configuration

From the primary FIM of the primary FortiGate 7000F in an HA configuration, you can use the following command to log in to the primary FIM of the secondary FortiGate 7000F:

```
execute ha manage <id>
```

Where `<id>` is the ID of the other FortiGate 7000F in the cluster. From the primary FortiGate 7000F, use an ID of 0 to log into the secondary FortiGate 7000F. From the secondary FortiGate 7000F, use an ID of 1 to log into the primary FortiGate 7000F. You can enter the `?` to see the list of IDs that you can connect to.

After you have logged in, you can manage the secondary FortiGate 7000F from the primary FIM or you can use the `execute-load-balance slot manage` command to connect to the CLIs of the other FIM and the FPMs in the secondary FortiGate 7000F.

Load balancing and flow rules

This chapter provides an overview of how FortiGate 7000F Session-Aware Load Balancing (SLBC) works and then breaks down the details and explains why you might want to change some load balancing settings.

FortiGate 7000F SLBC works as follows.

1. The FortiGate 7000F directs all traffic that does not match a load balancing flow rule to the NP7 processors. If a session matches a flow rule, the session skips the NP7 processors and is directed according to the action setting of the flow rule. Default flow rules send traffic that can't be load balanced to the primary FPM. See [Default flow rules for traffic that cannot be load balanced on page 149](#).
2. The NP7 processors load balance TCP, UDP, SCTP, and ICMP sessions among the FPMs according to the load balancing method set by the `dp-load-distribution-method` option of the `config load-balance setting` command.

The NP7 processors load balance ICMP sessions among FPMs according to the load balancing method set by the `dp-icmp-distribution-method` option of the `config load-balance setting` command. See [ICMP load balancing on page 58](#).

The NP7 processors load balance GTP-U sessions if GTP load balancing is enabled. If GTP load balancing is disabled, the NP7 processors send GTP sessions to the primary FPM. For more information about GTP load balancing, see [Enabling GTP load balancing on page 54](#).

The NP7 processors load balance PFCP-controlled GTP-U sessions if PFCP load balancing is enabled. If PFCP load balancing is disabled, the NP7 processors send PFCP-controlled GTP-U sessions to the primary FPM. For more information about PFCP load balancing, see [PFCP load balancing on page 57](#).

To support ECMP you can change how the NP7 processors manage session tables, see [ECMP support on page 108](#).

3. The NP7 processors send other sessions that cannot be load balanced to the primary FPM.

Setting the load balancing method

Sessions are load balanced or distributed by the NP7 processors based on the load balancing method set by the following command:

```
config load-balance setting
  set dp-load-distribution-method {to-master | src-ip | dst-ip | src-dst-ip | src-ip-sport
    | dst-ip-dport | src-dst-ip-sport-dport}
end
```

The default load balancing method, `src-dst-ip`, distributes sessions across all FPMs according to their source and destination IP address. The source and destination address is used to determine where to send new sessions and where to send additional packets that are part of an already established session. This method is normally the optimal load balancing method for most traffic types.

For information about the other load balancing methods, see [config load-balance setting on page 143](#).

Setting the load balancing method for individual VDOMs

You can use the following command to set a custom load balancing method for an individual VDOM. All of the traffic destined for that VDOM will be distributed to FPMs by the NP7 load balancers according to the following setting:

```
config system settings
  set dp-load-distribution-method {derived | to-master | src-ip | dst-ip | src-dst-ip |
    src-ip-sport | dst-ip-dport | src-dst-ip-sport-dport}
end
```

The default load balancing method, `derived`, means traffic for that VDOM uses the global load balancing method set by the `dp-load-distribution-method` option of the global `config load-balance setting` command.

For information about the other load balancing methods, see [dp-load-distribution-method {to-master | src-ip | dst-ip | src-dst-ip | src-ip-sport | dst-ip-dport | src-dst-ip-sport-dport}](#) on page 145.

Setting the load balancing method for individual VDOMs allows you separate traffic that requires different load balancing methods to different VDOMs, and then set the load balancing method for that VDOM to be optimal for the traffic handled by that VDOM.

One example application of this feature could be to support FortiGate firewall and content filtering services that involve users accessing a web page presented by a FortiGate proxy service (for example, a web filtering warning page displayed by proxy-based web filtering). Supporting this feature requires setting the `dp-load-distribution-method` to `src-ip` or `src-dist-ip`. You could create one or more VDOMs for these proxy-based firewall and content proxy services and set the `dp-load-distribution-method` for those VDOMs to `src-ip` or `src-dist-ip`. For more information, see the Fortinet Community article [Technical Tip: Warning prompt when reaching the web server](#).

Setting the load balancing method for individual VDOMs has the following limitations:

- The Global ICMP load balancing method applies to all VDOMs (see [ICMP load balancing on page 58](#)). You cannot set a different ICMP load balancing method for an individual VDOM.
- You enable SSL VPN load balancing using a global setting and SSL VPN load balancing only works with some load balancing methods (see [SSL VPN load balancing on page 65](#) for details). If you enable SSL VPN load balancing, you cannot set a load balancing method for an individual VDOM that is not supported by SSL VPN load balancing. If SSL VPN load balancing is enabled, you can set a load balancing method for an individual VDOM that is different from the global load balancing method, as long as this load balancing method is supported by SSL VPN load balancing.
- You can't enable SSL VPN load balancing if you have previously configured an individual VDOM to use a load balancing method not supported by SSL VPN load balancing.

Determining the primary FPM

You can use the `diagnose load-balance status` command to determine which FPM is operating as the primary FPM.

You can also use the `execute load-balance slot set-master-worker` command to temporarily make an FPM the primary FPM.

The following example `diagnose load-balance status` output for a FortiGate-7121F shows that the FPM in slot 3 is the primary FPM. The command output also shows the status of the FPMs in slots 3 to 6 of the FortiGate-7121F.

```

diagnose load-balance status
=====
Slot: 2  Module SN: FIM21FTB21000063
  Primary FPM Blade: slot-3

Slot 3: FPM20FTB21900186
  Status:Working  Function:Active
  Link:           Base: Up           Fabric: Up
  Heartbeat: Management: Good      Data: Good
  Status Message:"Running"
Slot 4: FPM20FTB21900165
  Status:Working  Function:Active
  Link:           Base: Up           Fabric: Up
  Heartbeat: Management: Good      Data: Good
  Status Message:"Running"
Slot 5: FPM20FTB21900170
  Status:Working  Function:Active
  Link:           Base: Up           Fabric: Up
  Heartbeat: Management: Good      Data: Good
  Status Message:"Running"
Slot 6: FPM20FTB21900179
  Status:Working  Function:Active
  Link:           Base: Up           Fabric: Up
  Heartbeat: Management: Good      Data: Good
  Status Message:"Running"
  ...

```

Flow rules for sessions that cannot be load balanced

Some traffic types cannot be load balanced. Sessions for traffic types that cannot be load balanced should normally be sent to the primary FPM by configuring flow rules for that traffic. You can also configure flow rules to send traffic that cannot be load balanced to specific FPMs.

Create flow rules using the `config load-balance flow-rule` command. The default configuration uses this command to send Kerberos, BGP, RIP, VRRP, IPv4 and IPv6 DHCP, PPTP, BFD, IPv4 and IPv6 multicast, GTP, and HTTP and HTTPS authd sessions to the primary FPM. You can view the default configuration of the `config load-balance flow-rule` command to see how this is all configured, or see [Default flow rules for traffic that cannot be load balanced on page 149](#).



Because of a limitation of the FIM-7921F switch hardware, the FortiGate 7121F or FortiGate 7081F with FIM-7921Fs does not support adding VLANs to flow rules. The `vlan` setting of the `config load-balance flow-rule` command is ignored.

For example, the following configuration sends BGP source and destination sessions to the primary FPM:

```

config load-balance flow-rule
edit 3
  set status enable
  set vlan 0
  set ether-type ip
  set protocol tcp
  set src-l4port 179-179

```

```
    set dst-l4port 0-0
    set tcp-flag any
    set action forward
    set forward-slot master
    set priority 5
    set comment "bgp src"
next
edit 4
    set status enable
    set vlan 0
    set ether-type ip
    set protocol tcp
    set src-l4port 0-0
    set dst-l4port 179-179
    set tcp-flag any
    set action forward
    set forward-slot master
    set priority 5
    set comment "bgp dst"
end
```

GTP load balancing

You can use the information in this section to optimize FortiGate 7000F GTP performance.

Enabling GTP load balancing

You can use the following load balancing command to enable or disable FortiGate 7000F GTP-U load balancing.

```
config load-balance setting
    config gtp-load-balance {disable | enable}
end
```

The following flow rule is also available to direct GTP-C traffic to the primary FPM.

```
config load-balance flow-rule
    edit 17
        set status disable
        set ether-type ipv4
        set src-addr-ipv4 0.0.0.0 0.0.0.0
        set dst-addr-ipv4 0.0.0.0 0.0.0.0
        set protocol udp
        set src-l4port 0-0
        set dst-l4port 2123-2123
        set action forward
        set forward-slot master
        set priority 5
        set comment "gtp-c to primary blade"
    next
end
```

The recommended configuration for optimal GTP-C tunnel setup and GTP-U throughput performance is to enable `gtp-load-balance` and disable the GTP-C flow rule. In this configuration, both GTP-C and GTP-U traffic is load balanced among all of the FPMs:

```
config load-balance setting
  config gtp-load-balance enable
end
config load-balance flow-rule
  edit 17
  set status disable
  set ether-type ipv4
  set src-addr-ipv4 0.0.0.0 0.0.0.0
  set dst-addr-ipv4 0.0.0.0 0.0.0.0
  set protocol udp
  set src-l4port 0-0
  set dst-l4port 2123-2123
  set action forward
  set forward-slot master
  set priority 5
  set comment "gtp-c to primary blade"
  next
end
```

If you want GTP-C traffic to only be processed by the primary FPM, you can edit the GTP-C flow rule and set `status` to `enable`. When enabled, this flow rule sends all GTP-C traffic to the primary FPM. Enabling this flow rule can reduce GTP performance, since all GTP-C tunnel setup sessions will be done by the primary FPM and not distributed among all of the FPMs.

```
config load-balance flow-rule
  edit 17
  set status enable
  set ether-type ipv4
  set src-addr-ipv4 0.0.0.0 0.0.0.0
  set dst-addr-ipv4 0.0.0.0 0.0.0.0
  set protocol udp
  set src-l4port 0-0
  set dst-l4port 2123-2123
  set action forward
  set forward-slot master
  set priority 5
  set comment "gtp-c to primary blade"
  next
end
```

GTP-U load balancing may not distribute sessions evenly among all of the FPMs. Its common in many 4G networks to have just a few SGWs. Similar configurations with very few servers may also be used in other GTP implementations. If the FortiGate 7000F receives GTP traffic from a very few servers, the GTP traffic will have very few source and destination IP addresses and TCP/IP ports. Since SLBC load balancing is based on source and destination IP addresses and TCP ports, its possible that sessions will not be distributed evenly among the FPMs. In fact, most GTP-U traffic could be processed by a limited number of FPMs.

Enabling GTP-U load balancing still distributes sessions and improves performance, but performance gains from enabling GTP-U load balancing may not be as high as anticipated.

GTP with dynamic source port allocation

GTP supports dynamically allocating UDP source ports. Dynamic source port allocation can help balance the load on the network.

To support GTP with dynamic source port allocation on a FortiGate 7000F, the recommended configuration is to enable the standard GTP-C flow rule to send all GTP-C traffic to the primary FPM. This flow rule sends all traffic with destination port 2123 to the primary FPM.

```
config load-balance flow-rule
  edit 17
  set status enable
  set ether-type ipv4
  set src-addr-ipv4 0.0.0.0 0.0.0.0
  set dst-addr-ipv4 0.0.0.0 0.0.0.0
  set protocol udp
  set src-l4port 0-0
  set dst-l4port 2123-2123
  set action forward
  set forward-slot master
  set priority 5
  set comment "gtp-c to primary blade"
  next
end
```

In addition, you must create a second flow rule to send all GTP-C traffic with source port 2123 to the primary FPM. For example:

```
config load-balance flow-rule
  edit 23
  set status enable
  set ether-type ipv4
  set src-addr-ipv4 0.0.0.0 0.0.0.0
  set dst-addr-ipv4 0.0.0.0 0.0.0.0
  set protocol udp
  set src-l4port 2123-2123
  set dst-l4port 0-0
  set action forward
  set forward-slot master
  set priority 5
  set comment "gtp-c src port to primary blade"
  next
end
```



You can also support GTP with dynamic source port allocation by setting the `dp-load-distribution-method` to `src-dst-ip`:

```
config load-balance setting
  set dp-load-distribution-method src-dst-ip
end
```

Enabling GTP load balancing using the following command is supported for GTP with dynamic source port allocation:

```
config load-balance setting
  set gtp-load-balance {disable | enable}
end
```

GTP load balancing and fabric channel usage

On a FortiGate 7000F, when GTP load balancing is enabled, GTP tunnels are synchronized over the fabric channel backplane (also called the data channel). The fabric channel is also used for SLBC session synchronization. On a busy FortiGate 7000F that is also load balancing GTP tunnels, the system may experience more lost SLBC heartbeats than normal.

To avoid missed heartbeats, you should increase the `max-miss-heartbeats` load balancing setting.

For example, when GTP load balancing is enabled, Fortinet recommends setting the `max-miss-heartbeats` to 40.

```
config load-balance setting
  set max-miss-heartbeats 40
  set gtp-load-balance enable
end
```

Optimizing FortiOS Carrier NPU GTP performance

You can use the following commands to optimize GTP performance:

```
config system npu
  set gtp-support enable
  set gtp-enhance-mode enable
end
```

There are independent Receive and Transmit queues for GTP-U processes. These queues and their associated resources are initialized when `gtp-enhance-mode` is enabled. After entering this command, you should restart your FortiGate 7000F to initialize the changes.

If you restore a configuration file, and if that restored configuration file has a different `gtp-enhance-mode` setting you should restart your FortiGate 7000F to initialize the changes.

To enable `gtp-enhance-mode` for an operating FortiGate 7000F FGCP HA cluster, you need to remove the backup FortiGate 7000F from the cluster, enable `gtp-enhance-mode` for both FortiGate 7000Fs, restart both FortiGate 7000Fs, and then re-form the cluster. This process will cause traffic interruptions.

PFCP load balancing

FortiGate 7000F includes support for load balancing the Packet Forwarding Control Protocol (PFCP). PFCP is a new addition to 3GPP that provides 4G Control plane and User Plane Separation (CUPS) and 5G signaling evolution. When PFCP is used as the control plane, the user plane employs GTP-U encapsulation. PFCP takes many of the roles that are provided by GTP-C in 3G/4G networks today and provides session awareness and tracking of GTP-U user plane traffic while also providing control plane initiation.

FortiGate 7000F PFCP support includes supporting PFCP session synchronization for FGCP HA.

You can use the following command to enable or disable FortiGate 7000F PFCP load balancing.

```
config load-balance setting
  set pfcpl-load-balance {disable | enable}
end
```

The following flow rule is also available to direct PFCP control plane traffic to the primary FPM.

```
edit 21
  set status disable
  set vlan 0
  set ether-type ipv4
  set src-addr-ipv4 0.0.0.0 0.0.0.0
  set dst-addr-ipv4 0.0.0.0 0.0.0.0
  set protocol udp
  set src-l4port 0-0
  set dst-l4port 8805-8805
  set action forward
  set forward-slot master
  set priority 5
  set comment "pfcip to primary blade"
end
```

By default, both of these configurations are disabled and PFCIP control plane and user plane traffic is not load balanced. The NP7 processor sends all PFCIP control plane and user plane traffic to the primary FPM.

To load balance PFCIP user plane traffic to multiple FPMs, you can set `pfcip-load-balance` to `enable`. This also enables the PFCIP flow rule. PFCIP user plane traffic is then load balanced across all FPMs while PFCIP control plane traffic is still handled by the primary FPM. This is the recommended configuration for load balancing PFCIP traffic.

These options are also available if your FortiGate 7000F is licensed for FortiOS Carrier. For more information about PFCIP and FortiOS Carrier, see [FortiOS Carrier PFCIP protection](#).

ICMP load balancing

You can use the following option to configure NP7 load balancing for ICMP sessions:

```
config load-balance setting
  set dp-icmp-distribution-method {to-master | src-ip | dst-ip | src-dst-ip | derived}
end
```

The default setting is `derived` to load balance ICMP sessions using the `dp-load-distribution-method` setting. Since port-based ICMP load balancing is not possible, if `dp-load-distribution-method` is set to a load balancing method that includes ports, ICMP load balancing will use the equivalent load balancing method that does not include ports. For example, if `dp-load-distribution-method` is set to the `src-dst-ip-sport-dport` then ICMP load balancing will use `src-dst-ip` load balancing.

Select `to-master` to send all ICMP traffic is sent to the primary FPM.

If you want to customize ICMP load balancing, you can select one of the other options. You can load balance ICMP sessions by source IP address, by destination IP address, or by source and destination IP address.

Optimizing NAT IP pool allocation on FortiGate 7000F systems with empty FPM slots

FortiOS allocates IP pool addresses evenly among all of the FPMs in a FortiGate 7000F chassis. However, if the chassis has empty FPM slots, IP pool addresses are allocated to the empty slots as well as the operating slots, resulting in fewer IP addresses being available for the operating FPMs.

You can use the following command to disable the empty slots. When the empty slots are disabled, all IP pool addresses are allocated to the operating FPMs; resulting in all of the addresses in the IP pool being available.

For example, if you are operating an FortiGate-7121F with FPMs in slots 3 to 8 only, use the following command to disable slots 9 to 12:

```
config load-balance setting
  config workers
    edit 9
      set status disable
    next
    edit 10
      set status disable
    end
    edit 11
      set status disable
    end
    edit 12
      set status disable
    end
```



Enabling or disabling FPM slots causes the FortiGate 7000F to re-partition all NAT pools among the currently active FPMs. This might disrupt currently running sessions, so Fortinet recommends enabling or disabling FPMs during a maintenance window.

Adding flow rules to support DHCP relay

The FortiGate 7000F default flow rules may not handle DHCP relay traffic correctly.

The default configuration includes the following flow rules for IPv4 DHCP traffic:

```
config load-balance flow-rule
  edit 7
    set status enable
    set vlan 0
    set ether-type ipv4
    set src-addr-ipv4 0.0.0.0 0.0.0.0
    set dst-addr-ipv4 0.0.0.0 0.0.0.0
    set protocol udp
    set src-l4port 67-67
    set dst-l4port 68-68
    set action forward
    set forward-slot master
    set priority 5
    set comment "dhcpv4 server to client"
  next
  edit 8
    set status enable
    set vlan 0
    set ether-type ipv4
    set src-addr-ipv4 0.0.0.0 0.0.0.0
    set dst-addr-ipv4 0.0.0.0 0.0.0.0
    set protocol udp
```

```

    set src-l4port 68-68
    set dst-l4port 67-67
    set action forward
    set forward-slot master
    set priority 5
    set comment "dhcpv4 client to server"
end

```

These flow rules handle traffic when the DHCP client sends requests to a DHCP server using port 68 and the DHCP server responds using port 67. However, if DHCP relay is involved, requests from the DHCP relay to the DHCP server and replies from the DHCP server to the DHCP relay both use port 67. If this DHCP relay traffic passes through the FortiGate 7000F you must add a flow rule similar to the following to support port 67 DHCP traffic in both directions (the following example uses `edit 0` to add the DHCP relay flow using the next available flow rule index number):

```

config load-balance flow-rule
  edit 0
    set status enable
    set vlan 0
    set ether-type ipv4
    set src-addr-ipv4 0.0.0.0 0.0.0.0
    set dst-addr-ipv4 0.0.0.0 0.0.0.0
    set protocol udp
    set src-l4port 67-67
    set dst-l4port 67-67
    set action forward
    set forward-slot master
    set priority 5
    set comment "dhcpv4 relay"
  next

```

The default configuration also includes the following flow rules for IPv6 DHCP traffic:

```

edit 13
  set status enable
  set vlan 0
  set ether-type ipv6
  set src-addr-ipv6 ::/0
  set dst-addr-ipv6 ::/0
  set protocol udp
  set src-l4port 547-547
  set dst-l4port 546-546
  set action forward
  set forward-slot master
  set priority 5
  set comment "dhcpv6 server to client"
next
edit 14
  set status enable
  set vlan 0
  set ether-type ipv6
  set src-addr-ipv6 ::/0
  set dst-addr-ipv6 ::/0
  set protocol udp
  set src-l4port 546-546
  set dst-l4port 547-547
  set action forward
  set forward-slot master
  set priority 5

```

```
    set comment "dhcpv6 client to server"
next
```

These flow rules handle traffic when the IPv6 DHCP client sends requests to a DHCP server using port 547 and the DHCP server responds using port 546. However, if DHCP relay is involved, requests from the DHCP relay to the DHCP server and replies from the DHCP server to the DHCP relay both use port 547. If this DHCP relay traffic passes through the FortiGate 7000F you must add a flow rule similar to the following to support port 547 DHCP traffic in both directions (the following example uses `edit 0` to add the DHCP relay flow using the next available flow rule index number):

```
config load-balance flow-rule
  edit 0
    set status enable
    set vlan 0
    set ether-type ipv6
    set src-addr-ipv6 ::/0
    set dst-addr-ipv6 ::/0
    set protocol udp
    set src-l4port 547-547
    set dst-l4port 547-547
    set action forward
    set forward-slot master
    set priority 5
    set comment "dhcpv6 relay"
next
```

Flow rules to support multihop BFD (MBFD)

The FortiGate 7000F supports Multihop BFD for normal traffic and over IPsec VPN tunnels that are terminated by the FortiGate 7000F (see [BFD for multihop path for BGP](#)).

The multihop control protocol uses TCP and UDP traffic on port 4784. Multihop control traffic is not load balanced by NP7 processors. Instead, a flow rule is used to send all multihop control traffic to a single FPM.

The following flow rule has been added to the default flow rules for traffic that cannot be load balanced to send all multihop control traffic to the primary FPM. This flow rule should be enabled if you configure multihop BFD support on your FortiGate 7000F.

```
config load-balance flow-rule
  edit 22
    set status disable
    set vlan 0
    set ether-type ip
    set protocol udp
    set src-l4port 0-0
    set dst-l4port 4784-4784
    set action forward
    set forward-slot master
    set priority 5
    set comment "Flow Rule for Multihop BFD"
end
```

Flow rules to support IP multicast

IPv4 and IPv6 Multicast traffic cannot be load balanced by NP7 processors and instead is sent to the primary FPM. This is controlled by the following default flow rules:

```
config load-balance flow-rule
  edit 15
    set status enable
    set vlan 0
    set ether-type ipv4
    set src-addr-ipv4 0.0.0.0 0.0.0.0
    set dst-addr-ipv4 224.0.0.0 240.0.0.0
    set protocol any
    set action forward
    set forward-slot master
    set priority 5
    set comment "ipv4 multicast"
  next
  edit 16
    set status enable
    set vlan 0
    set ether-type ipv6
    set src-addr-ipv6 ::/0
    set dst-addr-ipv6 ff00::/8
    set protocol any
    set action forward
    set forward-slot master
    set priority 5
    set comment "ipv6 multicast"
end
```

Controlling SNAT port partitioning behavior

When you set up FortiGate 7000F SNAT configurations using IP pools, the source NAT (SNAT) source ports in the IP pool are distributed evenly among the FPMs. Each FPM gets an equal share of the source ports. For details about how this works and issues that occur, see the Fortinet Community article [Technical Tip: Understanding NAT port allocation on Chassis \(6k/7k\)](#).

You can use the following command to control how the FortiGate 7000F partitions SNAT source ports among FPMs:

```
config load-balance setting
  set nat-source-port {chassis-slots | enabled-slots}
end
```

`chassis-slots` this option statically allocates SNAT source ports to all FPMs that are enabled when you enter the command. If you disable an FPM from the CLI or remove an FPM from its slot, the SNAT source ports assigned to that FPM will not be re-allocated to the remaining FPMs. All FPMs that are still operating will maintain the same SNAT source port allocation and active sessions being processed by the still operating FPMs will not be affected.



You can use the following command to enable or disable an FPM from the CLI:

```
config workers
  edit <slot>
    set status {disable | enable}
  end
```

`enabled-slots` this option dynamically re-distributes SNAT source ports to enabled or installed FPMs. This is the default behavior and is recommended in most cases.

If an FPM is disabled or removed from its slot, SLBC dynamically re-allocates SNAT source ports among the remaining FPMs. This means that all configured SNAT source ports remain available. If SNAT source ports are re-allocated when the FortiGate 7000F is actively processing traffic, some active sessions may be lost if their source ports are allocated to different FPMs.



SNAT source ports are not dynamically reallocated if an FPM is powered off. To re-allocate SNAT source ports, the FPM must be disabled from the CLI or physically removed from its slot.

Showing how the NP7 processors will load balance a session

You can use the following command to display the FPM slot that the NP7 processors are load balance an IPv4 or IPv6 session to. The command also supports normal and pinhole sessions.

```
diagnose load-balance np7-lb {session | session6} find {normal | pinhole} <ip-proto> <src_ip>
  {<src-port> | <icmp-type> | <icmp-typecode>} <dst_ip> {<dst-port> | <icmp-id>}
  <vdom-name> [reverse]
```

Adjusting global NP7 load balancing timers

This section describes the global NP7 timers that you can adjust from the CLI. These timers affect the operation of the NP7 processors in the FIMs that are used for session-aware load balancing.

```
config global
  config system global
    set dp-tcp-normal-timer <timer>
  end
```

`dp-tcp-normal-timer` the time to wait before the NP7 processors close an idle TCP session. The range is 1 to 65535 seconds. The default is 3605 seconds. Some FortiGate 7000F implementations may need to increase this timer if TCP or UDP sessions with NAT enabled are expected to or found to be idle for more than 3605 seconds.

Maximum number of flow rules limited by hardware

For all FortiGate 7000F models, the CLI allows you to add up to 512 flow rules. However, the number of flow rules that you can add is actually limited by the FIM internal switch hardware:

- A FortiGate 7000F with FIM-7941Fs supports up to 492 flow rules.
- A FortiGate 7000F with FIM-7921Fs supports up to 52 flow rules.

SSL VPN load balancing

FortiGate 7000F supports load balancing SSL VPN tunnel mode sessions terminated by the FortiGate 7000F. By default SSL VPN load balancing is disabled and a flow rule is required to send all SSL VPN sessions to one FPM (usually the primary FPM).

To support SSL VPN tunnel load balancing, you must disable all flow rules that match the SSL VPN traffic to be load balanced.

For SSL VPN load balancing to work properly, the NP7 processor load distribution method must be changed to a setting that does not include `src-port`. The following NP7 load distribution methods are supported for SSL VPN load balancing:

```
config load balance setting
  set dp-load-distribution-method {to-master | src-ip | dist-ip | src-dst-ip | dis-ip-
    dport}
end
```

Then you can use the following command to enable SSL VPN load balancing:

```
config load-balance setting
  set sslvpn-load-balance enable
end
```

When you enable SSL VPN load balancing, the FortiGate 7000F restarts SSL VPN processes running on the FIMs and the FPMs, resetting all current SSL VPN sessions. This restart will interrupt any active SSL VPN sessions.

Once the SSL VPN processes restart, the FortiGate 7000F NP7 processor distributes SSL VPN tunnel mode sessions to all of the FPMs.

To be able to distribute SSL VPN sessions to all FPMs, SSL VPN load balancing statically allocates the IP addresses in SSL VPN IP pools among the FPMs. Each FPM acquires a subset of the IP addresses in the IP pool. You may need to expand the number of IP addresses in your SSL VPN IP pools to make sure enough IP addresses are available for each FPM.



SSL VPN IP pool IP addresses are not re-allocated if an FPM goes down, is disabled, or is taken offline. The IP pool IP addresses assigned to the missing FPM are not available until the FPM returns to normal operation.

No other special configuration is required to support SSL VPN tunnel mode load balancing.

For more information on FortiGate 7000F SSL VPN load balancing, see this Fortinet Community article: [Technical Tip : How to load balance SSL VPN web-mode traffic on FortiGate-6000 series.](#)

Setting up SSL VPN using flow rules

As an alternative to SSL VPN load balancing, you can manually add SSL VPN load balancing flow rules to configure the FortiGate 7000F to send all SSL VPN sessions to the primary FPM. To match SSL VPN traffic, the flow rule should include a destination port that matches the destination port of the SSL VPN server. A basic rule to send SSL VPN traffic to the primary FPM could be:

```
config load-balance flow-rule
edit 0
    set status enable
    set ether-type ipv4
    set protocol tcp
    set dst-l4port 443-443
    set forward-slot master
    set comment "ssl vpn server to primary worker"
end
```

This flow rule matches all sessions sent to port 443 (the default SSL VPN server listening port) and sends these sessions to the primary FPM. This should match all your SSL VPN traffic if you are using the default SSL VPN server listening port (443). This flow rule also matches all other sessions using 443 as the destination port so all of this traffic is also sent to the primary FPM.



As a best practice, if you add a flow rule for SSL VPN, Fortinet recommends using a custom SSL VPN port (for example, 10443 instead of 443). This can improve performance by allowing SSL traffic on port 443 that is not part of your SSL VPN to be load balanced to FPMs instead of being sent to the primary FPM by the SSL VPN flow rule.

If you change the SSL VPN server listening port

If you have changed the SSL VPN server listening port to 10443, you can change the SSL VPN flow rule as follows:

```
config load-balance flow-rule
edit 26
    set status enable
    set ether-type ipv4
    set protocol tcp
    set dst-l4port 10443-10443
    set forward-slot master
    set comment "ssl vpn server to primary worker"
end
```

You can also make the SSL VPN flow rule more specific by including the SSL VPN server interface in the flow rule. For example, if your FortiGate 7000F listens for SSL VPN sessions on the 1-P4 interface:

```
config load-balance flow-rule
edit 26
    set status enable
    set ether-type ipv4
    set protocol tcp
    set src-interface 1-P4
    set dst-l4port 10443-10443
    set forward-slot master
    set comment "ssl vpn server to primary worker"
end
```

Adding the SSL VPN server IP address

You can also add the IP address of the FortiGate 7000F interface that receives SSL VPN traffic to the SSL VPN flow rule to make sure that the flow rule only matches the traffic of SSL VPN clients connecting to the SSL VPN server. For example, if the IP address of the interface is 172.25.176.32:

```
config load-balance flow-rule
edit 26
    set status enable
    set ether-type ipv4
    set protocol tcp
    set dst-addr-ipv4 172.25.176.32 255.255.255.255
    set dst-l4port 10443-10443
    set forward-slot master
    set comment "ssl vpn server to primary worker"
end
```

This flow rule will now only match SSL VPN sessions with 172.25.176.32 as the destination address and send all of these sessions to the primary FPM.

IPsec VPN load balancing

FortiGate 7000F uses SLBC load balancing to select an FPM to terminate traffic for a new IPsec VPN tunnel instance and all traffic for that tunnel instance is terminated on the same FPM.

```
config vpn ipsec phase1-interface
  edit <name>
    set ipsec-tunnel-slot {auto | FPM3 | FPM4 | FPM5 | FPM6 | FPM7 | FPM8 | FPM9 | FPM10 |
      FPM11 | FPM12 | master}
  end
```

You can optionally use the IPsec tunnel phase 1 configuration to select a specific FPM to terminate all tunnel instances started by that phase 1. For example, to terminate all tunnels on FPM5:

```
config vpn ipsec phase1-interface
  edit <name>
    set ipsec-tunnel-slot FPM5
  end
```

FortiGate 7000F IPsec VPN supports the following features:

- Interface-based IPsec VPN (also called route-based IPsec VPN).
- Site-to-Site IPsec VPN.
- Dialup IPsec VPN. The FortiGate 7000F can be the dialup server or client.
- Static and dynamic routing (BGP, OSPF, and RIP) over IPsec VPN tunnels.
- When an IPsec VPN tunnel is initialized, the SA is synchronized to all FPMs in the FortiGate 7000F, or in both FortiGate 7000Fs in an HA configuration.
- Traffic between IPsec VPN tunnels is supported when both tunnels terminate on the same FPM.
- When setting up a VRF configuration to send traffic between two IPsec VPN interfaces with different VRFs, both IPsec tunnels must terminate on the same FPM. Use the `ipsec-tunnel-slot` option in each IPsec VPN phase 1-interface configuration to terminate both phase 1s on the same FPM.

FortiGate 7000F IPsec VPN has the following limitations:

- Policy-based IPsec VPN tunnels terminated by the FortiGate 7000F are not supported.
- Policy routes cannot be used for communication over IPsec VPN tunnels.

Configuring IPsec VPN load balancing

FortiGate 7000F IPsec load balancing is tunnel based. You can set the load balance strategy for each tunnel when configuring `phase1-interface` options:

```
config vpn ipsec phase1-interface
  edit <name>
    set ipsec-tunnel-slot {auto | FPM3 | FPM4 | FPM5 | FPM6 | FPM7 | FPM8 | FPM9 | FPM10 |
      FPM11 | FPM12 | master}
  end
```

`auto` the default setting. All tunnels started by this phase 1 are load balanced to an FPM slot based on the `src-ip` and `dst-ip` hash result. All traffic for a given tunnel instance is processed by the same FPM.

`FPM3` to `FPM12` all tunnels started by this phase 1 terminate on the selected FPM.

`master` all tunnels started by this phase 1 terminate on the primary FPM.

Even if you select `master` or a specific FPM, new SAs created by this tunnel are synchronized to all FPMs.

If the IPsec interface includes dynamic routing, the `ipsec-tunnel-slot` option is ignored and all tunnels are terminated on the primary FPM.

SD-WAN with multiple IPsec VPN tunnels

To support SD-WAN with IPsec VPN, the IPsec VPN tunnel configuration of all IPsec VPN tunnels that are members of the same SD-WAN zone in the same VDOM must send traffic to the same FPM. This means the `ipsec-tunnel-slot` configuration of the IPsec VPN tunnel must include a specific FPM. Setting `ipsec-tunnel-slot` to `master` is not recommended, since the primary FPM can change. Setting `ipsec-tunnel-slot` to `auto` is not supported.

Please note the following limitations for this feature:

- Auto negotiation must be enabled in the IPsec VPN phase 2 configuration for all IPsec tunnels added to an SD-WAN zone.
- An SD-WAN zone can include a mixture of IPsec VPN interfaces and other interface types (for example, physical interfaces). If an SD-WAN zone contains an IPsec VPN interface, all traffic accepted by interfaces in that SD-WAN zone is sent to the same FPM, including traffic accepted by other interface types.
- SD-WAN health checking is not supported for IPsec VPN SD-WAN members.
- SD-WAN traffic information, including packet statistics, policy hit counts, and so on is not supported for IPsec VPN SD-WAN members.

Example FortiGate 7000F IPsec VPN VRF configuration

The following shows the basics of how to set up a VRF configuration that allows traffic between two IPsec VPN interfaces with different VRFs on a FortiGate 7000F. To support this configuration, both IPsec tunnels must terminate on the same FPM, in this example, the FPM in slot 5.

Create two VLAN interfaces:

```
config system interface
  edit "v0031"
    set vdom "vrf1"
    set vrf 10
    set ip <ip-address>
    set interface "port1"
    set vlanid 31
  next
  edit "v0032"
    set vdom "vrf1"
    set vrf 11
    set ip <ip-address>
    set interface "port2"
```

```

    set vlanid 32
  next

```

Create two phase1-interface tunnels. Add each tunnel to one of the VLAN interfaces created in step 1. The `ipsec-tunnel-slot` setting for both is FPM5.

```

config vpn ipsec phase1-interface
  edit "p1-v31"
    set interface "v0031"
    set local-gw <ip-address>
    set peertype any
    set proposal 3des-sha256
    set remote-gw <ip-address>
    set psksecret <psk>
    set ipsec-tunnel-slot FPM5
  next
  edit "p1-v32"
    set interface "v0032"
    set local-gw <ip-address>
    set peertype any
    set proposal 3des-sha256
    set remote-gw <ip-address>
    set psksecret <psk>
    set ipsec-tunnel-slot FPM5
  end

```

Edit each IPsec VPN interface and set the VRF ID for each one:

```

config system interface
  edit "p1-v31"
    set vdom "vrf1"
    set vrf 10
    set type tunnel
    set interface "v0031"
  next
  edit "p1-v32"
    set vdom "vrf1"
    set vrf 11
    set type tunnel
    set interface "v0032"
  end

```

Troubleshooting

Use the following commands to verify that IPsec VPN sessions are up and running.

Use the `diagnose load-balance status` command from the primary FIM to determine the primary FPM. For FortiGate-7000 HA, run this command from the primary FortiGate-7000. The third line of the command output shows which FPM is operating as the primary FPM.

```

diagnose load-balance status
=====
Slot: 2  Module SN: FIM21FTB21000042
Primary FPM Blade: slot-3

```

```

Slot 3: FPM20FTB21900053
  Status:Working  Function:Active
  Link:          Base: Up          Fabric: Up
  Heartbeat: Management: Good    Data: Good
  Status Message:"Running"
Slot 4: FPM20FTB21900065
  Status:Working  Function:Active
  Link:          Base: Up          Fabric: Up
  Heartbeat: Management: Good    Data: Good
  Status Message:"Running"

```

```

=====
Current slot: 1  Module SN: FIM21FTB21000015
Primary FPM Blade: slot-3

```

```

Slot 3: FPM20FTB21900053
  Status:Working  Function:Active
  Link:          Base: Up          Fabric: Up
  Heartbeat: Management: Good    Data: Good
  Status Message:"Running"
Slot 4: FPM20FTB21900065
  Status:Working  Function:Active
  Link:          Base: Up          Fabric: Up
  Heartbeat: Management: Good    Data: Good
  Status Message:"Running"

```

Log into the primary FPM CLI and from here log into the VDOM that you added the tunnel configuration to and run the command `diagnose vpn tunnel list name <phase2-name>` to show the sessions for the phase 2 configuration. The command output shows the security association (SA) setup for this phase 2 and all of the destination subnets and the FPM this SA was assigned to.

From the command output, make sure the SA is installed and the `dst` addresses are correct. The IPsec LB line shows that the tunnel is terminated on FPM6.

```

CH15 [FPM04] (002ipsecvpn) # diagnose vpn tunnel list name to-fgt2
list ipsec tunnel by names in vd 11
-----
name=to-fgt2 ver=1 serial=2 4.2.0.1:0->4.2.0.2:0
bound_if=199 lgwy=static/1 tun=intf/0 mode=auto/1 encap=none/40 options[0028]=npu ike_assit
proxyid_num=1 child_num=0 refcnt=8581 ilast=0 olast=0 auto-discovery=0
ike_asssit_last_sent=4318202512
stat: rxp=142020528 txp=147843214 rxb=16537003048 txb=11392723577
dpd: mode=on-demand on=1 idle=20000ms retry=3 count=0 seqno=2
natt: mode=none draft=0 interval=0 remote_port=0
proxyid=to-fgt2 proto=0 sa=1 ref=8560 serial=8
  src: 0:4.2.1.0/255.255.255.0:0 0:4.2.2.0/255.255.255.0:0
  dst: 0:4.2.3.0/255.255.255.0:0 0:4.2.4.0/255.255.255.0:0 0:4.2.5.0/255.255.255.0:0
  SA: ref=7 options=22e type=00 soft=0 mtu=9134 expire=42819/0B replaywin=2048 seqno=4a26f
esn=0 replaywin_lastseq=00045e80
IPsec LB: esp_worker=FPM06 esp_assist_last_sent=4295272912
life: type=01 bytes=0/0 timeout=43148/43200
dec: spi=e89caf36 esp=aes key=16 26aa75c19207d423d14fd6fef2de3bcf
  ah=sha1 key=20 7d1a330af33fa914c45b80c1c96eafaf2d263ce7
enc: spi=b721b907 esp=aes key=16 acb75d21c74eabc58f52ba96ee95587f
  ah=sha1 key=20 41120083d27eb1d3c5c5e464d0a36f27b78a0f5a
dec:pkts/bytes=286338/40910978, enc:pkts/bytes=562327/62082855
npu_flag=03 npu_rgwy=4.2.0.2 npu_lgwy=4.2.0.1 npu_selid=b dec_npuid=3 enc_npuid=1

```

Log into the CLI of any of the FIMs and run the command `diagnose test application fctrlproxyc 2`. The output should show matching destination subnets.

```
diagnose test application fctrlproxyc 2 fctrlproxyc route dump :
```

```
7KF-CH10 [FIM01] (global) # diag test application fctrlproxyc 2
```

```
fcf IKE routes:
```

```
en:0 slot:01 vd:003 t_type:auto dst:4.3.1.0/24, p1-vlan91-a
en:0 slot:01 vd:004 t_type:auto dst:4.2.1.0/24, p1-vlan91-b
en:0 slot:01 vd:005 t_type:auto dst:4.12.5.0/24, FGT1_to_FGT2
en:0 slot:01 vd:005 t_type:auto dst:4.12.8.0/24, FGT1_to_FGT4
en:0 slot:01 vd:069 t_type:auto dst:34.1.4.0/24, p1_v3011
en:0 slot:01 vd:069 t_type:auto dst:34.1.8.0/24, p1_v3013v6
en:0 slot:01 vd:071 t_type:auto dst:34.3.4.0/24, p1_v3031
en:0 slot:01 vd:073 t_type:auto dst:34.4.4.0/24, p1_v3041
en:0 slot:01 vd:073 t_type:auto dst:34.4.9.0/24, p1_v3047
en:0 slot:01 vd:075 t_type:auto dst:34.5.0.52/32, p1_v3055
en:0 slot:01 vd:107 t_type:auto dst:181.1.0.0/16, qd_ag1
en:1 slot:03 vd:075 t_type:dialup dst:34.5.66.201/32, p1_v3056
en:1 slot:07 vd:075 t_type:auto dst:34.5.4.0/24, p1_v3051
en:1 slot:07 vd:075 t_type:dialup dst:34.5.0.82/32, p1_v3058
en:1 slot:07 vd:075 t_type:dialup dst:34.5.0.92/32, p1_v3059
```

```
Statistics:
```

```
FIM01 FIM02 FPM03 FPM04 FPM05 FPM06 FPM07 FPM08 FPM09 FPM10 FPM11 FPM12
  11    0    1    0    0    0    3    0    0    0    0    0
total active routes: 4
total inactive routes: 11
```

FortiGate 7000F high availability

FortiGate 7000F supports the following types of HA operation:

- FortiGate Clustering protocol (FGCP) including virtual clustering.
- Virtual clustering ([Virtual clustering on page 90](#))
- FortiGate Session Life Support Protocol (FGSP) ([FortiGate 7000F FGSP on page 100](#)).
- Standalone configuration synchronization ([Standalone configuration synchronization on page 104](#)).
- Virtual Router Redundancy Protocol (VRRP) ([FortiGate 7000F VRRP HA on page 106](#)).

Introduction to FortiGate 7000F FGCP HA

FortiGate 7000F supports active-passive FortiGate Clustering Protocol (FGCP) HA between two (and only two) identical FortiGate 7000Fs. You can configure FortiGate 7000F HA in much the same way as any FortiGate HA setup except that only active-passive HA is supported.

You must select two interfaces in each chassis to be HA heartbeat interfaces. You can choose from any two of the 100Gbps M1 and M2 interfaces or the 25Gbps M3 and M4 interfaces of the FIMs in slot 1 and 2. You cannot use LAGs for HA heartbeat interfaces. In most cases, using the M3 or M4 interfaces should provide enough bandwidth so the recommended configuration is to use the M3 interface of the FIM in slot1 and the M3 interface of the FIM in slot 2 for HA heartbeat interfaces.

To set up HA heartbeat communication between two FortiGate 7000F chassis you can connect the M3 interface of the FIM in slot 1 of one chassis to the M3 interface of the FIM in slot 1 of the second chassis and repeat these connections for the M3 interface of the FIM in slot 2 of each chassis. These can be direct cable connections or you can use switches.

HA heartbeat traffic uses VLANs. In the HA configuration, the `hbdev-vlan-id` option sets the VLAN for the first HA heartbeat interface and the `hbdev-second-vlan-id` sets the VLAN ID of the second HA heartbeat interface. These VLAN IDs must be different. If you use switches to connect the HA heartbeat interfaces the switches must allow VLAN-tagged packets.

FortiGate 7000F FGCP HA also requires separating session synchronization traffic from HA heartbeat traffic. FortiGate 7000F HA supports configuring one or two interfaces in each chassis to be session synchronization interfaces. The session synchronization interfaces can be physical interfaces or LAGs and your configuration can include both.

The recommended session synchronization configuration is to add two 100Gbps FIM management interfaces to a LAG and configure the HA `session-sync-dev` option to use this LAG for session synchronization. The recommended interfaces to use for this LAG are the M1 interface of the FIM in slot1 and the M1 interface of the FIM in slot 2. You should use a switch to connect the LAGs in the two chassis.



Using LAGs for session sync interfaces has two benefits:

- Session sync traffic is load balanced between the interfaces in the LAG. On the FortiGate 7000F platform, if you configure individual interfaces for session sync, no load balancing takes place. There is only one active interface at a time.
- If one of the interfaces in the LAG fails, in most cases no sessions are lost. Traffic continues to be processed by the LAG, it just contains fewer active interfaces. If you configure individual interfaces for session sync, if the active interface fails, the system takes a short time to re-assign the IP address from the failed interface to the remaining active interface. Some sessions might not be synced to the secondary chassis during this transition.

Session synchronization traffic does not use VLANs. If the HA heartbeat and session synchronization interfaces are connected to the same switch, make sure HA heartbeat and session synchronization traffic is separated.

As part of the FortiGate 7000F HA configuration, you assign each of the FortiGate 7000Fs in the HA cluster a chassis ID of 1 or 2. The chassis IDs just allow you to identify individual FortiGate 7000Fs and do not influence primary unit selection.

If both FortiGate 7000Fs in a cluster are configured with the same chassis ID, both chassis begin operating in HA mode without forming a cluster. A message similar to the following is displayed on the CLI console of both devices:

```
HA cannot be formed because this box's chassis-id 1 is the same from the
HA peer 'F7CF1ATB20000014' chassis-id 1.
```

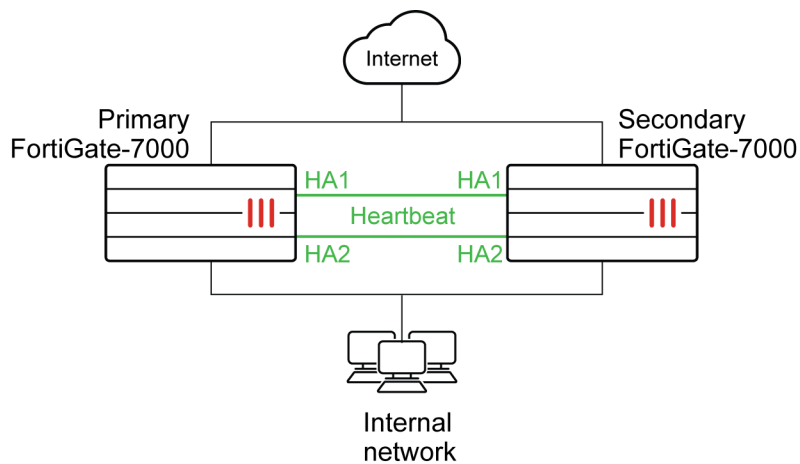


As well, a log message similar to the following is created:

```
Jan 29 16:29:46 10.160.45.70 date=2021-01-29 time=16:29:51 devname="CH-
02" devid="F7CF1ATB20000014" slot=1 logid="0108037904" type="event"
subtype="ha" level="error" vd="mgmt-vdom" eventtime=1580344192162305962
tz="-0800" logdesc="Device set as HA primary" msg="HA group detected
chassis-id conflict" ha_group=7 sn="F7CF1ATB20000014 chassis-id=1"
```

You can resolve this issue by logging into one of the FortiGate 7000Fs and changing its Chassis ID to 2. When this happens, the two chassis will form a cluster.

Example FortiGate 7000F HA configuration



In a FortiGate 7000F FGCP HA configuration, the primary FortiGate 7000F processes all traffic. The secondary FortiGate 7000F operates in hot standby mode. The FGCP synchronizes the configuration, active sessions, routing information, and so on to the secondary FortiGate 7000F. If the primary FortiGate 7000F fails, traffic automatically fails over to the secondary.

Before you begin configuring HA

Before you begin:

- The FortiGate 7000Fs must be running the same FortiOS firmware version.
- Interfaces should be configured with static IP addresses (not DHCP or PPPoE).
- Register and apply licenses to each FortiGate 7000F before setting up the HA cluster. This includes licensing for FortiCare, IPS, AntiVirus, Web Filtering, Mobile Malware, FortiClient, FortiCloud, and additional virtual domains (VDMs).
- Both FortiGate 7000Fs in the cluster must have the same level of licensing for FortiGuard, FortiCloud, FortiClient, and VDMs.
- FortiToken licenses can be added at any time because they are synchronized to all cluster members.
- Both FIMs in both FortiGate 7000Fs in a cluster must have the same log disk and RAID configuration. Use the `execute disk list` command to confirm the log disk configuration of each FIM in each FortiGate 7000F.

Changing the interface configuration before configuring HA

You should configure split interfaces on both FortiGate 7000Fs before forming an FGCP HA cluster. If you decide to change the split interface configuration after forming a cluster, you need to remove the secondary FortiGate 7000F from the cluster and change the split interface configuration on both FortiGate 7000Fs separately. After the FortiGate 7000Fs restart, you can re-form the cluster. This process will cause traffic interruptions.

For information about splitting FIM-7921F interfaces and changing FIM-7921F interface types, see [Changing the FIM-7921F 19 and 20 interfaces on page 28](#).

After changing the interface configurations, check each FortiGate 7000F, make sure configurations of the FIMs and FPMs are synchronized before starting to configure HA. See [Confirming that the FortiGate 7000F HA cluster is synchronized on page 78](#).

Basic FortiGate 7000F HA configuration

Use the following steps to set up HA between two FortiGate 7000Fs. To configure HA, you assign a chassis ID (1 and 2) to each of the FortiGate 7000Fs. These IDs allow the FGCP to identify the chassis and do not influence primary selection. Before you start, determine which FortiGate 7000F should be chassis 1 and which should be chassis 2.

Make sure you give each FortiGate 7000F a different chassis ID. If both FortiGate 7000Fs in a cluster are configured with the same chassis ID, both chassis begin operating in HA mode without forming a cluster. A message similar to the following is displayed on the CLI console of both devices:

```
HA cannot be formed because this box's chassis-id 1 is the same from the
HA peer 'F7CF1ATB20000014' chassis-id 1.
```

As well, a log message similar to the following is created:



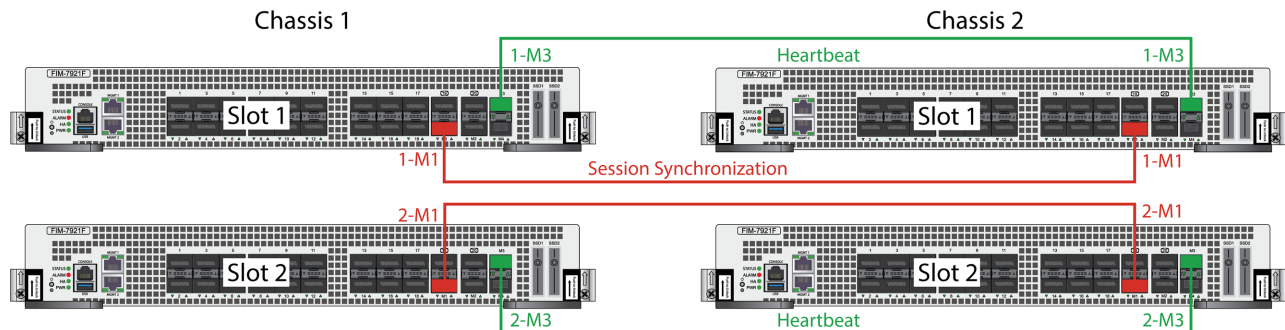
```
Jan 29 16:29:46 10.160.45.70 date=2020-01-29 time=16:29:51 devname="CH-
02" devid="F7CF1ATB20000014" slot=1 logid="0108037904" type="event"
subtype="ha" level="error" vd="mgmt-vdom" eventtime=1580344192162305962
tz="-0800" logdesc="Device set as HA primary" msg="HA group detected
chassis-id conflict" ha_group=7 sn="F7CF1ATB20000014 chassis-id=1"
```

You can resolve this issue by logging into one of the FortiGate 7000Fs and changing its Chassis ID to 2. When this happens, the two chassis will form a cluster.

Before you configure HA, use the `execute disk list` command on each FIM in both FortiGate 7000Fs in the cluster to verify that all of the FIMs have the same disk and RAID configuration. If the RAID configurations are different, when the cluster forms the FortiGate 7000F that would become the secondary will be shut down. You can use the `execute disk format` command to format the disks and the `execute disk raid` command to set both FortiGates to the same RAID mode.

1. Select two FIM management interfaces to use as HA heartbeat interfaces. For example you could use the M3 interface of the FIM in slot 1 and the M3 interface of the FIM in slot 2.
Connect the HA heartbeat interfaces as follows:
 - a. Connect the M3 interfaces of the FIMs in chassis slot 1 together. You can use a direct cable connection or a switch. If using a switch, the switch must allow VLANs. In this example, the M3 interfaces are directly connected and the first HA heartbeat interface uses VLAN ID 4092.
 - b. Connect the M3 interfaces of the FIMs in chassis slot 2 together. You can use a direct cable connection or a switch. If using a switch, the switch must allow VLANs. In this example, the M3 interfaces are directly connected and the second HA heartbeat interface uses VLAN ID 4091.
2. Select two or more interfaces to use for session synchronization. For example, you could use the M1 interface of the FIM in slot 1 and the M1 interface of the FIM in slot 2.
Connect the session synchronization interfaces as follows:

- a. Connect the M1 interfaces of the FIMs in chassis slot 1 together. You can use a direct cable connection or a switch. Session synchronization traffic does not use VLANs. In this example, the M1 interfaces are directly connected.
- b. Connect the M1 interfaces of the FIMs in chassis slot 2 together. You can use a direct cable connection or a switch. Session synchronization traffic does not use VLANs. In this example, the M1 interfaces are directly connected.



For more HA heartbeat and session synchronization scenarios, see [Example HA heartbeat and session synchronization configurations on page 80](#).

3. Log into the GUI or CLI of the FIM in slot 1 of the FortiGate 7000F that will become chassis 1. Usually you would do this by connecting the management IP address of the MGMT-1 interface of the FIM in slot 1.
4. Use the following CLI command to change the host name. This step is optional, but setting a host name makes the FortiGate 7000F easier to identify after the cluster has formed.

```
config system global
  set hostname 7KF-Chassis-1
end
```

From the GUI you can configure the host name by going to **System > Settings** and changing the **Host name**.

5. Enter the following command to configure basic HA settings for the chassis 1 FortiGate 7000F:

```
config system ha
  set group-id <id>
  set group-name My-7KF-Cluster
  set mode a-p
  set hbdev 1-M3 100 2-M3 100
  set chassis-id 1
  set hbdev-vlan-id 4092
  set hbdev-second-vlan-id 4091
  set session-sync-dev 1-M1 2-M1
  set session-pickup enable
  set session-pickup-connectionless enable
  set session-pickup-expectation enable
  set password <password>
end
```

From the GUI you can configure HA by going to **System > HA**. Set the **Mode** to **Active-Passive**, set the **Group Name**, add a **Password**, select the **Chassis identifier** (or chassis ID) to 1, enable **Session Pickup**, set 1-M3 and 2-M3 as the **Heartbeat Interfaces**, and set the **Heartbeat Interface Priority** for both heartbeat interfaces to 100. You must configure other settings from the CLI.

6. Log into the chassis 2 FortiGate 7000F and configure its host name, for example:

```
config system global
  set hostname 7KF-Chassis-2
```

end

From the GUI you can configure the host name by going to **System > Settings** and changing the **Host name**.

7. Enter the following command to configure basic HA settings. The configuration must be the same as the chassis 1 configuration, except for the chassis ID.

```
config system ha
  set group-id <id>
  set group-name My-7KF-Cluster
  set mode a-p
  set hbdev 1-M3 100 2-M3 100
  set chassis-id 2
  set hbdev-vlan-id 4092
  set hbdev-second-vlan-id 4091
  set session-sync-dev 1-M1 2-M1
  set session-pickup enable
  set session-pickup-connectionless enable
  set session-pickup-expectation enable
  set password <password>
end
```

From the GUI you can configure HA by going to **System > HA**. Set the **Mode** to **Active-Passive**, set the **Group Name**, add a **Password**, select the **Chassis identifier** (or chassis ID) to 2, enable **Session Pickup**, set 1-M3 and 2-M3 as the **Heartbeat Interfaces**, and set the **Heartbeat Interface Priority** for both heartbeat interfaces to 100. You must configure other settings from the CLI.

Once you save your configuration changes, if the HA heartbeat and session synchronization interfaces are connected, the FortiGate 7000Fs negotiate to establish a cluster. You may temporarily lose connectivity with the FortiGate 7000Fs as the cluster negotiates and the FGCP changes the MAC addresses of the FortiGate 7000F interfaces.

8. Log into the cluster and view the HA Status dashboard widget or enter the `get system ha status` command to confirm that the cluster has formed and is operating normally.

If the cluster is operating normally, you can connect network equipment, add your configuration, and start operating the cluster.

Verifying that the cluster is operating normally

You view the cluster status from the HA Status dashboard widget, by going to **System > HA**, or by using the `get system ha status` command.

If the HA Status widget or the `get system ha status` command shows a cluster has not formed, check the HA heartbeat and session synchronization connections.

You should also review the HA configurations of the FortiGate 7000Fs. When checking the configurations, make sure both FortiGate 7000Fs have the same HA configuration, including identical HA group IDs, group names, passwords, and HA heartbeat and session synchronization VLAN IDs. Also make sure the FortiGate 7000Fs have different chassis IDs.

Confirming that the FortiGate 7000F HA cluster is synchronized

After an HA cluster is up and running, you can use the HA Status dashboard widget to view status information about the cluster. You can also use the `get system ha status` command to confirm that the cluster is operating normally. As highlighted below, the command shows the HA health status, describes how the current primary FortiGate 7000F was

selected, shows if the configuration is synchronized (configuration status), and indicates the serial numbers of the primary and secondary FortiGate 7000Fs.

```
get system ha status
HA Health Status: OK
...
Primary selected using:
  <2019/09/23 12:56:53> FG74E43E17000073 is selected as the primary because it has the
largest value of override priority.
...

Configuration Status:
  F7CF1ATB20000014(updated 2 seconds ago): in-sync
  F7CF1ATB20000014chksum dump: 0b 16 f2 e4 e2 89 eb a1 bf 8f 15 9b e1 4e 3b f2
  F7CF1ATB20000065(updated 4 seconds ago): in-sync
  F7CF1ATB20000065 chksum dump: 0b 16 f2 e4 e2 89 eb a1 bf 8f 15 9b e1 4e 3b f2
...
Primary: F7CF1ATB20000014, operating cluster index = 0
Secondary: F7CF1ATB20000065, operating cluster index = 1
```

For a FortiGate 7000F HA cluster to operate normally, the configurations of both FortiGate 7000Fs and the FIMs and FPMs in these devices must be synchronized. The `Configuration Status` information provided by the `get system ha status` command is a useful indicator of synchronization status of the cluster. The information provided indicates whether the FortiGate 7000Fs in the cluster are `in-sync` (or `out-of-sync`) and includes checksums of each FortiGate 7000F configuration. If the two FortiGate 7000Fs are synchronized, these checksums must match.

Viewing more details about HA cluster synchronization

You can use the `diagnose sys ha checksum show` command to display the debugzone and configuration checksums for the FortiGate 7000F in the cluster that you have logged in to.

```
diagnose sys ha checksum show
is_manage_primary()=1, is_root_primary()=1
debugzone
global: 7e 06 79 02 65 a9 ea e3 68 58 73 c2 33 d0 16 f1
root: 43 2c ee 2c f1 b3 b2 13 ff 37 34 5e 86 11 dc bf
mgmt-vdom: 9c 7d 58 9f 81 4b b7 4e ed 2a c3 02 34 b4 7c 63
all: 0b 16 f2 e4 e2 89 eb a1 bf 8f 15 9b e1 4e 3b f2

checksum
global: 7e 06 79 02 65 a9 ea e3 68 58 73 c2 33 d0 16 f1
root: 43 2c ee 2c f1 b3 b2 13 ff 37 34 5e 86 11 dc bf
mgmt-vdom: 9c 7d 58 9f 81 4b b7 4e ed 2a c3 02 34 b4 7c 63
all: 0b 16 f2 e4 e2 89 eb a1 bf 8f 15 9b e1 4e 3b f2
```

The first line of this example output indicates that the command is displaying information for the primary FortiGate 7000F. This command output then shows debugzone and checksum information for the primary FIM. You can verify that the primary FIM is synchronized because both sets of checksums match.

Each set of checksums includes a checksum for the global configuration, for each VDOM (in this case there are two VDOMs: `root` and `mgmt-vdom`), and a checksum for the complete configuration (`all`).

You can use the `diagnose sys ha checksum cluster` command to display the debugzone and configuration checksums for both FortiGate 7000Fs in the cluster. The command output also indicates which FortiGate 7000F is the

primary (`is_manage_primary()=1`) and the secondary (`is_manage_primary()=0`). If the cluster is synchronized, both FortiGate 7000Fs will have the same checksums.

```
diagnose sys ha checksum cluster
```

```
===== F7CF1ATB20000014 =====

is_manage_primary()=1, is_root_primary()=1
debugzone
global: 7e 06 79 02 65 a9 ea e3 68 58 73 c2 33 d0 16 f1
root: 43 2c ee 2c f1 b3 b2 13 ff 37 34 5e 86 11 dc bf
mgmt-vdom: 9c 7d 58 9f 81 4b b7 4e ed 2a c3 02 34 b4 7c 63
all: 0b 16 f2 e4 e2 89 eb a1 bf 8f 15 9b e1 4e 3b f2

checksum
global: 7e 06 79 02 65 a9 ea e3 68 58 73 c2 33 d0 16 f1
root: 43 2c ee 2c f1 b3 b2 13 ff 37 34 5e 86 11 dc bf
mgmt-vdom: 9c 7d 58 9f 81 4b b7 4e ed 2a c3 02 34 b4 7c 63
all: 0b 16 f2 e4 e2 89 eb a1 bf 8f 15 9b e1 4e 3b f2
```

```
===== F7CF1ATB20000065 =====

is_manage_primary()=0, is_root_primary()=0
debugzone
global: 7e 06 79 02 65 a9 ea e3 68 58 73 c2 33 d0 16 f1
root: 43 2c ee 2c f1 b3 b2 13 ff 37 34 5e 86 11 dc bf
mgmt-vdom: 9c 7d 58 9f 81 4b b7 4e ed 2a c3 02 34 b4 7c 63
all: 0b 16 f2 e4 e2 89 eb a1 bf 8f 15 9b e1 4e 3b f2

checksum
global: 7e 06 79 02 65 a9 ea e3 68 58 73 c2 33 d0 16 f1
root: 43 2c ee 2c f1 b3 b2 13 ff 37 34 5e 86 11 dc bf
mgmt-vdom: 9c 7d 58 9f 81 4b b7 4e ed 2a c3 02 34 b4 7c 63
all: 0b 16 f2 e4 e2 89 eb a1 bf 8f 15 9b e1 4e 3b f2
```

Finally, you can also log into the CLI of each FortiGate 7000F in the cluster and use the `diagnose sys confsync showchecksum` command to confirm that the configurations of the FIMs and FPMs in each FortiGate 7000F are synchronized.

The output of the command will also show that the ha checksums are the same for both FortiGate 7000Fs, but the confsync checksums are different. This occurs because some parts of the configuration are not synchronized by HA so each FortiGate 7000F will have a different configuration and different confsync checksums.

See [Viewing more details about FortiGate 7000F synchronization on page 41](#) for details about the `diagnose sys confsync showchecksum` command.

Example HA heartbeat and session synchronization configurations

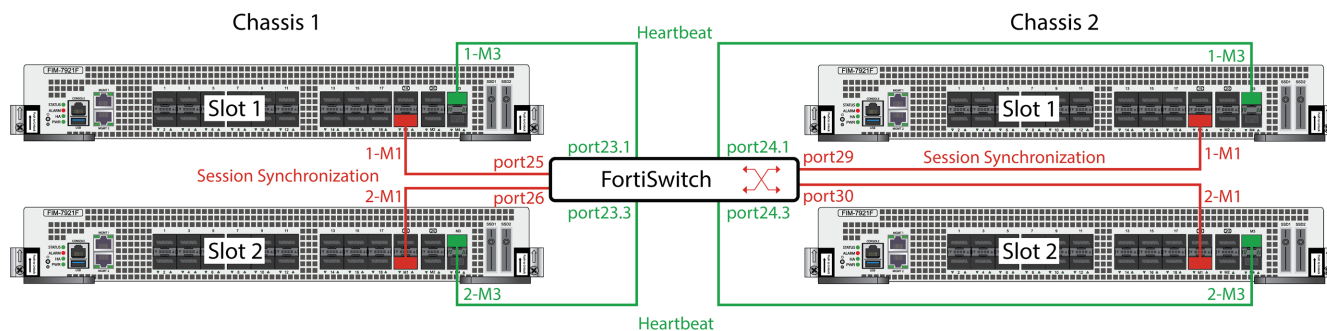
This section contains two example scenarios for establishing HA heartbeat and session synchronization communication between two FortiGate 7000F chassis in an HA cluster.

Using M3 interfaces for HA heartbeat and M1 interfaces for session synchronization

This example shows how to set up the following HA heartbeat and session synchronization connections between two FortiGate 7121F chassis:

- Redundant HA heartbeat communication over the 1-M3 and 2-M3 interfaces of each chassis. The HA heartbeat interfaces are connected together with a FortiSwitch.
- Redundant session synchronization over the 1-M1 and 2-M1 interfaces of each chassis. The session synchronization interfaces are connected together with a FortiSwitch.

This example uses a single FortiSwitch. You can use any compatible switch configuration. For example, you could improve redundancy by using separate switches for each HA heartbeat and session synchronization. You could also separate switches for each HA heartbeat and each session synchronization channel.



FortiGate 7121F HA configuration

Chassis 1 would have the following HA configuration:

```
config system ha
  set group-id <id>
  set group-name <name>
  set mode a-p
  set hbdev 1-M3 100 2-M3 100
  set chassis-id 1
  set hbdev-vlan-id 4092
  set hbdev-second-vlan-id 4091
  set session-sync-dev 1-M1 2-M1
  set session-pickup enable
  set session-pickup-connectionless enable
  set session-pickup-expectation enable
  set password <password>
end
```

Chassis 2 would have the following HA configuration:

```
config system ha
  set group-id <id>
  set group-name <name>
  set mode a-p
  set hbdev 1-M3 100 2-M3 100
  set chassis-id 2
  set hbdev-vlan-id 4092
  set hbdev-second-vlan-id 4091
  set session-sync-dev 1-M1 2-M1
```

```
set session-pickup enable
set session-pickup-connectionless enable
set session-pickup-expectation enable
set password <password>
end
```

HA heartbeat switch configuration

The FortiSwitch has the following configuration for the HA heartbeat interfaces:

Switch interface port23.1 is connected to the 1-M3 interface of chassis 1.

```
config switch interface
edit port23.1
set native-vlan 295
set allowed-vlans 4092
set auto-discovery-fortilink enable
set snmp-index 23
end
```

Switch interface port23.3 is connected to the 2-M3 interface of chassis 1.

```
config switch interface
edit port23.3
set native-vlan 294
set allowed-vlans 4091
set stp-state disabled
set auto-discovery-fortilink enable
set snmp-index 59
end
```

Switch interface port24.1 is connected to the 1-M3 interface of chassis 2.

```
config switch interface
edit port24.1
set native-vlan 295
set allowed-vlans 4092
set auto-discovery-fortilink enable
set snmp-index 24
end
```

Switch interface port24.3 is connected to the 2-M3 interface of chassis 2.

```
config switch interface
edit port24.3
set native-vlan 294
set allowed-vlans 4091
set stp-state disabled
set auto-discovery-fortilink enable
set snmp-index 48
end
```

Session synchronization switch configuration

The FortiSwitch has the following configuration for the session synchronization interfaces:

Switch interface port25 is connected to the 1-M1 interface of chassis 1.

```
config switch interface
```

```
edit port25
  set native-vlan 297
  set snmp-index 25
end
```

Switch interface port26 is connected to the 1-M1 interface of chassis 2.

```
config switch interface
  edit port26
    set native-vlan 297
    set snmp-index 26
  end
```

Switch interface port29 is connected to the 2-M1 interface of chassis 1.

```
config switch interface
  edit port29
    set native-vlan 298
    set snmp-index 29
  end
```

Switch interface port30 is connected to the 2-M1 interface of chassis 2.

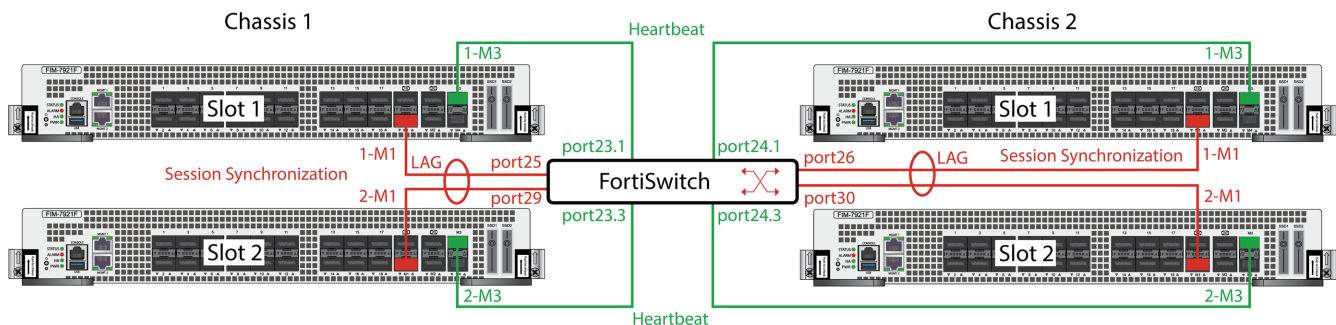
```
config switch interface
  edit port30
    set native-vlan 298
    set snmp-index 30
  end
```

Using M3 interfaces for HA heartbeat and M1 interfaces in a LAG for session synchronization

This example shows how to set up the following HA heartbeat and session synchronization connections between two FortiGate 7121F chassis:

- Redundant HA heartbeat communication over the 1-M3 and 2-M3 interfaces of each chassis. The HA heartbeat interfaces are connected together with a FortiSwitch.
- Session synchronization over a LAG consisting of the 1-M1 and 2-M1 interfaces of each chassis. The session synchronization LAGs are also connected together with a FortiSwitch.

This example uses FortiSwitches, but you can use any compatible switch configuration.



FortiGate 7121F HA configuration

On both chassis, create the following LAG for session synchronization communication:

```
config system interface
  edit MLAG
    set type aggregate
    set member 1-M1 2-M1
  end
```

Chassis 1 would have the following HA configuration:

```
config system ha
  set group-id <id>
  set group-name <name>
  set mode a-p
  set hbdev 1-M3 100 2-M3 100
  set chassis-id 1
  set hbdev-vlan-id 4092
  set hbdev-second-vlan-id 4091
  set session-sync-dev MLAG
  set session-pickup enable
  set session-pickup-connectionless enable
  set session-pickup-expectation enable
  set password <password>
end
```

Chassis 2 would have the following HA configuration:

```
config system ha
  set group-id <id>
  set group-name <name>
  set mode a-p
  set hbdev 1-M3 100 2-M3 100
  set chassis-id 2
  set hbdev-vlan-id 4092
  set hbdev-second-vlan-id 4091
  set session-sync-dev MLAG
  set session-pickup enable
  set session-pickup-connectionless enable
  set session-pickup-expectation enable
  set password <password>
end
```

HA heartbeat switch configuration

The FortiSwitch has the following configuration for the HA heartbeat interfaces:

Switch interface port23.1 is connected to the 1-M3 interface of chassis 1.

```
config switch interface
  edit port23.1
    set native-vlan 295
    set allowed-vlans 4092
    set auto-discovery-fortilink enable
    set snmp-index 23
  end
```

Switch interface port23.3 is connected to the 2-M3 interface of chassis 1.

```
config switch interface
  edit port23.3
    set native-vlan 294
```

```
    set allowed-vlans 4091
    set stp-state disabled
    set auto-discovery-fortilink enable
    set snmp-index 59
end
```

Switch interface port24.1 is connected to the 1-M3 interface of chassis 2.

```
config switch interface
  edit port24.1
    set native-vlan 295
    set allowed-vlans 4092
    set auto-discovery-fortilink enable
    set snmp-index 24
  end
```

Switch interface port24.3 is connected to the 2-M3 interface of chassis 2.

```
config switch interface
  edit port24.3
    set native-vlan 294
    set allowed-vlans 4091
    set stp-state disabled
    set auto-discovery-fortilink enable
    set snmp-index 48
end
```

Session synchronization switch configuration

The FortiSwitch has the following configuration for the session synchronization interfaces:

Create the following trunk for the Chassis 1 LAG:

```
config switch trunk
  edit CH1_13_Mlag
    set mode lacp-active
    set members port25 port29
  end
```

Create the following trunk for the Chassis 2 LAG:

```
config switch trunk
  edit CH2_11_Mlag
    set mode lacp-active
    set members port26 port30
  end
```

Configure the Chassis 1 LAG trunk interface:

```
config switch interface
  edit CH1_12_MLag
    set native-vlan 297
    set snmp-index 46
  end
```

Configure the Chassis 2 LAG trunk interface:

```
config switch interface
  edit CH2_11_Mlag
    set native-vlan 297
    set snmp-index 51
```

end

Primary FortiGate 7000F selection with override disabled (default)

FortiGate 7000F FGCP selects the primary FortiGate 7000F based on [standard FGCP primary unit selection](#) and also accounting for the number of failed FPMs. The selection sequence is:

- set-as-master/set-as-slave
- At least one active FPM
- Failed FIMs
- Failed monitored interfaces
- Failed FPMs
- Age
- Device priority
- Serial number

In most cases and with default settings, if everything is connected and operating normally, the FortiGate 7000F with the highest serial number becomes the primary FortiGate 7000F. You can set the device priority higher on one of the FortiGate 7000Fs if you want it to become the primary FortiGate 7000F.

The selection sequence also shows that at least one FPM must be active for a FortiGate 7000F to be selected to be the primary. If at least one FPM is active on each FortiGate 7000F, the most important criteria is the number of operating FIMs, followed by the number of connected monitored interfaces, and followed by the number of failed FPMs. So if one or more FPMs fail, if both FIMs are operating and if monitored interfaces are not configured or no monitored interface has become disconnected, the primary FortiGate 7000F will be the one with the most active FPMs.

Primary FortiGate 7000F selection with override enabled

With override enabled, FortiGate 7000F FGCP selects the primary FortiGate 7000F based on [standard FGCP primary unit selection with override enabled](#) and also accounting for the number of failed FIMs and FPMs. The selection sequence is:

- set-as-master/set-as-slave
- At least one active FPM
- Failed FIMs
- Failed monitored interfaces
- Failed FPMs
- Device priority
- Age
- Serial number

Enabling override and adjusting the device priority means that the FortiGate 7000F with the highest device priority becomes the primary FortiGate 7000F as long as both FIMs are operating, monitored interfaces are not configured, no monitored interface has become disconnected, and both FortiGate 7000Fs have the same number of failed FPMs. Enabling override causes the cluster to negotiate more often to make sure that the FortiGate 7000F with the highest device priority always becomes the primary FortiGate 7000F.

Failover protection

FortiGate 7000F HA supports failover protection to provide FortiOS services even when one of the FortiGate 7000Fs encounters a problem that would result in partial or complete loss of connectivity or reduced performance for a standalone FortiGate 7000F. This failover protection provides a backup mechanism that can be used to reduce the risk of unexpected downtime, especially in a mission-critical environment.

To achieve failover protection in a FortiGate 7000F cluster, one of the FortiGate 7000Fs functions as the primary, processing traffic and the other as the secondary, operating in an active stand-by mode. The cluster IP addresses and HA virtual MAC addresses are associated with the interfaces of the primary. All traffic directed at the cluster is actually sent to and processed by the primary.

While the cluster is functioning, the primary FortiGate 7000F functions as the FortiGate network security device for the networks that it is connected to. In addition, the primary FortiGate 7000F and the secondary FortiGate 7000F use the HA heartbeat to keep in constant communication. The secondary FortiGate 7000F reports its status to the primary FortiGate 7000F and receives and stores connection and state table updates from the primary FortiGate 7000F.

FortiGate 7000F HA supports four kinds of failover protection:

- Device failure protection automatically replaces a failed device and restarts traffic flow with minimal impact on the network.
- FIM failure protection makes sure that traffic is processed by the FortiGate 7000F with the most operating FIMs.
- Link failure protection maintains traffic flow if a link fails.
- FPM failure protection makes sure that traffic is processed by the FortiGate 7000F with the most operating FPMs.
- Session failure protection resumes communication sessions with minimal loss of data if a device, module, or link failure occurs.

Device failure

If the primary FortiGate 7000F encounters a problem that is severe enough to cause it to fail, the secondary FortiGate 7000F becomes new primary FortiGate 7000F. This occurs because the secondary FortiGate 7000F is constantly waiting to negotiate to become primary FortiGate 7000F. Only the heartbeat packets sent by the primary FortiGate 7000F keep the secondary FortiGate 7000F from becoming the primary FortiGate 7000F. Each received heartbeat packet resets a negotiation timer in the secondary FortiGate 7000F. If this timer is allowed to run out because the secondary FortiGate 7000F does not receive heartbeat packets from the primary FortiGate 7000F, the secondary FortiGate 7000F assumes that the primary FortiGate 7000F has failed and becomes the primary FortiGate 7000F.

The new primary FortiGate 7000F will have the same MAC and IP addresses as the former primary FortiGate 7000F. The new primary FortiGate 7000F then sends gratuitous ARP packets out all of its connected interfaces to inform attached switches to send traffic to the new primary FortiGate 7000F. Sessions then resume with the new primary FortiGate 7000F.

FIM failure

If one or more FIMs in the primary FortiGate 7000F fails, the cluster renegotiates and the FortiGate 7000F with the most operating FIMs becomes the primary FortiGate 7000F. An FIM failure can occur if the FIM shuts down due to a software crash or hardware problem, or if the FIM is manually shut down or even removed from the chassis.

After the primary FortiGate 7000F experiences an FIM failure, the FortiGate 7000F with the most operating FIMs becomes the new primary FortiGate 7000F. The new primary FortiGate 7000F sends gratuitous arp packets out all of its connected interfaces to inform attached switches to send traffic to it. Sessions then resume with the new primary FortiGate 7000F.

If the secondary FortiGate 7000F experiences an FIM failure, its status in the cluster does not change. However, in future negotiations the FortiGate 7000F with an FIM failure is less likely to become the primary FortiGate 7000F.

Link failure

If your HA configuration includes HA interface monitoring, if a primary FortiGate 7000F interface fails or is disconnected while a cluster is operating, a link failure occurs. When a link failure occurs, the FortiGate 7000Fs in the cluster negotiate to select a new primary FortiGate 7000F. The link failure means that a that primary FortiGate 7000F with the most link failures will become the secondary and the FortiGate 7000F with the fewest link failures becomes the primary FortiGate 7000F.

Just as for a device failover, the new primary FortiGate 7000F sends gratuitous arp packets out all of its connected interfaces to inform attached switches to send traffic to it. Sessions then resume with the new primary FortiGate 7000F.

If the secondary FortiGate 7000F experiences a link failure, its status in the cluster does not change. However, in future negotiations a FortiGate 7000F with a link failure is less likely to become the primary FortiGate 7000F.

If one of the FortiGate 7000Fs experiences an FIM or FPM failure and the other experiences a link failure, the FortiGate 7000F with the most operating FIMs or FPMs becomes the primary FortiGate 7000F, even if it is also experiencing a link failure.

FPM failure

If one or more FPMs in the primary FortiGate 7000F fails, the cluster renegotiates and the FortiGate 7000F with the most operating FPMs becomes the primary FortiGate 7000F. An FPM failure can occur if the FPM shuts down due to a software crash or hardware problem, or if the FPM is manually shut down or even removed from the chassis.

After the primary FortiGate 7000F experiences an FIM failure, the FortiGate 7000F with the most operating FPMs becomes the new primary FortiGate 7000F. The new primary FortiGate 7000F sends gratuitous arp packets out all of its connected interfaces to inform attached switches to send traffic to it. Sessions then resume with the new primary FortiGate 7000F.

If the secondary FortiGate 7000F experiences an FPM failure, its status in the cluster does not change. However, in future negotiations the FortiGate 7000F with an FPM failure is less likely to become the primary FortiGate 7000F.

Session failover

FortiGate 7000F session synchronization involves the primary FortiGate 7000F informing the secondary FortiGate 7000F of changes to the primary FortiGate 7000F connection and state tables, keeping the secondary FortiGate 7000F up-to-date with the traffic currently being processed by the cluster.

Session synchronization traffic uses the M1 and M2 interfaces. FortiGate 7000F does not support using the `session-sync-dev` option to use data interfaces for session synchronization. The M1 and M2 interfaces provide enough bandwidth for both HA heartbeat and session synchronization traffic, so additional session synchronization devices are

not required. As well, keeping session synchronization traffic on the M1 and M2 interfaces separates session synchronization traffic from data traffic.

After an HA failover, because of session synchronization the new primary FortiGate 7000F recognizes open sessions that were being handled by the cluster. The sessions continue to be processed by the new primary FortiGate 7000F and are handled according to their last known state.

Primary FortiGate 7000F recovery

If a primary FortiGate 7000F recovers after a device, FIM, link, or FPM failure, it will operate as the secondary FortiGate 7000F. If `override` is enabled; however, when the FortiGate 7000F recovers, the cluster will renegotiate and the FortiGate 7000F with the highest device priority becomes the primary FortiGate 7000F.

HA reserved management interfaces

You can edit an HA cluster and configure one or more of the interfaces in the `mgmt-vdom` VDOM (mgmt1, mgmt2, and M1 to M4) to be HA reserved management interfaces. You can then log into each FortiGate 7000F in the cluster and configure its reserved management interfaces with IP addresses and other custom interface settings as required. You can also configure routing for each reserved management interface. The result is that each FortiGate 7000F in the cluster has its own management interface or interfaces and each of these interfaces has its own IP address that is not synchronized to the other FortiGate 7000F in the cluster.

To configure an HA reserved management interface from the GUI, go to **System > HA** and enable **Management Interface Reservation**. Select one or more interfaces to be HA reserved management interfaces. Optionally configure routing for each reserved management interface. This routing configuration is not synchronized and can be configured separately for each FortiGate 7000F in the cluster.

To configure an HA reserved management interface from the CLI:

```
config system ha
  set mode a-p
  set ha-mgmt-status enable
  set ha-direct enable
  config ha-mgmt-interfaces
    edit 0
      set interface <interface>
      set dst <destination-ip>
      set gateway <gateway-ip>
      set gateway6 <gateway-ipv6-ip>
    end
  end
```

Enabling `ha-direct` from the CLI is required if you plan to use the HA reserved management interface for SNMP, remote logging, or communicating with FortiSandbox. Enabling `ha-direct` is also required for some types of remote authentication, but is not required for RADIUS remote authentication.

<interface> can be mgmt1, mgmt2, or mgmt3. You can only select an interface if it has not been used in another configuration.

For more information, see [Out-of-band management](#).

For more information, see [Out-of-band management](#).

HA in-band management for management interfaces

The FortiGate 7000F now supports [FGCP HA in-band management](#) for FortiGate 7000F management interfaces (mgmt1 and mgmt2).

HA in-band management allows you to add a second management IP address to one or more FortiGate 7000F management interfaces. The management IP address is accessible from the network that the interface is connected to. This setting is not synchronized, so each FortiGate 7000F in the cluster can have their own in-band management IP addresses; providing management access to the secondary FortiGate 7000F.



FortiGate 7000F does not support HA in-band management for data interfaces.

HA in-band management configuration.

```
config vdom
  edit mgmt-vdom
    config system interface
      edit {1-mgmt1 | 1-mgmt2 | 2-mgmt1 | 2-mgmt2}
        set management-ip <ip address>
      end
    end
```

The `management-ip` option is available only when HA is enabled.

To support HA in-band management, the FortiGate 7000F handles [HA virtual MAC addresses](#) in the same way as other FortiGates.

Virtual clustering

A virtual cluster consists of two FortiGate 7000Fs operating in active-passive HA mode with Multi VDOM mode enabled. Virtual clustering is an extension of FGCP HA that uses VDOM partitioning to send traffic for some VDOMs to the primary FortiGate 7000F and traffic for other VDOMs to the secondary FortiGate 7000F. Distributing traffic between the FortiGate 7000Fs in a virtual cluster is similar to load balancing and can potentially improve overall throughput. You can adjust VDOM partitioning at any time to optimize traffic distribution without interrupting traffic flow.

VDOM partitioning distributes VDOMs between two virtual clusters (virtual cluster 1 and virtual cluster 2). When configuring virtual clustering you would normally set the device priority of virtual cluster 1 higher for the primary FortiGate 7000F and the device priority of virtual cluster 2 higher for the secondary FortiGate 7000F. With this configuration, all traffic in the VDOMs in virtual cluster 1 is processed by the primary FortiGate 7000F and all traffic in the VDOMs in virtual cluster 2 is processed by the secondary FortiGate 7000F. The FGCP selects the primary and secondary FortiGate 7000F whenever the cluster negotiates. The primary FortiGate 7000F can dynamically change based on FGCP HA primary unit selection criteria.

If a failure occurs and only one FortiGate 7000F continues to operate, all traffic fails over to that FortiGate 7000F, similar to normal FGCP HA. When the failed FortiGate 7000F rejoins the cluster, the configured traffic distribution is restored.

For more information about virtual clustering see [HA virtual cluster setup](#).



If you don't want active-passive virtual clustering to distribute traffic between FortiGate 7000Fs, you can configure VDOM partitioning to send traffic for all VDOMs to the primary FortiGate 7000F. The result is the same as standard active-passive FCGP HA, all traffic is processed by the primary FortiGate 7000F.

Virtual clustering creates a cluster between instances of each VDOM on the two FortiGate 7000Fs in the virtual cluster. All traffic to and from a given VDOM is sent to one of the FortiGate 7000Fs where it stays within its VDOM and is only processed by that VDOM. One FortiGate 7000F is the primary FortiGate 7000F for each VDOM and one FortiGate 7000F is the secondary FortiGate 7000F for each VDOM. The primary FortiGate 7000F processes all traffic for its VDOMs. The secondary FortiGate 7000F processes all traffic for its VDOMs.

The HA heartbeat and session synchronization provides the same HA services in a virtual clustering configuration as in a standard HA configuration. One set of HA heartbeat interfaces and one session synchronization LAG provides HA heartbeat services for all of the VDOMs in the cluster. You do not have to add a heartbeat interface or session synchronization LAG for each VDOM.

Limitations of FortiGate 7000F virtual clustering

FortiGate 7000F virtual clustering includes the following limitations:

- Virtual clustering supports two FortiGate 7000Fs only.
- Active-passive HA mode is supported, active-active HA is not.
- The root and mgmt-vdom VDOMs must be in virtual cluster 1 (also called the primary virtual cluster).
- A VLAN must be in the same virtual cluster as the physical interface or LAG that the VLAN has been added to. The VLAN can be in the same VDOM as its physical interface or LAG or in a different VDOM, as long as both VDOMs are in the same virtual cluster.
- The interfaces that are created when you add an inter-VDOM link must be in the same virtual cluster as the inter-VDOM link. You can change the virtual cluster that an inter-VDOM link is in by editing the inter-VDOM link and changing the `vcluster` setting.

Virtual clustering VLAN/VDOM limitation

In a FortiGate 7000F virtual clustering configuration, a VLAN must be in the same virtual cluster as the physical interface, LAG, or redundant interface that the VLAN has been added to. The VLAN can be in the same VDOM as its physical interface, LAG, or redundant interface or in a different VDOM, as long as both VDOMs are in the same virtual cluster.

If virtual clustering has already been set up, when adding VLANs, GUI and CLI error checking prevents you from adding a VLAN to a VDOM that is in a different virtual cluster than the physical interface, LAG, or redundant interface that you are attempting to add the VLAN to. However, error checking can't prevent this problem if you configure the VLANs before setting up virtual clustering or if you move VDOMs to different virtual clusters after adding the VLANs.

A recommended strategy for preventing this problem could involve the following steps:

1. Start by setting up virtual clustering before creating new VDOMs.
2. Create a placeholder VDOM and add it to virtual cluster 2.
3. Separate traffic interfaces between the root VDOM in virtual cluster 1 and the placeholder VDOM in virtual cluster 2. Based on network planning you can create an even distribution of planned traffic volume between the two virtual clusters.

4. Build up your configuration by adding more VDOMs, LAGs, redundant interfaces, and VLANs as required, making sure to keep VLANs in the same virtual cluster as their parent interfaces, LAGs, or redundant interfaces.

Example incorrect VLAN configuration

Consider the following FortiGate 7000F virtual clustering example, which shows how traffic can be blocked by this limitation:

- Three data traffic VDOMs: root, Engineering, and Marketing.
- One LAG interface: LAG1 in the root VDOM.
- Two VLAN interfaces added to LAG1: vlan11 and vlan12.
 - vlan11 is added to the Engineering VDOM.
 - vlan12 is added to the Marketing VDOM.
- The root and Engineering VDOMs are in virtual cluster 1.
- The Marketing VDOM is in virtual cluster 2.

As a result of this configuration:

- vlan11 is in the Engineering VDOM, which is in virtual cluster 1. vlan11 is also in LAG1, which is in the root VDOM, also in virtual cluster 1. vlan11 and its LAG are in the same virtual cluster. Traffic can pass through vlan11.
- vlan12 is in the Marketing VDOM, which is in virtual cluster 2. vlan12 is also in LAG1, which is in the root VDOM, in virtual cluster 1. vlan12 and its LAG are in different virtual clusters. Traffic cannot pass through vlan12.

Configuring virtual clustering

Configuring virtual clustering is the same as configuring standard FCGP HA with the addition of VDOM partitioning. Using VDOM partitioning, you can control the distribution of VDOMs, and the traffic they process, between the FortiGates in the cluster.

VDOM partitioning can be thought of in two parts. First, there is configuring the distribution of VDOMs between two virtual clusters. By default, all VDOMS are in virtual cluster 1, virtual cluster 1 is associated with the primary FortiGate 7000F, and the primary FortiGate 7000F processes all traffic. If you want traffic to be processed by the secondary FortiGate 7000F, you need to enable virtual cluster 2, move some of the VDOMs to it, and associate virtual cluster 2 with the secondary FortiGate 7000F.

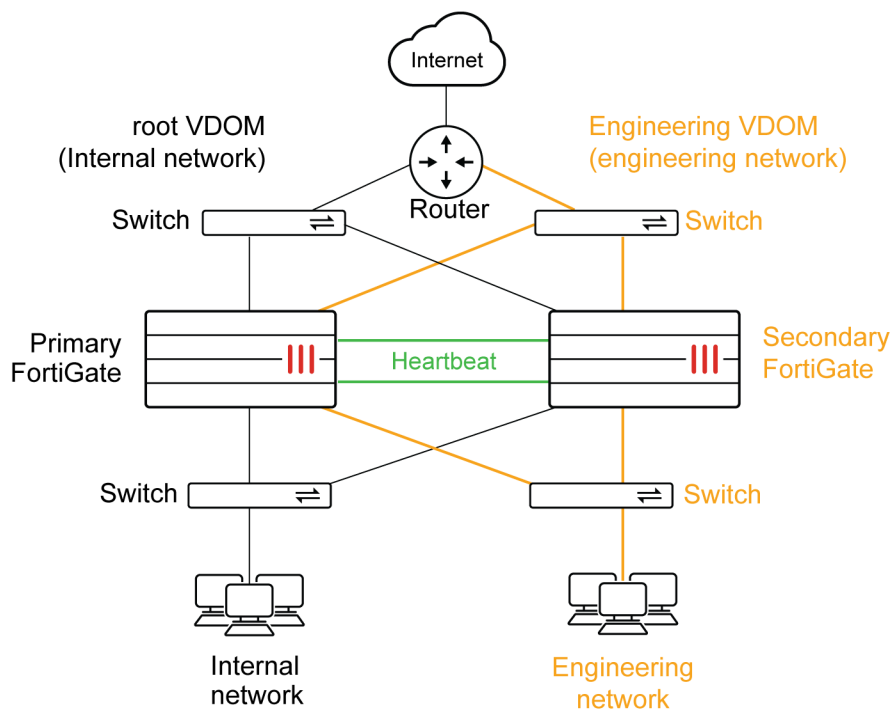
You associate a virtual cluster with a FortiGate 7000F using device priorities. The FortiGate 7000F with the highest device priority is associated with virtual cluster 1. To associate a FortiGate 7000F with virtual cluster 2, you must enable virtual cluster 2 and set virtual cluster 2 device priorities on each FortiGate 7000F. The FortiGate 7000F with the highest virtual cluster 2 device priority processes traffic for the VDOMs added to virtual cluster 2. (Reminder: device priorities are not synchronized.)

Normally, you would set the virtual cluster 1 device priority for the primary FortiGate 7000F and the virtual cluster 2 device priority higher for the secondary FortiGate 7000F. Then the primary FortiGate 7000F would process virtual cluster 1 traffic and the secondary FortiGate 7000F would process virtual cluster 2 traffic.

Enabling virtual cluster 2 also turns on HA override for virtual cluster 1 and 2. Enabling override is required for virtual clustering to function as configured. Enabling override causes the cluster to negotiate every time the cluster state changes. If override is not enabled, the cluster may not negotiate as often. While more frequent negotiation may cause more minor traffic disruptions, with virtual clustering its more important to negotiate after any state change to make sure the configured traffic flows are maintained.

The figure below shows a simple FortiGate 7000F virtual cluster that provides redundancy and failover for two networks. The configuration includes two VDOMs. The root VDOM handles internal network traffic and the Engineering VDOM handles Engineering network traffic. VDOM partitioning has been set up to send all root VDOM traffic to the primary FortiGate and all Engineering VDOM traffic to the secondary FortiGate.

Example virtual clustering configuration



Primary FortiGate 7000F configuration

The primary FortiGate 7000F configuration:

- Sets the primary FortiGate 7000F to be chassis 1.
- Enables virtual cluster 2 (`vcluster2`) to enable virtual clustering.
- Enables override for virtual cluster 1.
- Sets the virtual cluster 1 device priority to 200.
- Enables override for virtual cluster 2 (`secondary-vcluster`).
- Sets the virtual cluster 2 device priority to 50.
- Adds the Engineering VDOM to virtual cluster 2 (all VDOMs remain in virtual cluster 1 unless you add them to virtual cluster 2).

```
config system ha
  set group-id 6
  set group-name <name>
  set mode a-p
  set password <password>
  set hbdev 1-M3 100 2-M3 100
  set chassis-id 1
  set session-sync-dev Ses-Sync-Lag
  set session-pickup enable
```

```

set session-pickup-connectionless enable
set session-pickup-expectation enable
set vcluster2 enable
set override enable
set priority 200
config secondary-vcluster
    set override enable
    set priority 50
    set vdom Engineering
end

```

Secondary FortiGate configuration

The secondary FortiGate configuration:

- Sets the secondary FortiGate to be chassis 2.
- Enables virtual cluster 2 (`vcluster2`) to enable virtual clustering.
- Enables override for virtual cluster 1.
- Sets the device priority of virtual cluster 1 to 50.
- Enables override for virtual cluster 2 (`secondary-vcluster`).
- Sets the virtual cluster 2 device priority to 200.
- You do not need to add the Engineering VDOM to virtual cluster 2, the configuration of the VDOMs in virtual cluster 2 is synchronized from the primary FortiGate.

```

config system ha
    set group-id 6
    set group-name <name>
    set mode a-p
    set password <password>
    set hbdev 1-M3 100 2-M3 100
    set chassis-id 2
    set session-sync-dev Ses-Sync-Lag
    set session-pickup enable
    set session-pickup-connectionless enable
    set session-pickup-expectation enable
    set vcluster2 enable
    set override enable
    set priority 50
config secondary-vcluster
    set override enable
    set priority 200
    set vdom Engineering
end

```






Since the primary FortiGate 7000F has the highest device priority, it processes all traffic for the VDOMs in virtual cluster 1. Since the secondary FortiGate 7000F has the highest virtual cluster 2 device priority, it processes all traffic for the VDOM in virtual cluster 2. The primary FortiGate 7000F configuration adds the VDOMs to virtual cluster 2. All you have to configure on the secondary FortiGate 7000F for virtual cluster 2 is the virtual cluster 2 (or `secondary-vcluster`) device priority.

Virtual cluster GUI configuration


From the GUI, you configure virtual clustering from the **Global** menu by going to **System > HA**, configuring HA settings and VDOM Partitioning.

Primary FortiGate VDOM partitioning

VDOM Partitioning




Virtual cluster 1	 mgmt-vdom  root ✕ +
Virtual cluster 2	 Engineering ✕ +

Secondary Cluster Settings


Device priority 

Secondary FortiGate VDOM partitioning

VDOM Partitioning

Virtual cluster 1	 mgmt-vdom  root ✕ +
Virtual cluster 2	 Engineering ✕ +

Secondary Cluster Settings

Device priority 

HA cluster firmware upgrades

All of the FIMs and FPMs in a FortiGate 7000F HA cluster run the same firmware image. You upgrade the firmware from the primary FIM in the primary FortiGate 7000F.

If `uninterruptible-upgrade` and `session-pickup` are enabled, firmware upgrades should only cause a minimal traffic interruption. Use the following command to enable these settings; they are disabled by default. These settings are synchronized.

```
config system ha
  set uninterruptible-upgrade enable
  set session-pickup enable
end
```

When these settings are enabled, the primary FortiGate 7000F primary FIM uploads firmware to the secondary FortiGate 7000F primary FIM, which uploads the firmware to the secondary FIM and the FPMs in the secondary FortiGate 7000F. Then the FIMs and FPMs in the secondary FortiGate 7000F upgrade their firmware, reboot, and resynchronize.

Then all traffic fails over to the secondary FortiGate 7000F which becomes the new primary FortiGate 7000F. Then the FIMs and FPMs in the new secondary FortiGate 7000F upgrade their firmware and rejoin the cluster. Unless override is enabled, the new primary FortiGate 7000F continues to operate as the primary FortiGate 7000F.

Normally, you would want to enable `uninterruptible-upgrade` to minimize traffic interruptions. But `uninterruptible-upgrade` does not have to be enabled. In fact, if a traffic interruption is not going to cause any problems, you can disable `uninterruptible-upgrade` so that the firmware upgrade process takes less time.

As well, some firmware upgrades may not support `uninterruptible-upgrade`. Make sure to review the release notes before running a firmware upgrade to verify whether or not enabling `uninterruptible-upgrade` is supported to upgrade to that version.



To make sure a FortiGate 7000F firmware upgrade is successful, before starting the upgrade Fortinet recommends you use health checking to make sure the FIMs and FPMs are all synchronized and operating as expected.

If you are following a multi-step upgrade path, you should re-do health checking after each upgrade step to make sure all components are synchronized before the next step.

You should also perform a final round of health checking after the firmware upgrade process is complete.

For recommended health checking commands, see the following Fortinet community article:

[Technical Tip: FortiGate-6000/7000 Chassis health check commands.](#)

Distributed clustering

FortiGate 7000F HA supports separating the FortiGate 7000Fs in an HA cluster to different physical locations. Distributed FortiGate 7000F HA clustering (or geographically distributed FortiGate 7000F HA or geo clustering) can involve two FortiGate 7000Fs in different rooms in the same building, different buildings in the same location, or even different geographical sites such as different cities, countries or continents.

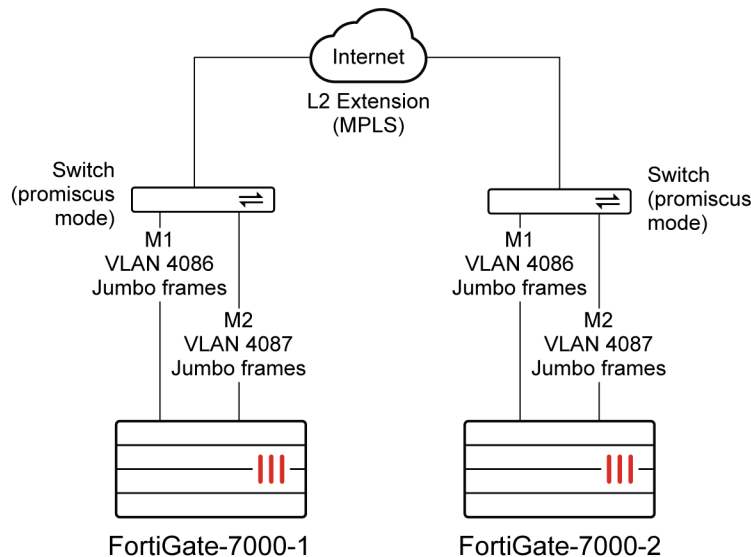
Just like any FortiGate 7000F HA configuration, distributed FortiGate 7000F HA requires heartbeat and session synchronization communication between the FortiGate 7000Fs. In a distributed FortiGate 7000F HA configuration this heartbeat and session synchronization communication can take place over the internet or over other transmission methods including satellite linkups.

Most Data Center Interconnect (DCI) or MPLS-based solutions that support layer 2 extensions and VLAN tags between the remote data centers should also support HA heartbeat and session synchronization communication between the

FortiGate 7000Fs in the distributed locations. Using VLANs and switches in promiscuous mode to pass all traffic between the locations can also be helpful.

You cannot change HA heartbeat IP addresses, so the heartbeat interfaces have to be able to communication over the same subnet.

Example FortiGate 7000F distributed clustering configuration



Because of the possible distance between sites, it may take a relatively long time for heartbeat packets to be transmitted between the FortiGate-7000s. This could lead to a split brain scenario. To avoid a split brain scenario you can modify heartbeat timing so that the cluster expects extra time between heartbeat packets. As a general rule, set the heartbeat failover time (`hb-interval`) to be longer than the max latency or round trip time (RTT). You could also increase the `hb-lost-threshold` to tolerate losing heartbeat packets if the network connection is less reliable.

In addition you could use different link paths for heartbeat packets to optimize HA heartbeat communication. You could also configure QoS on the links used for HA heartbeat traffic to make sure heartbeat communication has the highest priority.

For information about changing the heartbeat interval and other heartbeat timing related settings, see [Modifying heartbeat timing on page 97](#).

Modifying heartbeat timing

If the FortiGate 7000Fs in the HA cluster do not receive heartbeat packets on time, the FortiGate 7000Fs in the HA configuration may each determine that the other FortiGate 7000F has failed. HA heartbeat packets may not be sent on time because of network issues. For example, if the HA heartbeat communications links between the FortiGate 7000Fs become too busy to handle the heartbeat traffic. Also, in a distributed clustering configuration the round trip time (RTT) between the FortiGate 7000Fs may be longer the expected time between heartbeat packets.

In addition, if the FortiGate 7000Fs becomes excessively busy, they may delay sending heartbeat packets.

Even with these delays, the FortiGate 7000F HA cluster can continue to function normally as long as the HA heartbeat configuration supports longer delays between heartbeat packets and more missed heartbeat packets.

You can use the following commands to configure heartbeat timing:

```
config system ha
  set hb-interval <interval_integer>
  set hb-lost-threshold <threshold_integer>
  set hello-holddown <holddown_integer>
end
```

Changing the heartbeat interval

The heartbeat interval is the time between sending HA heartbeat packets. The heartbeat interval range is 1 to 20 (100*ms). The heartbeat interval default is 2 (200 ms).

A heartbeat interval of 2 means the time between heartbeat packets is 200 ms. Changing the heartbeat interval to 5 changes the time between heartbeat packets to 500 ms (5 * 100ms = 500ms).

Use the following CLI command to increase the heartbeat interval to 10:

```
config system ha
  set hb-interval 10
end
```

Changing the lost heartbeat threshold

The lost heartbeat threshold is the number of consecutive heartbeat packets that a FortiGate 7000F does not receive before assuming that a failure has occurred. The default value of 6 means that if a FortiGate 7000F does not receive 6 heartbeat packets, it determines that the other FortiGate 7000F in the cluster has failed. The range is 1 to 60 packets.

The lower the `hb-lost-threshold`, the faster a FortiGate 7000F HA configuration responds when a failure occurs. However, sometimes heartbeat packets may not be received because the other FortiGate 7000F is very busy or because of network conditions. This can lead to a false positive failure detection. To reduce these false positives you can increase the `hb-lost-threshold`.

Use the following command to increase the lost heartbeat threshold to 12:

```
config system ha
  set hb-lost-threshold 12
end
```

Adjusting the heartbeat interval and lost heartbeat threshold

The heartbeat interval combines with the lost heartbeat threshold to set how long a FortiGate 7000F waits before assuming that the other FortiGate 7000F has failed and is no longer sending heartbeat packets. By default, if a FortiGate 7000F does not receive a heartbeat packet from a cluster unit for $6 * 200 = 1200$ milliseconds or 1.2 seconds the FortiGate 7000F assumes that the other FortiGate 7000F has failed.

You can increase both the heartbeat interval and the lost heartbeat threshold to reduce false positives. For example, increasing the heartbeat interval to 20 and the lost heartbeat threshold to 30 means a failure will be assumed if no heartbeat packets are received after $30 * 2000$ milliseconds = 60,000 milliseconds, or 60 seconds.

Use the following command to increase the heartbeat interval to 20 and the lost heartbeat threshold to 30:

```
config system ha
  set hb-lost-threshold 30
```

```
set hb-interval 30
end
```

Changing the time to wait in the hello state

The hello state hold-down time is the number of seconds that a FortiGate 7000F waits before changing from hello state to work state. After a failure or when starting up, FortiGate 7000Fs in HA mode operate in the hello state to send and receive heartbeat packets to find each other and form a cluster. A FortiGate 7000F should change from the hello state to work state after it finds the FortiGate 7000F to form a cluster with. If for some reason the FortiGate 7000Fs cannot find each other during the hello state both FortiGate 7000Fs may assume that the other one has failed and each could form separate clusters of one FortiGate 7000F. The FortiGate 7000Fs could eventually find each other and negotiate to form a cluster, possibly causing a network interruption as they re-negotiate.

One reason for a delay of the FortiGate 7000Fs finding each other could be the FortiGate 7000Fs are located at different sites or for some other reason communication is delayed between the heartbeat interfaces. If you find that your FortiGate 7000Fs leave the hello state before finding each other you can increase the time that they wait in the hello state. The hello state hold-down time range is 5 to 300 seconds. The hello state hold-down time default is 20 seconds.

Use the following command to increase the time to wait in the hello state to 1 minute (60 seconds):

```
config system ha
  set hello-holddown 60
end
```

Changing how long routes stay in a cluster unit routing table

You can use the HA route time to live (`route-ttl`) option to control how long routes remain active in the new primary FortiGate 7000F after an FGCP HA failover. The default `route-ttl` is 600 seconds. The range is 5 to 3600 seconds (one hour). You can use the following command to change the `route-ttl` time.

```
config system ha
  set route-ttl <time>
end
```

To maintain communication sessions through a new primary FortiGate 7000F, routes remain active in the routing table for the `route-ttl` time while the new primary FortiGate 7000F acquires new routes. Normally keeping `route-ttl` to the default value of 600 seconds (10 minutes) is acceptable because acquiring new routes and populating the routing tables of multiple FIMs and FPMs can take a few minutes.

If the primary FortiGate 7000F needs to acquire a very large number of routes, or if for other reasons there is a delay in acquiring all routes, the primary FortiGate 7000F may not be able to maintain all communication sessions after a failover.

You can increase the `route-ttl` time if you find that communication sessions are lost after a failover. Increasing the `route-ttl` time allows the primary unit to use synchronized routes that are already in the routing table for a longer period of time while waiting to acquire new routes.

For more information, see [Synchronizing kernel routing tables](#).

FortiGate 7000F FGSP

FortiGate 7000F supports the FortiGate Session Life Support Protocol (FGSP) (also called standalone session sync) to synchronize sessions among up to four FortiGate 7000Fs

For details about FGSP, see: [FGSP](#).

FortiGate 7000F FGSP support has the following limitations:

- Only the M1 to M4 interfaces of both FIMs can be used for FGSP session synchronization. Session synchronization can occur over individual M1 to M4 interfaces or over a LAG consisting of two or more of the M1 to M4 interfaces.
- Session synchronization takes place between the peer IP addresses over L3. SLBC platforms do not support L2 session synchronization links. The `session-sync-dev` option is not supported.
- FortiGate 7000F FGSP doesn't support setting up IPv6 session filters using the `config session-sync-filter` option.
- Asymmetric IPv6 SCTP traffic sessions are not supported. These sessions are dropped.
- Inter-cluster session synchronization, or FGSP between FGCP clusters, is not supported for the FortiGate 7000F.
- FGSP IPsec tunnel synchronization is not supported.
- Fragmented packet synchronization is not supported.

You can use configuration synchronization to synchronize the configurations of the FortiGate 7000Fs in the FGSP deployment (see [Standalone configuration synchronization on page 104](#)). You can use the M1 to M4 interfaces for configuration synchronization. You can also configure the FortiGate 7000Fs separately or use FortiManager to keep key parts of the configuration, such as security policies, synchronized.

FortiGate 7000F FortiOS Carrier GTP with FGSP support

FortiGate 7000F FGSP clusters licensed for FortiOS Carrier now support synchronizing GTP tunnels among up to four FortiGate 7000F chassis. No special configuration is required to support this feature. Just a standard FGSP configuration and standard GTP profiles and policies.

FGSP session synchronization options

FortiGate 7000F FGSP supports the following HA session synchronization options:

```
config system ha
  set session-pickup {disable | enable}
  set session-pickup-connectionless {disable | enable}
  set session-pickup-expectation {disable | enable}
  set session-pickup-nat {disable | enable}
  set session-pickup-delay {disable | enable}
end
```

Some notes:

- The `session-pickup-nat` options only apply to the FGSP. FGCP synchronizes NAT sessions when you enable `session-pickup`. The `session-pickup-delay` option applies to TCP sessions only and does not apply to connectionless and SCTP sessions.
- The `session-pickup-delay` option should not be used in FGSP topologies where the traffic can take an asymmetric path (forward and reverse traffic going through different FortiGate 7000Fs).

Enabling session synchronization

Use the following command to synchronize TCP and SCTP sessions between FortiGate 7000Fs.

```
config system ha
  set session-pickup enable
end
```

Enabling `session-pickup` also enables session synchronization for connectionless protocol sessions, such as ICMP and UDP, by enabling `session-pickup-connectionless`. If you don't want to synchronize connectionless sessions, you can manually disable `session-pickup-connectionless`.

Synchronizing expectation sessions

Enable `session-pickup-expectation` to synchronize expectation sessions. FortiOS session helpers keep track of the communication of Layer-7 protocols such as FTP and SIP that have control sessions and expectation sessions. Usually the control sessions establish the link between server and client and negotiate the ports and protocols that will be used for data communications. The session helpers then create expectation sessions through the FortiGate for the ports and protocols negotiated by the control session.

The expectation sessions are usually the sessions that actually communicate data. For FTP, the expectation sessions transmit files being uploaded or downloaded. For SIP, the expectation sessions transmit voice and video data. Expectation sessions usually have a timeout value of 30 seconds. If the communication from the server is not initiated within 30 seconds the expectation session times out and traffic will be denied.

Synchronizing NAT sessions

Enable `session-pickup-nat` to synchronize NAT sessions in an FGSP deployment.

Synchronizing TCP sessions older than 30 seconds

Enable `session-pickup-delay` to synchronize TCP sessions only if they remain active for more than 30 seconds. This option improves performance when `session-pickup` is enabled by reducing the number of sessions that are synchronized. This option does not affect SCTP or connectionless sessions.

Synchronizing sessions older than 30 seconds

Enable `session-pickup-delay` to synchronize TCP sessions only if they remain active for more than 30 seconds. This option improves performance when `session-pickup` is enabled by reducing the number of TCP sessions that are synchronized. This option does not affect SCTP or connectionless sessions.

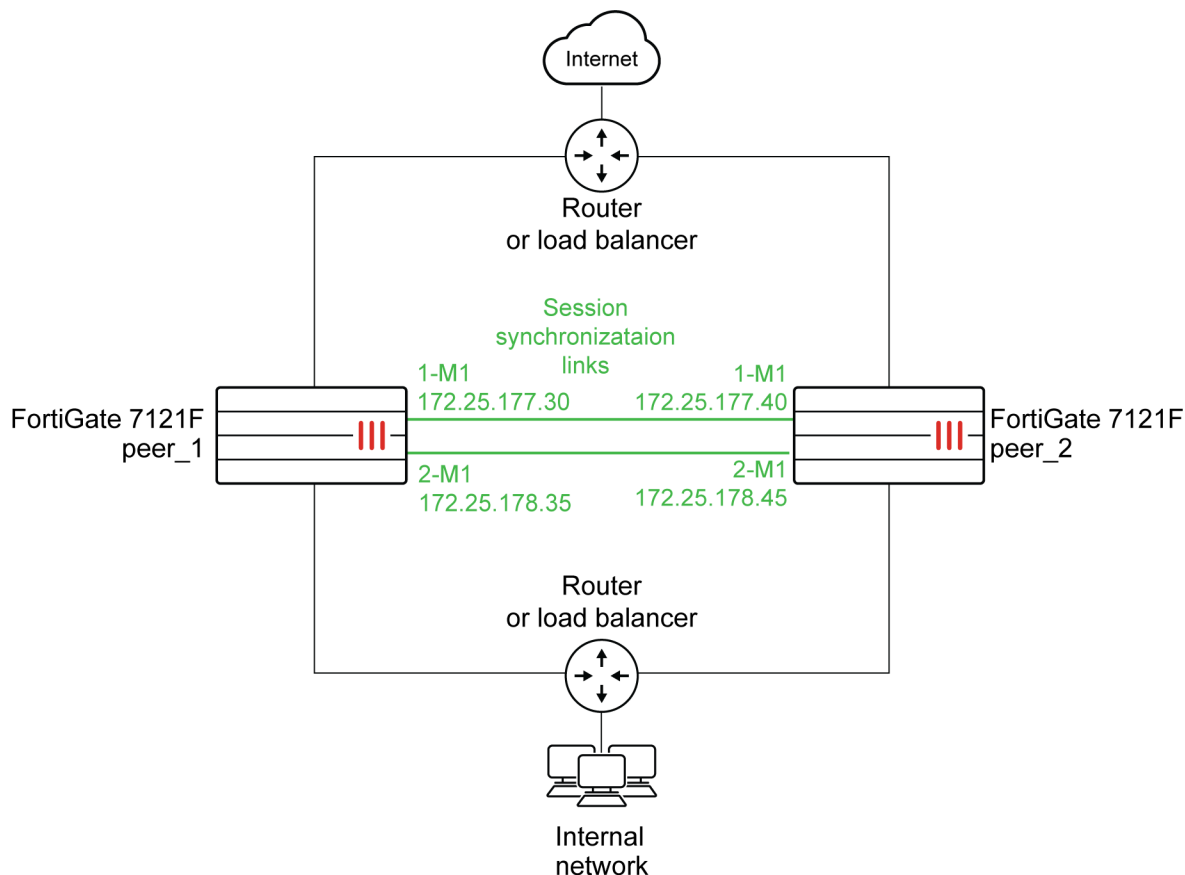
Example FortiGate 7000F FGSP configuration using 1-M1 and 2-M1 interfaces

This example shows how to configure FGSP to synchronize sessions between two FortiGate 7121Fs for the root VDOM and for a second VDOM, named `vdom-1`. The example uses the 1-M1 interface for root session synchronization and the 2-M1 interface for `vdom-1` session synchronization. The 1-M1 interfaces are connected to the 172.25.177.0/24 network and the 2-M1 interfaces are connected to the 172.25.178.0/24 network.

The interfaces of the two FortiGate 7121Fs must have their own IP addresses and their own networking configuration. You can give the FortiGate 7121Fs different host names, in this example, peer_1 and peer_2, to make them easier to identify.

This example also adds configuration synchronization and sets the peer_1 device priority higher so that it becomes the config sync primary. Once configuration synchronization is enabled, you can log into peer_1 and add firewall policies and make other configuration changes and these configuration changes will be synchronized to peer_2. For information about configuration synchronization, including its limitations, see [Standalone configuration synchronization on page 104](#).

Example FortiGate 7121F FGSP configuration



1. Configure the routers or load balancers to distribute sessions to the two FortiGate 7121Fs.
2. Change the host names of the FortiGate 7121Fs to peer_1 and peer_2.
3. Configure network settings for each FortiGate 7121F to allow them to connect to their networks and route traffic.
4. Add the vdom-1 VDOM to each FortiGate 7121F.
5. On peer_1, set up the standalone-cluster configuration that also includes configuring session synchronization for the root and vdom-1 VDOMs:

```
config system standalone-cluster
config cluster-peer
edit 1
set peervd mgmt-vdom
set peerip 172.25.177.40
set syncvd root
next
```

```

edit 2
    set peervd mgmt-vdom
    set peerip 172.25.178.45
    set syncvd vdom-1
end
set standalone-group-id 8
set group-member-id 1
end

```

For the root vdom, `peervd` will always be `mgmt-vdom` and `peerip` is the IP address of the 1-M1 interface of `peer_2`.

For `vdom-1`, `peervd` will always be `mgmt-vdom` and `peerip` is the IP address of the 2-M1 interface of `peer_2`.

6. On `peer_1` configure the 1-M1 and 2-M1 interfaces with IP addresses on the 172.25.177.0/24 and 172.25.178.0/24 networks:

```

config system interface
    edit 1-M1
        set ip 172.25.177.30 255.255.255.0
    next
    edit 2-M1
        set ip 172.25.178.35 255.255.255.0
    end
end

```

7. On `peer_1`, enable configuration synchronization, configure the heartbeat interfaces, and set a higher device priority. This makes `peer_1` become the config sync primary.

```

config system ha
    set standalone-config-sync enable
    set session-pickup enable
    set session-pickup-connectionless enable
    set session-pickup-expectation enable
    set session-pickup-nat enable
    set priority 250
    set hbdev 1-M1 50 2-M1 50
end

```

8. On `peer_2`, set up the standalone-cluster configuration.

```

config system standalone-cluster
    config system cluster-peer
        edit 1
            set peervd mgmt-vdom
            set peerip 172.25.177.30
            set syncvd root
        next
        edit 2
            set peervd mgmt-vdom
            set peerip 172.25.178.35
            set syncvd vdom-1
        end
    end
    set standalone-group-id 8
    set group-member-id 2
end

```

For the root VDOM, `peervd` will always be `mgmt-vdom` and `peerip` is the IP address of the 1-M1 interface of `peer_1`.

For `vdom-1`, `peervd` will always be `mgmt-vdom` and `peerip` is the IP address of the 2-M1 interface of `peer_1`.

9. On `peer_2` configure the 1-M1 and 2-M1 interfaces with IP addresses on the 172.25.177.0/24 and 172.25.178.0/24 networks:

```

config system interface

```

```

edit 1-M1
  set ip 172.25.177.40 255.255.255.0
next
edit 2-M1
  set ip 172.25.178.45 255.255.255.0
end

```

10. On peer_2, enable configuration synchronization, configure the heartbeat interfaces, and leave the device priority set to the default value.

```

config system ha
  set standalone-config-sync enable
  set session-pickup enable
  set session-pickup-connectionless enable
  set session-pickup-expectation enable
  set session-pickup-nat enable
  set hbdev 1-M1 50 2-M1 50
end

```

As sessions are forwarded by the routers or load balancers to one of the FortiGate 7121Fs, the FGSP synchronizes the sessions to the other FortiGate 7121F. You can log into peer_1 and make configuration changes, which are synchronized to peer_2.

Standalone configuration synchronization

FortiGate 7000F supports configuration synchronization (also called standalone configuration synchronization) for two FortiGate 7000Fs. Configuration synchronization means that most configuration changes made to one of the FortiGate 7000Fs are automatically synchronized to the other one.

For details about standalone configuration synchronization for FortiOS 6.0, see: [Standalone configuration sync](#).

Use the following command on both FortiGate 7000Fs to enable configuration synchronization:

```

config system ha
  set standalone-config-sync enable
end

```

In addition to enabling configuration synchronization, you must set up HA heartbeat connections between the FortiGate 7000Fs using the M1 to M4 interfaces of either of the FIMs. One HA heartbeat connection is required, two are recommended. The 25Gbps M3 or M4 interfaces should provide enough bandwidth. Use the following command to enable heartbeat configuration for the 1-M3 and 2-M3 interfaces. This command gives both heartbeat interfaces the same priority. You can choose to select different priorities for each heartbeat interface:

```

config system ha
  set hbdev 1-M3 50 2-M3 50
end

```

When you enable configuration synchronization, configure and connect the heartbeat devices, FGCP primary unit selection criteria selects a config sync primary FortiGate 7000F. Normally, the FortiGate 7000F with the highest serial number becomes the config sync primary and the other FortiGate 7000F becomes the config sync secondary.

All configuration changes that you make to the primary are synchronized to the secondary. To avoid synchronization problems, Fortinet recommends making all configuration changes to the primary.



See [Limitations on page 105](#) for a list of limitations of the configuration synchronization feature. Fortinet recommends disabling configuration synchronization once the configurations of the FortiGate 7000Fs have been synchronized.

Config sync primary FortiGate 7000F selection

You can use device priority to select one of the FortiGate 7000Fs to become the config sync primary. For example, the following command enables configuration synchronization and sets a higher device priority than the default of 128 to make sure that this FortiGate 7000F becomes the primary.

```
config system ha
  set standalone-config-sync enable
  set priority 250
end
```

Settings that are not synchronized

Configuration synchronization does not synchronize settings that identify the FortiGate 7000F to the network. The following settings are not synchronized:

- Transparent mode management IPv4 and IPv6 IP addresses and default gateways.
- All `config system cluster-sync` settings.
- All `config system interface` settings except `vdom`, `vlanid`, `type` and `interface`.
- All `config firewall sniffer` settings.
- All router BFD and BFD6 settings.
- The following BGP settings: `as`, `router-id`, `aggregate-address`, `aggregate-address6`, `neighbor-group`, `neighbor`, `network`, and `network6`.
- The following OSPF settings: `router-id`, `area`, `ospf-interface`, `network`, `neighbor`, and `summary-address`.
- The following OSPF6 settings: `router-id`, `area`, and `ospf6-interface`.
- All RIP settings.
- All policy routing settings.
- All static routing settings.

Limitations

When configuration synchronization is enabled, there are some limitations, including but not limited to the following:

- Configuration synchronization does not support graceful HA firmware upgrades. If you upgrade the firmware of the primary, the secondary also upgrades at the same time, disrupting network traffic. You can avoid traffic interruptions by disabling configuration synchronization and upgrading the firmware of each FortiGate 7000F separately.
- The configuration settings that are synchronized might not match your requirements. The current design and implementation of configuration synchronization is based on requirements from specific customers and might not work for your implementation.
- It can be difficult to control which FortiGate 7000F becomes the config sync primary and the config sync primary can dynamically change without notice. This could result in accidentally changing the configuration of the secondary or overwriting the configuration of the intended primary.

FortiGate 7000F VRRP HA

FortiGate 7000F supports the Virtual Router Redundancy Protocol (VRRP), allowing you to configure VRRP HA between FortiGate 7000F data interfaces. You can also add a FortiGate 7000F data interface to a VRRP domain with other VRRP routers.

To set up a FortiGate 7000F VRRP to provide HA for internet connectivity:

1. Add a virtual VRRP router to the internal interface to the FortiGate 7000F(s) and routers to be in the VRRP domain.
2. Set the VRRP IP address of the domain to the internal network default gateway IP address.
3. Give one of the VRRP domain members the highest priority so it becomes the primary router and give the others lower priorities so they become backup routers.

During normal operation, the primary VRRP router sends outgoing VRRP routing advertisements. Both the primary and backup VRRP routers listen for incoming VRRP advertisements from other routers in the VRRP domain. If the primary router fails, the new primary router takes over the role of the default gateway for the internal network and starts sending and receiving VRRP advertisements.

On the GUI you can go to **Network > Interfaces** and right click on the column header and add VRRP to the **Selected Columns** list to see the VRRP status of the data interfaces that are operating as VRRP routers.

You can use the following command to find information about VRRP state synchronization:

```
diagnose test application vrrpd {1 | 2 | 3 | 4 | 5}
```

- 1 resynchronize all FPMs from the primary FPM.
- 2 send a synchronize request from the current FPM.
- 3 show statistics.
- 4 clear all statistics.
- 5 clear packet age.

For more information about FortiOS VRRP, see [FortiGate Handbook: VRRP](#).

Operating a FortiGate 7000F

This chapter is a collection of information that you can use when operating your FortiGate 7000F system.

TPM support

Each FIM and FPM installed in a FortiGate 7121F or FortiGate 7081F includes a Trusted Platform Module (TPM).

You need to enter the following command to enable TPM support and input the primary-encryption-password once from the primary FIM. You don't need to enter the command separately for each FIM and FPM and you do not need a separate primary-encryption-password for each FIM and FPM.

```
config system global
  set private-data-encryption enable
end
```

For information about FortiOS TPM support as well as configuration and diagnose commands, see [Trusted platform module support](#).

FortiLink support

FortiGate 7000F supports managing FortiSwitch devices over FortiLink. You can manage up to 300 FortiSwitch devices from one FortiGate 7000F.

Use the following command to enable Fortilink support on the GUI and in the CLI:

```
config system global
  set switch-controller enable
end
```

From the GUI you can go to **System > Feature Visibility** and enable **Switch Controller**.

Managed FortiSwitch GUI pages appear under the **WiFi & Switch Controller** GUI menu on all VDOMs except mgmt-vdom.

The default configuration includes a LAG named fortilink. To manage FortiSwitch devices you must add one or more interfaces to the fortilink LAG and connect managed FortiSwitch devices to these interfaces.

FortiGate 7000F FortiLink support has the following limitations:

- You must manually set the LACP mode of the fortilink interface to static:

```
config system interface
  edit fortilink
    set lacp-mode static
  end
```
- The FIM in slot 1 (FIM-01) must be the primary FIM. FortiLink will not work if FIM-02 is the primary FIM.



In an HA configuration, if the FIM in slot 1 of the primary FortiGate 7000F fails, the secondary FortiGate 7000F becomes the new primary FortiGate 7000F with a functioning FIM in slot 1 and FortiLink support continues after the failover.

- The FortiGate 7000F does not support upgrading managed FortiSwitch firmware from the **FortiOS Managed FortiSwitch GUI** page. Instead you must use the FortiGate 7000F CLI or log into the managed FortiSwitch to upgrade managed FortiSwitch firmware.

For more information about FortiLink support and managing FortiSwitches, see the [FortiLink Guide](#).

ECMP support

FortiGate 7000F supports most FortiOS IPv4 and IPv6 ECMP functionality.

You can use the following command to configure the IPv4 ECMP load balancing method for a VDOM:

```
config system settings
  set v4-ecmp-mode {source-ip-based | weight-based | source-dest-ip-based}
end
```



With VDOM-based session tables enabled, the FortiGate 7000F supports all IPv4 ECMP load balancing methods supported by FortiOS except usage-based.

See this link for information about how to support IPv6 ECMP load balancing: [Technical Tip: ECMP – Load balancing algorithms for IPv4 and IPv6](#).

Enabling auxiliary session support

When ECMP is enabled, TCP traffic for the same session can exit and enter the FortiGate on different interfaces. To allow this traffic to pass through, FortiOS creates auxiliary sessions. Allowing the creation of auxiliary sessions is handed by the following command:

```
config system settings
  set auxiliary-session {disable | enable}
end
```

By default, the `auxiliary-session` option is disabled. This can block some TCP traffic when ECMP is enabled. If this occurs, enabling `auxiliary-session` may solve the problem. For more information, see [Technical Tip: Enabling auxiliary session with ECMP or SD-WAN](#).

ICAP support

You can configure your FortiGate 7000F to use Internet Content Adaptation Protocol (ICAP) to offload processing that would normally take place on the FortiGate 7000F to a separate server specifically set up for the required specialized processing.

ICAP servers are focused on a specific function, for example:

- Ad insertion
- Virus scanning
- Content translation
- HTTP header or URL manipulation
- Language translation
- Content filtering

FortiGate 7000F supports ICAP without any special configuration. This includes using ICAP to offload decrypted SSL traffic to an ICAP server. FortiOS decrypts the content stream before forwarding it to the ICAP server.

For more information about FortiOS support for ICAP, see [ICAP support](#).

Example ICAP configuration

ICAP is available for VDOMs operating in proxy mode. You can enable proxy mode from the **Global** GUI by going to **System > VDOM**, editing the VDOM for which to configure ICAP, and setting **Inspection Mode** to **Proxy**.

Then go to the VDOM, and go to **System > Feature Visibility** and enable **ICAP**.

From the CLI you can edit the VDOM, enable proxy inspection mode and enable ICAP. You can only enable ICAP from `config system settings` if proxy mode is already enabled.

```
config vdom
  edit VDOM-2
    config system settings
      set inspection-mode proxy
    end
  config system settings
    set gui-icap enable
  end
```

From the GUI you can add an ICAP profile by going to **Security Profiles > ICAP** and selecting **Create New** to create a new ICAP profile.

From the CLI you can use the following command to create an ICAP profile:

```
config icap profile
  edit "default"
  next
  edit "icap-test-profile"
    set request enable
    set response enable
    set request-server "icap-test"
    set response-server "icap-test"
    set request-failure bypass
    set response-failure bypass
    set request-path "echo"
    set response-path "echo"
  end
```

From the GUI you can add an ICAP serve by going to **Security Profiles > ICAP Servers** and selecting **Create New** to created a new ICAP server.

From the CLI you can use the following command to create an ICAP server:

```
config icap server
```

```
edit "icap-test"
  set ip-address 10.98.0.88
  set max-connections 1000
end
```

Then create a firewall policy for the traffic to be sent to the ICAP server and include the ICAP profile.

```
config firewall policy
  edit 4
    set name "any-any"
    set uuid f4b612d0-2300-51e8-f15f-507d96056a96
    set srcintf <interface> <interface>
    set dstintf <interface> <interface>
    set srcaddr "all"
    set dstaddr "all"
    set action accept
    set schedule "always"
    set service "ALL"
    set utm-status enable
    set logtraffic all
    set av-profile "default"
    set icap-profile "icap-test-profile"
    set profile-protocol-options "default"
    set ssl-ssh-profile "deep-inspection"
  end
```

SSL mirroring support

You can configure your FortiGate 7000F to "mirror" or send a copy of traffic decrypted by SSL inspection to one or more interfaces so that the traffic can be collected by a raw packet capture tool for archiving or analysis.



Decryption, storage, inspection, and use of decrypted content is subject to local privacy rules. Use of these features could enable malicious users with administrative access to your FortiGate to harvest sensitive information submitted using an encrypted channel.

Use the information in [Mirroring SSL traffic in policies](#) to set up SSL mirroring for your FortiGate 7000F.

You can use the following command from an FPM CLI to verify the mirrored traffic:

```
diagnose sniffer packet <interface> 'port 443' -c 50
interfaces=[1-C1/7]
filters=[port 443]
pcap_lookupnet: <interface>: no IPv4 address assigned
0.440714 8.1.1.69.18478 -> 9.2.1.130.443: syn 582300852
0.440729 9.2.1.130.443 -> 8.1.1.69.18478: syn 3198605956 ack 582300853
0.440733 8.1.1.69.18478 -> 9.2.1.130.443: ack 3198605957
0.440738 8.1.1.69.18478 -> 9.2.1.130.443: psh 582300853 ack 3198605957
0.441450 9.2.1.130.443 -> 8.1.1.69.18478: psh 3198605957 ack 582301211
0.441535 9.2.1.130.443 -> 8.1.1.69.18478: psh 3198607351 ack 582301211
0.441597 9.2.1.130.443 -> 8.1.1.69.18478: psh 3198608747 ack 582301211
0.441636 9.2.1.130.443 -> 8.1.1.69.18478: psh 3198610143 ack 582301211
0.441664 9.2.1.130.443 -> 8.1.1.69.18478: psh 3198611539 ack 582301211
0.441689 9.2.1.130.443 -> 8.1.1.69.18478: psh 3198612935 ack 582301211
```

```
0.441715 9.2.1.130.443 -> 8.1.1.69.18478: psh 3198614331 ack 582301211
0.441739 9.2.1.130.443 -> 8.1.1.69.18478: psh 3198615727 ack 582301211
0.441764 9.2.1.130.443 -> 8.1.1.69.18478: psh 3198617123 ack 582301211
```

FortiGate 7000F NP7 processors support offloading DoS policies

The FortiGate 7000F supports using the NP7 processors in the FPMs to offload DoS firewall policy sessions. DoS policies are offloaded when the `policy-offload-level` option of the `config system npu` command is set to `dos-offload`:

```
config system npu
  set policy-offload-level {dos-offload | full-offload}
  config dos-options
    set npu-dos-meter-mode {global | local}
    set npu-dos-tpe-mode {disable | enable}
  end
```



This configuration is only available for the FortiGate 7000F. The FortiGate 7000F does not support hyperscale firewall features (you cannot set `policy-offload-level` to `full-offload`).

`disable` is the default setting. Offloading DoS policy sessions to NP7 processors is disabled. All sessions are initiated by the CPU. Sessions that can be offloaded are sent to the NP7 processors in the FPMs.

`dos-offload` offload DoS policy sessions to the NP7 processors in the FPMs. All other sessions are initiated by the CPU. Sessions that can be offloaded are sent to NP7 processors in the FPMs.

`npu-dos-meter-mode` select `global` (the default) to configure DoS metering across all NP7 processors. Select `local` to configure metering per NP7 processor.

DoS metering controls how the threshold for each configured anomaly is distributed among NP7 processors. For example, for an FPM with two NP7 processors and the `tcp_syn_flood` anomaly threshold set to 400. If `npu-dos-meter-mode` is set to `global`, the threshold of 400 is divided between the NP7 processors and the `tcp_syn_flood` threshold would be set to 200 for each NP7 (for a total threshold of 400 for the FPM). If `npu-dos-meter-mode` is set to `local`, then each NP7 would have a threshold of 400 (for a total threshold of 800 for a the FPM).

`npu-dos-tpe-mode` select `enable` (the default) to insert the dos meter ID into the session table. Select `disable` if you don't want to insert the DoS meter into the session table. If set to `enable`, `UDP_FLOOD` and `ICMP_FLOOD` DoS protection applies to offloaded sessions. If set to `disable`, `UDP_FLOOD` and `ICMP_FLOOD` DoS protection will not apply to offloaded sessions.

NP7 Host Protection Engine (HPE) support

The NP7 host protection engine (HPE) uses NP7 processors to protect the FortiGate CPU from excessive amounts of ingress traffic, which typically occurs during DDoS attacks or network problems (for example an ARP flood due to a network loop). You can use the HPE to prevent ingress traffic received on data interfaces connected to NP7 processors from overloading the FortiGate CPU. For information about HPE, see [NP7 Host Protection Engine \(HPE\)](#).

On the FortiGate 7000F, the NP7 processors in the FPM-7620Fs support HPE protection. The NP7 processors in the FIMs are used for SLBC load balancing. For more information, see:

- [FPM-7620F and HPE on page 34.](#)
- [FIM-7921F NP7 processors on page 30.](#)
- [FIM-7941F NP7 processors on page 24.](#)

Global option for proxy-based certificate queries

In some cases you may want to be able to send certificate queries using a FortiGate 7000F management interface instead of a data interface. FortiGate 7000F includes the following global command that you can use to enable or disable using a data interface or a system management interface for certificate queries for proxy-based firewall policies.

```
config global
  config system global
    set proxy-cert-use-mgmt-vdom {disable | enable}
  end
```

This option is disabled by default and by default data interfaces are used to send certificate queries for proxy-based firewall policies. Enable this option to send certificate queries for proxy-based firewall policies through the mgmt-vdom VDOM using FortiGate 7000F management interfaces.

VXLAN support

FortiGate 7000F supports terminating VXLAN traffic using VXLAN interfaces. VXLAN traffic cannot be load balanced, so you should use a flow rule similar to the following to send all VXLAN traffic terminated by the FortiGate 7000F to the primary FPM:

```
config load-balance flow-rule
  edit 0
    set status enable
    set ether-type ip
    set protocol 17
    set forward-slot master
    set src-interface <local LAN>
    set dst-l4port 4789-4789
    set comment "vxlan"
  end
```

`dst-l4port` must be set to the VXLAN destination port. The default VXLAN destination port is 4789. You should change the port number range in the flow rule if you change the VXLAN port number.

Using data interfaces for management traffic

You can set up in-band management connections to all FortiGate 7000F data interfaces by setting up administrative access for the data interface that you want to use to manage the FortiGate 7000F. For in-band management of a

transparent mode VDOM, you must also set up the transparent mode management IP address.

Connecting to a data interface for management is the same as connecting to one of the management interfaces. For example, you can log in to the GUI or CLI of the primary FIM.

Administrators with VDOM-level access can log into to their VDOM if they connect to a data interface that is in their VDOM.

In-band management limitations

In-band management has the following limitations:

- In-band management does not support using special port numbers to connect to individual FIMs or FPMs. If you have logged in using an in-band management connection, the special management HTTPS port numbers appear on the Security Fabric dashboard widget when you hover over individual FIMs or FPMs. You can click on an FIM or FPM in the Security Fabric dashboard widget and select **Login to...** to log into the GUI of that FIM or FPM. This action creates an out-of-band management connection by crafting a URL that includes the IP address of the mgmt interface, plus the special HTTPS port number required to connect to that FIM or FPM.
- SNMP in-band management is not supported.
- VRF routes are not applied to outgoing in-band management traffic.
- Changes made on the fly to administrative access settings are not enforced for in-progress in-band management sessions. The changes apply to new in-band sessions only. For example, if an administrator is using SSH for an in-band management connection and you change the SSH administrative port, that in-band management session can continue. Any out-of-band management sessions would need to be restarted with the new port number. New in-band SSH management sessions need to use the new port number. HTTPS access works the same way; however, HTTPS starts new sessions every time you navigate to a new GUI page. So an on the fly change would affect an HTTPS in-band management session whenever the administrator navigates to a new GUI page.

Setting the MTU for a data interface

You can use the following command to change the MTU for a FortiGate 7000F data interface:

```
config system interface
  edit 1B5/1
    set mtu-override enable
    set mtu <value>
  end
```

For the FortiGate 7000F the default <value> is 1500 and the range is 256 to 9216.

More management connections than expected for one device

The FortiGate 7000F may show more management-related network activity than most FortiGate devices. This occurs because many management functions are handled independently by each FIM and FPM.

For example, when a FortiGate 7000F first starts up, the FIMs and FPMs perform their DNS lookups. Resulting in more DNS-related traffic during startup than expected for a single device. Once the system is processing data traffic, the amount of management traffic would be proportional to the amount of traffic the system is processing.

More ARP queries than expected for one device - potential issue on large WiFi networks

The FortiGate 7000F sends more ARP queries than expected because each FPM builds its own ARP table to be able to communicate with devices in the same broadcast domain or layer 2 network. This behavior does not cause a problem with most layer 2 networks. However, because the ARP traffic for all of the FPMs comes from the same mac and IP address, on networks with broadcast filtering or ARP suppression, some of the FortiGate 7000F ARP queries and replies may be suppressed. If this happens, FPMs may not be able to build complete ARP tables. An FPM with an incomplete ARP table will not be able to forward sessions to some destinations that it should be able to reach, resulting in dropped sessions.

Broadcast filtering or ARP suppression is commonly used on large WiFi networks to control the amount of ARP traffic on the WiFi network. Dropped FortiGate 7000F sessions have been seen when a FortiGate 7000F is connected to the same broadcast domain as a large WiFi network with ARP suppression.

To resolve this dropped session issue, you can remove broadcast filtering or ARP suppression from the network. If this is not an option, Fortinet recommends that you install a layer 3 device to separate the FortiGate 7000F from the WiFi network broadcast domain. ARP traffic is reduced because the FPMs no longer need to add the addresses of all of the WiFi devices to their ARP tables since they are on a different broadcast domain. The FPMs just need to add the address of the layer 3 device.

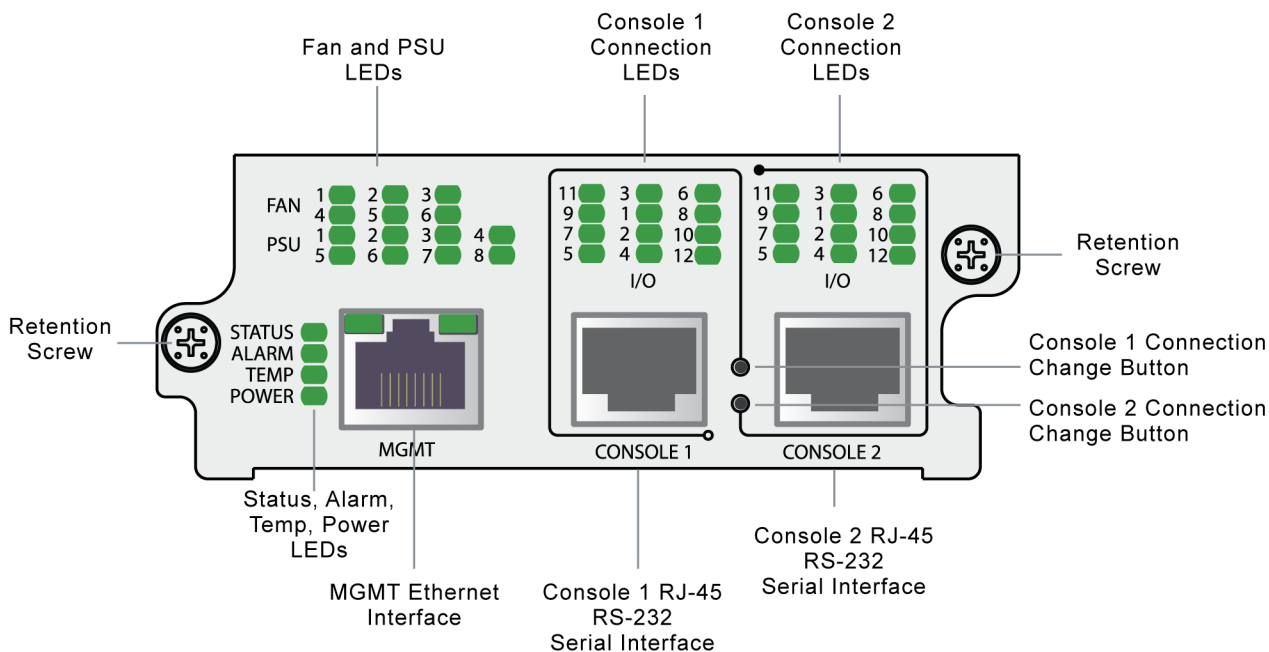
VLAN ID 1 is reserved

When setting up VLANs, do not set the VLAN ID to 1. This VLAN ID is reserved by FortiOS. Any configurations that use a VLAN with VLAN ID = 1 will not work as expected.

Connecting to module CLIs using the System Management Module

All FortiGate 7000F chassis includes a System Management Module (SMM) (also called a shelf manager) on the chassis front panel. See the system guide for your chassis for details about the SMM.

FortiGate 7000F SMM front panel



The SMM includes two console ports named Console 1 and Console 2 that can be used to connect to the CLI of the FIMs and FPMs in the chassis. As described in the system guide, the console ports are also used to connect to SMC CLIs of the SMM and the FIMs and FPMs

By default when the chassis first starts up, Console 1 is connected to the FortiOS CLI of the FIM in slot 1 and Console 2 is disconnected. The default settings for connecting to each console port are:

Baud Rate (bps) 9600, Data bits 8, Parity None, Stop bits 1, and Flow Control None.

You can use the console connection change buttons to select the CLI that each console port is connected to. Press the button to cycle through the FIM and FPM FortiOS CLIs and disconnect this console. The console's LEDs indicate what it is connected to. If no LED is lit the console is either connected to the SMM SMC SDI console or disconnected. Both console ports cannot be connected to the same CLI at the same time. If a console button press would cause a conflict that module is skipped. If one of the console ports is disconnected then the other console port can connect to any CLI.

If you connect a PC to one of the SMM console ports with a serial cable and open a terminal session you can press **Ctrl-T** to enable console switching mode. Press Ctrl-T multiple times to cycle through the FIM and FPM module FortiOS CLIs (the new destination is displayed in the terminal window). If you press **Ctrl-T** after connecting to the FPM module in slot 6 the console is disconnected. Press Ctrl-T again to start over again at slot 1.

Example: connecting to the FortiOS CLI of the FIM in slot 1

Use the following steps to connect to the FortiOS CLI of the FPM in slot 3:

1. Connect the console cable supplied with your chassis to Console 1 and to your PC or other device RS-232 console port.
2. Start a terminal emulation program on the management computer. Use these settings:
Baud Rate (bps) 9600, Data bits 8, Parity None, Stop bits 1, and Flow Control None.
3. Press **Ctrl-T** to enter console switch mode.

4. Repeat pressing **Ctrl-T** until you have connected to slot 1. Example prompt:
`<Switching to Console: FPM03 (9600)>`
5. Log in to the CLI.
6. When your session is complete, enter the `exit` command to log out or use **Ctrl-T** to switch to another module CLI.

Using direct SLBC logging to optimize logging performance

Direct SLBC logging improves performance by sending FPM syslog or FortiAnalyzer log messages directly to one of the M1, M2, M3, or M4 interfaces of the FIM in slot 1 or slot 2. You can also create a LAG of the M1 and M2 interfaces of one or both FIMs or a LAG of the M3 and M4 interfaces of one or both FIMs and send log messages to this LAG. Log messages are sent from the FPMs over the chassis management backplane, directly to the configured M interface or LAG, bypassing FIM CPUs. Direct logging may also improve logging performance by separating logging traffic from data traffic.

Choose the interface to use for direct SLBC logging depending on your expected log message bandwidth requirements and the other uses you might have for the 100G M1 and M2 interfaces or the 10G M3 and M4 interfaces. The interface that you choose has to have an IP address. The FortiAnalyzers or the syslog servers must be reachable from the interface. The interface can't be used for other traffic. No special syslog configuration is required. If you are sending syslog messages, the syslog servers must be able to accept log messages over UDP.

Use the following command to enable direct SLBC logging and select an interface to send log messages to.

```
config log slbc global-setting
  set direct-log-mode {faz-udp | udp}
  set direct-log-dev <interface-name>
end
```

`direct-log-mode {faz-udp | udp}` set the direct logging mode:

`faz-udp` use direct SLBC logging to send FortiAnalyzer log messages over UDP to one or more FortiAnalyzers.

`udp` use direct SLBC logging to send syslog messages over UDP to one or more syslog servers.



Use the following command to disable direct logging:

```
config log slbc global-setting
  unset direct-log-mode
end
```

`direct-log-dev <interface-name>` select the interface to use for direct SLBC logging.

Remote logging for individual FPMs

The FortiGate 7000F supports using VDOM exception functionality to configure different remote logging settings for each FPM. As described in the following sections, you can:

- Configure individual FPMs to send log messages to different FortiAnalyzers or syslog servers.
- Configure VDOMs on individual FPMs to send log messages to different FortiAnalyzers or syslog servers.



This configuration is only supported for `fortianalyzer` and `syslogd` and not for `fortianalyzer2`, `fortianalyzer3`, `fortianalyzer-cloud`, `syslogd2`, `syslogd3`, and `syslogd4`.



When you have completed the VDOM exception configurations described in this section, the FIMs and FPMs will have different logging configurations. In addition, some configurations that are affected by the logging configuration (for example, DLP content archiving) will be different on some modules. Because of this, using the various methods available to check for synchronization between modules will show that the configurations of the modules are not synchronized. The FortiGate 7000F will continue to operate normally even with these configuration synchronization issues.

Some VDOM exception options not supported in HA mode

When a FortiGate 7000F is operating in FGCP HA mode, only the following `vdom-exception` options can be configured:

```
log.fortianalyzer.setting
log.fortianalyzer.override-setting
log.syslogd.setting
log.syslogd.override-setting
```

The CLI returns an error message if you attempt to configure a `vdom-exception` that is not configurable in HA mode.

Also in HA mode, only the primary FortiGate 7000F can send log messages from individual VDOMs because only the data interfaces on the primary FortiGate 7000F are active.

Configuring individual FPMs to send logs to different FortiAnalyzers

The following steps show how to configure the two FPMs in a FortiGate 7121F to send log messages to different FortiAnalyzers. The FPMs connect to their FortiAnalyzers through the SLBC management interface. This procedure assumes you have the following three FortiAnalyzers:

FortiAnalyzer IP address	Intended use
172.25.176.10	The FIMs send log messages to this FortiAnalyzer.
172.25.176.100	The FPM in slot 3 sends log messages to this FortiAnalyzer.
172.25.176.110	The FPM in slot 4 sends log messages to this FortiAnalyzer.

This procedure involves creating a FortiAnalyzer configuration template on the primary FIM that is synchronized to the FPMs. You then log into each FPM and change the FortiAnalyzer server IP address to the address of the FortiAnalyzer that the FPM should send log messages to.



This configuration is only supported for `fortianalyzer` and not for `fortianalyzer2`, `fortianalyzer3`, and `fortianalyzer-cloud`.

1. Log into the primary FIM CLI.
2. Create a FortiAnalyzer configuration template on the primary FIM.

```
config global
  config log fortianalyzer setting
    set status enable
    set server 172.25.176.10
    set upload-option realtime
  end
```

This configuration will be synchronized to all of the FIMs and FPMs.



The FortiAnalyzer VDOM exception configuration requires `upload-option` to be set to `realtime`.

3. Enter the following command to prevent the FortiGate 7121F from synchronizing FortiAnalyzer settings between FIMs and FPMs:

```
config system vdom-exception
  edit 1
    set object log.fortianalyzer.setting
  end
```

4. Log into the CLI of the FPM in slot 3:

For example, you can start a new SSH connection using the special management port for slot 3:

```
ssh <management-ip>:2203
```

Or you can use the following command from the global primary FIM CLI:

```
execute load-balance slot manage 3
```



FortiOS will log you out of the CLI of the FPM in slot 3 in less than 60 seconds. You should have enough time to change the FortiAnalyzer server IP address as described in the next step, but not much else. If you run out of time on your first attempt, you can keep trying until you succeed.

5. Change the FortiAnalyzer server IP address:

```
config global
  config log fortianalyzer setting
    set server 172.25.176.100
  end
```

You should see messages similar to the following on the CLI:

```
Please change configuration on FIMs. Changing configuration on FPMs may cause confsync
out of sync for a while.
```

```
The Serial Number for FortiAnalyzer is not entered.
```

```
In order to verify identity of FortiAnalyzer serial number is needed.
```

```
If serial number is not set, connection will be set as unverified and
```

```
access to local config and files will be accessible only with user name/password.
```

```
FortiGate can establish a connection to obtain the serial number now.Do you want to try
to connect now? (y/n)y
```



If `upload-option` is not set to `realtime`, messages similar to the following appear and your configuration change will not be saved:

```
Please change configuration on FIMs. Changing configuration on FPMs
may cause confsync out of sync for a while.
```

```
Can only set upload option to real-time mode when Security Fabric is
enabled.
```

```
object set operator error, -39 discard the setting
Command fail. Return code -39
```

6. Enter Y to confirm the serial number. Messages similar to the following should appear:

```
Obtained serial number from X509 certificate of Fortianalyzer is: <serial>
Serial number from certificate MUST be the same as serial number observed in
Fortianalyzer.
```

```
If these two serial numbers don't match, connection will be dropped.
```

```
Please make sure the serial numbers are matching.
```

```
In case that Fortianalyzer is using a third-party certificate, certificate verification
must be disabled.
```

```
Do you confirm that this is the correct serial number? (y/n)y
```

7. Enter Y to confirm the serial number.

8. Use the `exit` command to log out of the FPM CLI. Otherwise you are logged out of the FPM CLI in less than a minute.

9. Log into the CLI of the FPM in slot 4.

10. Change the FortiAnalyzer server IP address:

```
config global
  config log fortianalyzer setting
    set server 172.25.176.110
  end
```

When you change the FortiAnalyzer server IP address, messages appear like they did when you were logged into the FPM in slot 3 and you can confirm the FortiAnalyzer serial number.

11. Use the `exit` command to log out of the FPM CLI. Otherwise you are logged out of the FPM CLI in less than a minute.

Configuring VDOMs on individual FPMs to send logs to different FortiAnalyzers

The following steps describe how to override the global FortiAnalyzer configuration for individual VDOMs on individual FPMs. The example shows how to configure the root VDOMs on the three FPMs in a FortiGate 7121F to send log messages to different FortiAnalyzers. Each root VDOM connects to FortiAnalyzer through a root VDOM data interface. This procedure assumes you have the following two FortiAnalyzers:

FortiAnalyzer IP address	Intended use
172.25.176.120	The root VDOM on the FPM in slot 3 sends log messages to this FortiAnalyzer.
172.25.176.130	The root VDOM on the FPM in slot 4 sends log messages to this FortiAnalyzer.



This configuration is only supported for `fortianalyzer` and not for `fortianalyzer2`, `fortianalyzer3`, and `fortianalyzer-cloud`.

1. Log into the primary FIM CLI.
2. Use the following command to prevent the FortiGate 7121F from synchronizing FortiAnalyzer override settings between FPMs:

```
config global
  config system vdom-exception
    edit 1
      set object log.fortianalyzer.override-setting
    end
  end
end
```

3. Log into the CLI of the FPM in slot 3:

For example you can start a new SSH connection using the special management port for slot 3:

```
ssh <management-ip>:2203
```

Or you can use the following command from the global primary FIM CLI:

```
execute load-balance slot manage 3
```



The system will log you out of the CLI of the FPM in slot 3 in less than 60 seconds. You should have enough time to complete the following steps. If you run out of time on your first attempt, you can keep trying until you succeed.

4. Access the root VDOM of the FPM in slot 3 and enable overriding the FortiAnalyzer configuration for the root VDOM.

```
config vdom
  edit root
    config log setting
      set faz-override enable
    end
end
```

A message similar to the following appears; which you can ignore:

```
Please change configuration on FIMs. Changing configuration on FPMs may cause confsync
out of sync for a while.
```

5. Configure FortiAnalyzer override to send log messages to a FortiAnalyzer with IP address 172.25.176.120:

```
config log fortianalyzer override-setting
  set status enable
  set server 172.25.176.120
end
```

You should see messages similar to the following on the CLI:

```
Please change configuration on FIMs. Changing configuration on FPMs may cause confsync
out of sync for a while.
```

```
The Serial Number for FortiAnalyzer is not entered.
```

```
In order to verify identity of FortiAnalyzer serial number is needed.
```

```
If serial number is not set, connection will be set as unverified and
```

```
access to local config and files will be accessible only with user name/password.
```

```
FortiGate can establish a connection to obtain the serial number now.Do you want to try
to connect now? (y/n)y
```

6. Enter Y to confirm the serial number. Messages similar to the following should appear:

```
Obtained serial number from X509 certificate of Fortianalyzer is: <serial>
```

```
Serial number from certificate MUST be the same as serial number observed in
Fortianalyzer.
```

```
If these two serial numbers don't match, connection will be dropped.
```

```
Please make sure the serial numbers are matching.
```

```
In case that Fortianalyzer is using a third-party certificate, certificate verification
must be disabled.
```

```
Do you confirm that this is the correct serial number? (y/n)y
```

7. Enter Y to confirm the serial number.
8. Use the `exit` command to log out of the FPM CLI. Otherwise you are logged out of the FPM CLI in less than a minute
9. Log into the CLI of the FPM in slot 4.
10. Access the root VDOM of the FPM in slot 4 and enable overriding the FortiAnalyzer configuration for the root VDOM.

```
config vdom
  edit root
    config log setting
      set faz-override enable
    end
```

A message similar to the following appears; which you can ignore:

```
Please change configuration on FIMs. Changing configuration on FPMs may cause confsync
out of sync for a while.
```

11. Configure FortiAnalyzer override to send log messages to a FortiAnalyzer with IP address 172.25.176.130:

```
config log fortianalyzer override-setting
  set status enable
  set server 172.25.176.130
end
```

Messages appear like they did when you were logged into the FPM in slot 3 and you can confirm the FortiAnalyzer serial number.

12. Use the `exit` command to log out of the FPM CLI. Otherwise you are logged out of the FPM CLI in less than a minute.

Configuring individual FPMs to send logs to different syslog servers

The following steps show how to configure the two FPMs in a FortiGate 7121F to send log messages to different syslog servers. The FPMs connect to the syslog servers through the SLBC management interface. This procedure assumes you have the following three syslog servers:

syslog server IP address	Intended use
172.25.176.20	The FIMs send log messages to this syslog server.
172.25.176.200	The FPM in slot 3 sends log messages to this syslog server.
172.25.176.210	The FPM in slot 4 sends log messages to this syslog server.

This procedure involves creating a syslog configuration template on the primary FIM that is synchronized to the FPMs. You then log into each FPM and change the syslog server IP address to the address of the syslog server that the FPM should send log messages to.



This configuration is only supported for `syslogd` and not for `syslogd2`, `syslogd3`, and `syslogd4`.

1. Log into the primary FIM CLI.
2. Create a syslog configuration template on the primary FIM.

```
config global
  config log syslogd setting
```

```

    set status enable
    set server 172.25.176.20
end

```

This configuration will be synchronized to all of the FIMs and FPMs.

3. Enter the following command to prevent the FortiGate 7121F from synchronizing syslog settings between FIMs and FPMs:

```

config system vdom-exception
  edit 1
    set object log.syslogd.setting
  end

```

4. Log into the CLI of the FPM in slot 3:

For example, you can start a new SSH connection using the special management port for slot 3:

```
ssh <management-ip>:2203
```

Or you can use the following command from the global primary FIM CLI:

```
execute load-balance slot manage 3
```



FortiOS will log you out of the CLI of the FPM in slot 3 in less than 60 seconds. You should have enough time to change the syslog server IP address as described in the next step, but not much else. If you run out of time on your first attempt, you can keep trying until you succeed.

5. Change the syslog server IP address:

```

config global
  config log syslogd setting
    set server 172.25.176.200
  end

```

A message similar to the following appears; which you can ignore:

```

Please change configuration on FIMs. Changing configuration on FPMs may cause confsync
out of sync for a while.

```

6. Use the `exit` command to log out of the FPM CLI. Otherwise you are logged out of the FPM CLI in less than a minute.
7. Log into the CLI of the FPM in slot 4.

8. Change the syslog server IP address:

```

config global
  config log syslogd setting
    set server 172.25.176.210
  end

```

A message similar to the following appears; which you can ignore:

```

Please change configuration on FIMs. Changing configuration on FPMs may cause confsync
out of sync for a while.

```

9. Use the `exit` command to log out of the FPM CLI. Otherwise you are logged out of the FPM CLI in less than a minute.

Configuring VDOMs on individual FPMs to send logs to different syslog servers

The following steps describe how to override the global syslog configuration for individual VDOMs on individual FPMs. The example shows how to configure the root VDOMs on FPMs in a FortiGate 7121F to send log messages to different syslog servers. Each root VDOM connects to a syslog server through a root VDOM data interface. This procedure assumes you have the following two syslog servers:

syslog server IP address	Intended use
172.25.176.220	The root VDOM on the FPM in slot 3 sends log messages to this syslog server.
172.25.176.230	The root VDOM on the FPM in slot 4 sends log messages to this syslog server.



This configuration is only supported for `syslogd` and not for `syslogd2`, `syslogd3`, and `syslogd4`.

1. Log into the primary FIM CLI.
2. Use the following command to prevent the FortiGate 7121F from synchronizing syslog override settings between FPMs:

```
config global
  config system vdom-exception
    edit 1
      set object log.syslogd.override-setting
    end
  end
end
```

3. Log into the CLI of the FPM in slot 3:

For example you can start a new SSH connection using the special management port for slot 3:

```
ssh <management-ip>:2203
```

Or you can use the following command from the global primary FIM CLI:

```
execute load-balance slot manage 3
```



The system will log you out of the CLI of the FPM in slot 3 in less than 60 seconds. You should have enough time to complete the following steps. If you run out of time on your first attempt, you can keep trying until you succeed.

4. Access the root VDOM of the FPM in slot 3 and enable overriding the syslog configuration for the root VDOM.

```
config vdom
  edit root
    config log setting
      set syslog-override enable
    end
end
```

A message similar to the following appears; which you can ignore:

```
Please change configuration on FIMs. Changing configuration on FPMs may cause confsync
out of sync for a while.
```

5. Configure syslog override to send log messages to a syslog server with IP address 172.25.176.220:

```
config log syslogd override-setting
  set status enable
  set server 172.25.176.220
end
```

A message similar to the following appears; which you can ignore:

```
Please change configuration on FIMs. Changing configuration on FPMs may cause confsync
out of sync for a while.
```

6. Use the `exit` command to log out of the FPM CLI. Otherwise you are logged out of the FPM CLI in less than a minute.

7. Access the root VDOM of the FPM in slot 4 and enable overriding the syslog configuration for the root VDOM.

```
config vdom
```

```
edit root
  config log setting
    set syslog-override enable
  end
```

A message similar to the following appears; which you can ignore:

```
Please change configuration on FIMs. Changing configuration on FPMs may cause confsync
out of sync for a while.
```

8. Configure FortiAnalyzer override to send log messages to a FortiAnalyzer with IP address 172.25.176.130:

```
config log syslogd override-setting
  set status enable
  set server 172.25.176.230
end
```

A message similar to the following appears; which you can ignore:

```
Please change configuration on FIMs. Changing configuration on FPMs may cause confsync
out of sync for a while.
```

9. Use the `exit` command to log out of the FPM CLI. Otherwise you are logged out of the FPM CLI in less than a minute.

Firmware upgrade basics

All of the FIMs and FPMs in your FortiGate 7000F system run the same firmware image. You upgrade the firmware from the primary FIM GUI or CLI just as you would any FortiGate product.

You can perform a graceful firmware upgrade of a FortiGate 7000F FGCP HA cluster by setting `upgrade-mode` to `uninterruptible` and enabling `session-pickup`. A graceful firmware upgrade only causes minimal traffic interruption.

Upgrading the firmware of a standalone FortiGate 7000F, or FortiGate 7000F HA cluster with `upgrade-mode` set to `simultaneous` interrupts traffic because the firmware running on the FIMs and FPMs upgrades in one step. These firmware upgrades should be done during a quiet time because traffic will be interrupted during the upgrade process.

A firmware upgrade takes a few minutes, depending on the number of FIMs and FPMs in your FortiGate 7000F system. Some firmware upgrades may take longer depending on factors such as the size of the configuration.

Before beginning a firmware upgrade, Fortinet recommends that you perform the following tasks:

- Review the latest release notes for the firmware version that you are upgrading to.
- Verify the recommended upgrade path as documented in the release notes.
- Back up your FortiGate 7000F configuration.



To make sure a FortiGate 7000F firmware upgrade is successful, before starting the upgrade Fortinet recommends you use health checking to make sure the FIMs and FPMs are all synchronized and operating as expected.

If you are following a multi-step upgrade path, you should re-do health checking after each upgrade step to make sure all components are synchronized before the next step.

You should also perform a final round of health checking after the firmware upgrade process is complete.

For recommended health checking commands, see the following Fortinet community article:

[Technical Tip: FortiGate-6000/7000 Chassis health check commands.](#)



Fortinet recommends that you review the services provided by your FortiGate 7000F before a firmware upgrade and then again after the upgrade to make sure the services continues to operate normally. For example, you might want to verify that you can successfully access an important server used by your organization before the upgrade and make sure that you can still reach the server after the upgrade, and performance is comparable. You can also take a snapshot of key performance indicators (for example, number of sessions, CPU usage, and memory usage) before the upgrade and verify that you see comparable performance after the upgrade.

Verifying that a firmware upgrade is successful

After a FortiGate 7000F firmware upgrade, you should verify that all of the FIMs and FPMs have been successfully upgraded to the new firmware version.

After the firmware upgrade appears to be complete:

1. Log into the primary FIM and verify that it is running the expected firmware version.
You can verify the firmware version running on the primary FIM from the System Information dashboard widget or by using the `get system status` command.
2. Confirm that the FortiGate 7000F is synchronized.
View the Cluster Status dashboard widget to verify the configuration status of the FIMs and FPMs. You can also use the `diagnose sys confsync status | grep in_sy` command to see if the FIMs and FPMs are all synchronized. In the command output, `in_sync=1` means the FIM or FPM is synchronized. `in_sync=0` means the FIM or FPM is not synchronized, which could indicate the FIM or FPM is running a different firmware build than the primary FIM.
3. Optionally, you can also log into the other FIM and FPMs, and in the same way confirm that they are also running the expected firmware version and are synchronized.

Installing firmware on individual FIMs or FPMs

You can install firmware on individual FIMs or FPMs by logging into the FIM or FPM GUI or CLI. You can also setup a console connection to the FortiGate 7000F front panel SMM and install firmware on individual FIMs or FPMs from a TFTP server after interrupting the FIM or FPM boot up sequence from the BIOS.

Normally you wouldn't need to upgrade the firmware on individual FIMs or FPMs because the FortiGate 7000F keeps the firmware on all of the FIMs and FPMs synchronized. However, FIM or FPM firmware may go out of sync in the following situations:

- Communication issues during a normal FortiGate 7000F firmware upgrade.
- Installing a replacement FIM or FPM that is running a different firmware version.
- Installing firmware on or formatting an FIM or FPM from the BIOS.

To verify the firmware versions on each FIM or FPM you can check individual FIM and FPM GUIs or enter the `get system status` command from each FIM or FPM CLI. You can also use the `diagnose sys confsync status | grep in_sy` command to see if the FIMs and FPMs are all synchronized. In the command output, `in_sync=1` means

the FIM or FPM is synchronized. `in_sync=0` means the FIM or FPM is not synchronized, which could indicate the FIM or FPM is running a different firmware build than the primary FIM.

The procedures in this section work for FIMs or FPMs in a standalone FortiGate 7000F. These procedures also work for FIMs or FPMs in the primary FortiGate 7000F in an HA configuration. To upgrade firmware on an FIM or FPM in the secondary FortiGate 7000F in an HA configuration, you should either remove the secondary FortiGate 7000F from the HA configuration or cause a failover so that the secondary FortiGate 7000F becomes the primary FortiGate 7000F.

In general, if you need to update both FIMs and FPMs in the same FortiGate 7000F, you should update the FIMs first as the FPMs can only communicate through FIM interfaces.

Upgrading the firmware on an individual FIM

During the upgrade, the FIM will not be able to process traffic. However, the other FIM and the FPMs should continue to operate normally.

To upgrade the firmware on a individual FIM from the GUI

1. Connect to the FIM GUI using the SLBC management IP address and the special management port number for that FIM. For example, for the FIM in slot 2, browse to `https://<SLBC-management-ip>:44302`.
2. Start a normal firmware upgrade. For example,
 - a. Go to **System > Firmware** and select **Browse** to select the firmware file to install.
 - b. Follow the prompts to select the firmware file, save the configuration, and upload the firmware file to the FPM.
3. After the FIM restarts, verify that the new firmware has been installed.

You can do this from the FIM GUI dashboard or from the FIM CLI using the `get system status` command.

4. Use the `diagnose sys confsync status | grep in_sy` command to verify that the configuration of the FIM has been synchronized. The field `in_sync=1` indicates that the configurations of that FIM or FPM is synchronized.

FIMs and FPMs that are missing or that show `in_sync=0` are not synchronized. To synchronize an FIM or FPM that is not synchronized, log into the CLI of the FIM or FPM and restart it using the `execute reboot` command. If this does not solve the problem, contact Fortinet Support at <https://support.fortinet.com>.

If you enter the `diagnose sys confsync status | grep in_sy` command before the FIM has completely restarted, it will not appear in the command output. As well, the Cluster status dashboard widget will temporarily show that it is not synchronized.

To upgrade the firmware on a individual FIM from the CLI using TFTP

1. Put a copy of the firmware file on a TFTP server that is accessible from the SLBC management interface.
2. Connect to the FIM CLI by using an SSH client. For example, to connect to the CLI of the FIM in slot 2, connect to `<SLBC-management-ip>:2201`.
3. Enter the following command to upload the firmware file to the FIM:

```
execute upload image tftp <firmware-filename> comment <tftp-server-ip-address>
```

4. After the FIM restarts, verify that the new firmware has been installed.

You can do this from the FIM GUI dashboard or from the FIM CLI using the `get system status` command.

5. Use the `diagnose sys confsync status | grep in_sy` command to verify that the configuration of the FIM has been synchronized. The field `in_sync=1` indicates that the configurations of that FIM or FPM is synchronized.

FIMs and FPMs that are missing or that show `in_sync=0` are not synchronized. To synchronize an FIM or FPM that is not synchronized, log into the CLI of the FIM or FPM and restart it using the `execute reboot` command. If this does not solve the problem, contact Fortinet Support at <https://support.fortinet.com>.

If you enter the `diagnose sys confsync status | grep in_sy` command before the FIM has completely restarted, it will not appear in the command output. As well, the Cluster status dashboard widget will temporarily show that it is not synchronized.

Upgrading the firmware on an individual FPM

Use the following procedure to upgrade the firmware running on a single FPM from the GUI.

During this procedure, the FPM will not be able to process traffic. However, the other FPMs and the FIMs should continue to operate normally.



To upgrade the firmware running on a single FPM from the CLI, see [Installing FPM firmware from the BIOS after a reboot on page 129](#).

1. Connect to the FPM GUI using the SLBC management IP address and the special management port number for that FPM. For example, for the FPM in slot 3, browse to `https://<SLBC-management-ip>:44303`.
2. Start a normal firmware upgrade. For example,
 - a. Go to **System > Firmware** and select **Browse** to select the firmware file to install.
 - b. Follow the prompts to select the firmware file, save the configuration, and upload the firmware file to the FPM.
3. After the FPM restarts, verify that the new firmware has been installed.
You can do this from the FPM GUI dashboard or from the FPM CLI using the `get system status` command.
4. Use the `diagnose sys confsync status | grep in_sy` command to verify that the configuration has been synchronized. The field `in_sync=1` indicates that the configurations of that FIM or FPM is synchronized.
FIMs and FPMs that are missing or that show `in_sync=0` are not synchronized. To synchronize an FIM or FPM that is not synchronized, log into the CLI of the FIM or FPM and restart it using the `execute reboot` command. If this does not solve the problem, contact Fortinet Support at <https://support.fortinet.com>.
If you enter the `diagnose sys confsync status | grep in_sy` command before the FPM has completely restarted, it will not appear in the command output. As well, the Cluster status dashboard widget will temporarily show that it is not synchronized.

Installing FIM firmware from the BIOS after a reboot

Use the following procedure to upload firmware from a TFTP server to an FIM. The procedure involves creating a connection between the TFTP server and one of the FIM MGMT interfaces. You don't have to use a MGMT interface on the FIM that you are upgrading.

This procedure also involves connecting to the FIM CLI using a FortiGate 7000F front panel System Management Module console port. From the console session, the procedure describes how to restart the FIM, interrupt the boot process, and follow FIM BIOS prompts to install the firmware.

During this procedure, the FIM will not be able to process traffic. However, the other FIM and the FPMs should continue to operate normally.

1. Set up a TFTP server and copy the firmware file to the TFTP server default folder.
2. Set up your network to allow traffic between the TFTP server and one of the FIM MGMT interfaces.
3. Using the console cable supplied with your FortiGate 7000F, connect the SMM Console 1 port on the FortiGate 7000F to the USB port on your management computer.
4. Start a terminal emulation program on the management computer. Use these settings:
Baud Rate (bps) 9600, Data bits 8, Parity None, Stop bits 1, and Flow Control None.
5. Press Ctrl-T to enter console switch mode.
6. Repeat pressing Ctrl-T until you have connected to the FIM to be updated. Example prompt for the FIM in slot 2:
<Switching to Console: FIM02 (9600)>
7. Optionally log in to the FIM's CLI.
8. Reboot the FIM.
You can do this using the `execute reboot` command from the CLI or by pressing the power switch on the FIM front panel.
9. When the FIM starts up, follow the boot process in the terminal session, and press any key when prompted to interrupt the boot process.
10. To set up the TFTP configuration, press C.
11. Use the BIOS menu to set the following. Change settings only if required.
[P]: Set image download port: MGMT1 (the connected MGMT interface.)
[D]: Set DHCP mode: Disabled
[I]: Set local IP address: The IP address of the MGMT interface that you want to use to connect to the TFTP server. This address must not be the same as the FortiGate 7000F management IP address and cannot conflict with other addresses on your network.
[S]: Set local Subnet Mask: Set as required for your network.
[G]: Set local gateway: Set as required for your network.
[V]: Local VLAN ID: Should be set to <none>. (use -1 to set the Local VLAN ID to <none>.)
[T]: Set remote TFTP server IP address: The IP address of the TFTP server.
[F]: Set firmware image file name: The name of the firmware image file that you want to install.
12. To quit this menu, press Q.
13. To review the configuration, press R.
To make corrections, press C and make the changes as required. When the configuration is correct, proceed to the next step.
14. To start the TFTP transfer, press T.
The firmware image is uploaded from the TFTP server and installed on the FIM. The FIM then restarts with its configuration reset to factory defaults. After restarting, the FIM configuration is synchronized to match the configuration of the primary FIM. The FIM restarts again and can start processing traffic.
15. Once the FIM restarts, verify that the correct firmware is installed.
You can do this from the FIM GUI dashboard or from the FIM CLI using the `get system status` command.
16. Use the `diagnose sys confsync status | grep in_sy` command to verify that the configuration has been synchronized. The field `in_sync=1` indicates that the configurations of the FIM or FPM is synchronized. FIMs and FPMs that are missing or that show `in_sync=0` are not synchronized. To synchronize an FIM or FPM that is not synchronized, log into the CLI of the FIM or FPM and restart it using the `execute reboot` command. If this does not solve the problem, contact Fortinet Support at <https://support.fortinet.com>.
If you enter the `diagnose sys confsync status | grep in_sy` command before the FIM has restarted, it will not appear in the command output. As well, the Cluster status dashboard widget will temporarily show that it is not synchronized.

Installing FPM firmware from the BIOS after a reboot

Use the following procedure to upload firmware from a TFTP server to an FPM. To perform the upgrade, you must first upload the firmware file to the TFTP server on one of the FIMs.

This procedure also involves connecting to the FPM CLI using a FortiGate 7000F front panel SMM console port, rebooting the FPM, interrupting the boot from the console session, and following FPM BIOS prompts to install the firmware from the FIM TFTP server.

During this procedure, the FPM will not be able to process traffic. However, the other FPMs and the FIMs should continue to operate normally.

1. Set up a TFTP server and copy the firmware file into the TFTP server default folder.
2. Set up your network to allow traffic between the TFTP server and the MGMT1 or MGMT2 interface of one of the FIMs.
3. Log into the CLI of the FIM.

4. Enter the following command to upload the firmware file from the TFTP server to the FIM:

```
execute upload image tftp <firmware-filename> comment <tftp-server-ip-address>
```

5. Enter the following command to verify that the firmware file has been uploaded to the FIM:

```
fnsysctl ls /data2/tftpboot/
```

6. Confirm the internal address of FIM, which is also the address of the FIM's TFTP server:

```
fnsysctl ifconfig base-tftp
```

Example output:

```
base-tftp Link encap:Ethernet HWaddr 06:76:A0:75:E8:F1
inet addr:169.254.254.1 Bcast:169.254.254.255 Mask:255.255.255.0
```

The internal IP addresses of each FIM and FPM is 169.254.254.<slot-number>.

7. Using the console cable supplied with your FortiGate 7000F, connect the SMM Console 1 port on the FortiGate 7000F to the USB port on your management computer.
8. Start a terminal emulation program on the management computer. Use these settings: Baud Rate (bps) 9600, Data bits 8, Parity None, Stop bits 1, and Flow Control None.
9. Press Ctrl-T to enter console switch mode.
10. Repeat pressing Ctrl-T until you have connected to the module to be updated. Example prompt: <Switching to Console: FPM03 (9600)>

11. Optionally log into the FPM's CLI.

12. Reboot the FPM.

You can do this using the `execute reboot` command from the FPM's CLI or by pressing the power switch on the FPM front panel.

13. When the FPM starts up, follow the boot process in the terminal session and press any key when prompted to interrupt the boot process.

14. To set up the TFTP configuration, press C.

15. Use the BIOS menu to set the following. Change settings only if required.

```
[P]: Set image download port: FIM01 TFTP Server (the FIM that you uploaded the firmware file to).
```

```
[D]: Set DHCP mode: Disabled.
```

```
[I]: Set local IP address: The internal IP address of the FPM. For example, if you are installing firmware on the FPM in slot 5, the local IP address of the FPM in slot 5 is 169.254.254.5.
```

```
[S]: Set local Subnet Mask: 255.255.255.0.
```

[G]: Set local gateway: 169.254.254.1.

[V]: Local VLAN ID: Should be set to <none>. (use -1 to set the Local VLAN ID to <none>.)

[T]: Set remote TFTP server IP address: The internal IP address of the FIM that you uploaded to the firmware file to. For example: 169.254.254.1 for the FIM in slot 1.

[F]: Set firmware image file name: The name of the firmware file that you want to install.

16. To quit this menu, press Q.

17. To review the configuration, press R.

To make corrections, press C and make the changes as required. When the configuration is correct proceed to the next step.

18. To start the TFTP transfer, press T.

The firmware image is uploaded from the TFTP server of the FIM and installed on the FPM. The FPM then restarts with its configuration reset to factory defaults. After restarting, the FPM configuration is synchronized to match the configuration of the primary FPM. The FPM restarts again and can start processing traffic.

19. Once the FPM restarts, verify that the correct firmware is installed.

You can do this from the FPM GUI dashboard or from the FPM CLI using the `get system status` command.

20. Verify that the configuration has been synchronized.

The following command output shows example FortiGate-7000 sync status. The field `in_sync=1` indicates that the configurations of the FIMs and FPMs are synchronized.

```
diagnose sys confsync status | grep in_sy
FIM21FTB21000068, Secondary, uptime=210445.62, priority=2, slot_id=1:1, idx=1, flag=0x0, in_sync=1
FIM21FTB21000063, Primary, uptime=351403.75, priority=1, slot_id=1:2, idx=0, flag=0x0, in_sync=1
FPM20FTB20990039, Secondary, uptime=351253.83, priority=18, slot_id=1:5, idx=2, flag=0x64, in_sync=1
FPM20FTB20990047, Secondary, uptime=352.27, priority=16, slot_id=1:3, idx=3, flag=0x64, in_sync=1
FPM20FTB20990078, Secondary, uptime=227839.73, priority=17, slot_id=1:4, idx=4, flag=0x64, in_sync=1
FPM20FTB20990091, Secondary, uptime=351248.85, priority=22, slot_id=1:9, idx=5, flag=0x64, in_sync=1
FPM20FTB20990095, Secondary, uptime=351240.13, priority=20, slot_id=1:7, idx=6, flag=0x64, in_sync=1
FPM20FTB21900096, Secondary, uptime=351272.50, priority=24, slot_id=1:11, idx=7, flag=0x64, in_sync=1
FPM20FTB21900179, Secondary, uptime=351247.07, priority=19, slot_id=1:6, idx=8, flag=0x64, in_sync=1
FPM20FTB21900182, Secondary, uptime=351242.02, priority=25, slot_id=1:12, idx=9, flag=0x64, in_sync=1
FPM20FTB21900203, Secondary, uptime=351228.51, priority=21, slot_id=1:8, idx=10, flag=0x64, in_sync=1
FPM20FTB21900211, Secondary, uptime=351252.93, priority=23, slot_id=1:10, idx=11, flag=0x64, in_sync=1
FPM20FTB20990047, Secondary, uptime=351252.27, priority=16, slot_id=1:3, idx=2, flag=0x4, in_sync=1
FIM21FTB21000063, Primary, uptime=351403.75, priority=1, slot_id=1:2, idx=0, flag=0x0, in_sync=1
FIM21FTB21000068, Secondary, uptime=210445.62, priority=2, slot_id=1:1, idx=1, flag=0x0, in_sync=1
FPM20FTB20990078, Secondary, uptime=227839.73, priority=17, slot_id=1:4, idx=2, flag=0x4, in_sync=1
```

FIMs and FPMs that are missing or that show `in_sync=0` are not synchronized. To synchronize an FIM or FPM that is not synchronized, log into the CLI of the FIM or FPM and restart it using the `execute reboot` command. If this does not solve the problem, contact Fortinet Support at <https://support.fortinet.com>.

The command output also shows that the uptime of the FPM in slot 3 is lower than the uptime of the other modules, indicating that the FPM in slot 3 has recently restarted.

If you enter the `diagnose sys confsync status | grep in_sy` command before the FPM has restarted, it will not appear in the command output. As well, the Cluster status dashboard widget will temporarily show that it is not synchronized.

Synchronizing FIMs and FPMs after upgrading the primary FIM firmware from the BIOS

After you install firmware on the primary FIM from the BIOS after a reboot, the firmware version and configuration of the primary FIM will most likely be not be synchronized with the other FIMs and FPMs. You can verify this from the primary FIM CLI using the `diagnose sys confsync status | grep in_sy` command.

```
FortiCarrier-7000F [FIM01] (global) # diagnose sys confsync status | grep in_sy
FIM21FTB21000063, Secondary, uptime=327.36, priority=2, slot_id=1:2, idx=0, flag=0x0, in_sync=1
FIM21FTB21000068, Primary, uptime=327729.56, priority=1, slot_id=1:1, idx=1, flag=0x0, in_sync=0
FPM20FTB21900165, Secondary, uptime=327578.35, priority=17, slot_id=1:4, idx=2, flag=0x64, in_sync=1
FPM20FTB21900168, Secondary, uptime=327527.53, priority=24, slot_id=1:11, idx=3, flag=0x64, in_sync=0
FPM20FTB21900170, Secondary, uptime=327520.91, priority=18, slot_id=1:5, idx=4, flag=0x64, in_sync=1
FPM20FTB21900179, Secondary, uptime=327556.85, priority=19, slot_id=1:6, idx=5, flag=0x64, in_sync=1
FPM20FTB21900182, Secondary, uptime=327579.41, priority=25, slot_id=1:12, idx=6, flag=0x64, in_sync=1
FPM20FTB21900186, Secondary, uptime=327559.41, priority=16, slot_id=1:3, idx=7, flag=0x64, in_sync=1
FPM20FTB21900189, Secondary, uptime=327591.45, priority=22, slot_id=1:9, idx=8, flag=0x64, in_sync=1
...
```

You can also verify synchronization status from the primary FIM Cluster status dashboard widget.

To re-synchronize the FortiGate 7000F, which has the effect of resetting the other FIM and the FPMs, re-install firmware on the primary FIM.



You can also manually install firmware on each individual FIM and FPM from the BIOS after a reboot. This manual process is just as effective as installing the firmware for a second time on the primary FIM to trigger synchronization to the FIM and the FPMs, but takes much longer.

1. Log into the primary FIM GUI.
2. Install a firmware build on the primary FIM from the GUI or CLI. The firmware build you install on the primary FIM can either be the same firmware build or a different one.
Installing firmware synchronizes the firmware build and configuration from the primary FIM to the other FIM and the FPMs.
3. Check the synchronization status from the Cluster status dashboard widget or using the `diagnose sys confsync status | grep in_sy` command.

Replacing a failed FPM or FIM

This section describes how to remove a failed FPM or FIM and replace it with a new one. The procedure is slightly different depending on if you are operating in HA mode with two FortiGate 7000Fs or just operating a standalone FortiGate 7000F.

Replacing a failed FPM or FIM in a standalone FortiGate 7000F

1. Power down the failed FPM or FIM by pressing the front panel power button.
2. Remove the FPM or FIM from the chassis.
3. Insert the replacement FPM or FIM . It should power up when inserted into the chassis if the chassis has power.

4. The FPM or FIM configuration is synchronized and its firmware is upgraded to match the firmware version on the primary FIM. The new FPM or FIM reboots.
5. Confirm that the new FPM or FIM is running the correct firmware version either from the GUI or by using the `get system status` command.
Manually update the FPM or FIM to the correct version if required. You can do this by logging into the FPM or FIM and performing a firmware upgrade.
6. Use the `diagnose sys confsync status | grep in_sy` command to confirm that the configuration has been synchronized. The field `in_sync=1` indicates that the configurations of the FPMs and FIMs are synchronized. If `in_sync` is not equal to 1, or if a module is missing in the command output you can try restarting the FPM or FIM in the chassis by entering `execute reboot` from any FPM or FIM CLI. If this does not solve the problem, contact [Fortinet Support](#).

Replacing a failed FPM or FIM in a FortiGate 7000F chassis in an HA cluster

1. Power down the failed FPM or FIM by pressing the front panel power button.
2. Remove the FPM or FIM from the chassis.
3. Insert the replacement FPM or FIM . It should power up when inserted into the chassis if the chassis has power.
4. The FPM or FIM configuration is synchronized and its firmware is upgraded to match the configuration and firmware version on the primary FIM. The new FPM or FIM reboots.
5. Confirm that the FPM or FIM is running the correct firmware version.
Manually update the FPM or FIM to the correct version if required. You can do this by logging into the FPM or FIM and performing a firmware upgrade.
6. Configure the new FPM or FIM for HA operation. For example:

```
config system ha
  set mode a-p
  set chassis-id 1
  set hbdev m1 m2
  set hbdev-vlan-id 999
  set hbdev-second-vlan-id 990
end
```

7. Optionally configure the hostname:

```
config system global
  set hostname <name>
end
```

The HA configuration and the hostname must be set manually because HA settings and the hostname is not synchronized.

8. Use the `diagnose sys confsync status | grep in_sy` command to confirm that the configuration has been synchronized. The field `in_sync=1` indicates that the configurations of the FPMs and FIMs are synchronized. If `in_sync` is not equal to 1, or if a module is missing in the command output you can try restarting the FPM or FIM in the chassis by entering `execute reboot` from any module CLI. If this does not solve the problem, contact Fortinet support at <https://support.fortinet.com>.

Resolving FIM or FPM boot device I/O errors

If an FIM or FPM has boot device I/O errors, messages similar to the following appear during console sessions with the module:

```
EXT2-fs (sda1): previous I/O error to superblock detected
EXT2-fs (sda3): previous I/O error to superblock detected
```

If you see boot device I/O errors similar to these, you should contact Fortinet Support (<https://support.fortinet.com>) for assistance with finding the underlying cause of these errors.

Once the underlying cause is determined and resolved, you use BIOS commands to reformat and restore the affected boot device as described in the following sections.

Formatting an FIM boot device and installing new firmware

You can use the following steps to format an FIM boot device and install new firmware from a TFTP server.

1. Set up a TFTP server and copy the firmware file to the TFTP server default folder.
2. Set up your network to allow traffic between the TFTP server and one of the FIM MGMT interfaces.
3. Using the console cable supplied with your FortiGate 7000F, connect the SMM Console 1 port on the FortiGate 7000F to the USB port on your management computer.
4. Start a terminal emulation program on the management computer. Use these settings:
Baud Rate (bps) 9600, Data bits 8, Parity None, Stop bits 1, and Flow Control None.
5. Press Ctrl-T to enter console switch mode.
6. Repeat pressing Ctrl-T until you have connected to the FIM to be updated. Example prompt for the FIM in slot 2:
<Switching to Console: FIM02 (9600)>
7. Optionally log in to the FIM's CLI.
8. Reboot the FIM.

You can do this using the `execute reboot` command from the CLI or by pressing the power switch on the FIM front panel.

9. When the FIM starts up, follow the boot process in the terminal session, and press any key when prompted to interrupt the boot process.
10. To format the FIM boot disk, press F.
11. Press Y to confirm that you want to erase all data on the boot disk and format it.
When the formatting is complete the FIM restarts.
12. Follow the boot process in the terminal session, and press any key when prompted to interrupt the boot process.
13. To set up the TFTP configuration, press C.
14. Use the BIOS menu to set the following. Change settings only if required.

```
[P]: Set image download port: MGMT1 (the connected MGMT interface.)
```

```
[D]: Set DHCP mode: Disabled
```

```
[I]: Set local IP address: The IP address of the MGMT interface that you want to use to connect to the TFTP server. This address must not be the same as the FortiGate 7000F management IP address and cannot conflict with other addresses on your network.
```

```
[S]: Set local Subnet Mask: Set as required for your network.
```

```
[G]: Set local gateway: Set as required for your network.
```

```
[V]: Local VLAN ID: Should be set to <none>. (use -1 to set the Local VLAN ID to <none>.)
```

```
[T]: Set remote TFTP server IP address: The IP address of the TFTP server.
```

```
[F]: Set firmware image file name: The name of the firmware image file that you want to install.
```

15. To quit this menu, press Q.
16. To review the configuration, press R.
To make corrections, press C and make the changes as required. When the configuration is correct, proceed to the

next step.

17. To start the TFTP transfer, press T.

The firmware image is uploaded from the TFTP server and installed on the FIM. The FIM then restarts with its configuration reset to factory defaults. After restarting, the FIM configuration is synchronized to match the configuration of the primary FIM. The FIM restarts again and can start processing traffic.

18. Once the FIM restarts, verify that the correct firmware is installed.

You can do this from the FIM GUI dashboard or from the FPM CLI using the `get system status` command.

19. Enter the `diagnose sys confsync status | grep in_sy` command to verify that the configuration has been synchronized. The field `in_sync=1` indicates that the configurations of the FIMs and FPMs are synchronized.

FIMs and FPMs that are missing or that show `in_sync=0` are not synchronized. To synchronize an FIM or FPM that is not synchronized, log into the CLI of the FIM or FPM and restart it using the `execute reboot` command. If this does not solve the problem, contact Fortinet Support at <https://support.fortinet.com>.

If you enter the `diagnose sys confsync status | grep in_sy` command before the FIM has restarted, it will not appear in the command output. As well, the Cluster status dashboard widget will temporarily show that it is not synchronized.

Formatting an FPM boot device and installing new firmware

You can use the following steps to format an FPM boot device and install new firmware from a TFTP server. This procedure is based on the procedure [Installing FPM firmware from the BIOS after a reboot on page 129](#).

1. Set up a TFTP server and copy the firmware file into the TFTP server default folder.
2. Set up your network to allow traffic between the TFTP server and the MGMT1 or MGMT2 interface of one of the FIMs.
3. Log into the CLI of the FIM.
4. Enter the following command to upload the firmware file from the TFTP server to the FIM:
`execute upload image tftp <firmware-filename> comment <tftp-server-ip-address>`
5. Enter the following command to verify that the firmware file has been uploaded to the FIM:
`fnsysctl ls /data2/tftpboot/`
6. Confirm the internal address of FIM, which is also the address of the FIM's TFTP server:
`fnsysctl ifconfig base-tftp`
Example output:
`base-tftp Link encap:Ethernet HWaddr 06:76:A0:75:E8:F1
inet addr:169.254.254.1 Bcast:169.254.254.255 Mask:255.255.255.0`
The internal IP addresses of each FIM and FPM is 169.254.254.<slot-number>.
7. Using the console cable supplied with your FortiGate 7000F, connect the SMM Console 1 port on the FortiGate 7000F to the USB port on your management computer.
8. Start a terminal emulation program on the management computer. Use these settings:
Baud Rate (bps) 9600, Data bits 8, Parity None, Stop bits 1, and Flow Control None.
9. Press Ctrl-T to enter console switch mode.
10. Repeat pressing Ctrl-T until you have connected to the FPM to be updated. Example prompt:
<Switching to Console: FPM03 (9600)>
11. Optionally log into the FPM's CLI.
12. Reboot the FPM.

You can do this using the `execute reboot` command from the FPM's CLI or by pressing the power switch on the FPM front panel.

13. When the FPM starts up, follow the boot process in the terminal session and press any key when prompted to interrupt the boot process.
14. To format the FPM boot disk, press F.
15. Press Y to confirm that you want to erase all data on the boot disk and format it.
When the formatting is complete the FPM restarts.
16. Follow the boot process in the terminal session, and press any key when prompted to interrupt the boot process.
17. To set up the TFTP configuration, press C.
18. Use the BIOS menu to set the following. Change settings only if required.
 - [P]: Set image download port: FIM01 TFTP Server (the FIM that you uploaded the firmware file to).
 - [D]: Set DHCP mode: Disabled.
 - [I]: Set local IP address: The internal IP address of the FPM. For example, if you are installing firmware on the FPM in slot 5, the local IP address of the FPM in slot 5 is 169.254.254.5.
 - [S]: Set local Subnet Mask: 255.255.255.0.
 - [G]: Set local gateway: 169.254.254.1.
 - [V]: Local VLAN ID: Should be set to <none>. (use -1 to set the Local VLAN ID to <none>.)
 - [T]: Set remote TFTP server IP address: The internal IP address of the FIM that you uploaded to the firmware file to. For example: 169.254.254.1 for the FIM in slot 1.
 - [F]: Set firmware image file name: The name of the firmware file that you want to install.
19. To quit this menu, press Q.
20. To review the configuration, press R.
To make corrections, press C and make the changes as required. When the configuration is correct proceed to the next step.
21. To start the TFTP transfer, press T.
The firmware image is uploaded from the TFTP server of the FIM and installed on the FPM. The FPM then restarts with its configuration reset to factory defaults. After restarting, the FPM configuration is synchronized to match the configuration of the primary FPM. The FPM restarts again and can start processing traffic.
22. Once the FPM restarts, verify that the correct firmware is installed.
You can do this from the FPM GUI dashboard or from the FPM CLI using the `get system status` command.
23. Enter the `diagnose sys confsync status | grep in_sy` command to verify that the configuration has been synchronized. The field `in_sync=1` indicates that the configurations of the FIMs and FPMs are synchronized. FIMs and FPMs that are missing or that show `in_sync=0` are not synchronized. To synchronize an FIM or FPM that is not synchronized, log into the CLI of the FIM or FPM and restart it using the `execute reboot` command. If this does not solve the problem, contact Fortinet Support at <https://support.fortinet.com>.
If you enter the `diagnose sys confsync status | grep in_sy` command before the FPM has restarted, it will not appear in the command output. As well, the Cluster status dashboard widget will temporarily show that it is not synchronized.

Failover in a standalone FortiGate 7000F

A FortiGate 7000F will continue to operate even if an FIM or FPM fails or is removed. If an FPM fails, sessions being processed by that FPM fail and must be restarted. All sessions are load balanced to the remaining FPMs.

If an FIM fails, the other FIM will continue to operate and will become the config-sync primary. However, traffic received or sent by the interfaces of failed FIM will be lost.

You can use LACP or redundant interfaces to connect interfaces of both FIMs to the same network. In this way, if one of the FIMs fails, traffic will continue to be received by the other FIM.

Changing the FortiGate 7000F log disk and RAID configuration

Each FIM-7941F or FIM-7921F installed in a FortiGate 7000F contains two 4TByte SSD log disks in a RAID-1 configuration. In the RAID-1 configuration, you can use the disks for disk logging only.

You can log into the CLI of each FIM and use the `execute disk` command to view and change the configuration and RAID level of the disks. Changing the configuration or RAID level deletes all data from the disks and can disrupt disk logging. A best practice is set the disk configuration and RAID level when initially setting up the FortiGate 7000F.

From the CLI you can use the following command to show disk status:

```
execute disk list
```

Use the following command to disable RAID:

```
execute disk raid disable
```

RAID is disabled, the disks are separated and formatted.

Use the following command to change the RAID level to RAID-0:

```
execute disk raid rebuild-level 0
```

The disks are formatted for RAID-0.

Use the following command to rebuild the current RAID partition:

```
execute disk raid rebuild
```

The RAID is rebuilt at the current RAID level.

Use the `execute disk raid status` command to show RAID status.

The following command output shows the RAID status of the 4TByte SSDs configured for RAID-1.

```
execute disk raid status
RAID Level: Raid-1
RAID Status: OK
RAID Size: 4000GB
```

```
Disk 1: OK Used 3815GB
```

```
Disk 2: OK Used 3815GB
```

Resetting to factory defaults

At any time during the configuration process, if you run into problems, you can reset the FortiGate 7000F to factory defaults and start over. From the primary FIM CLI enter:

```
config global
  execute factoryreset
```

Restarting the FortiGate 7000F

To restart all of the modules in a FortiGate 7000F, connect to the primary FIM CLI and enter the `execute reboot` command. When you enter this command from the primary FIM, all of the modules restart.

To restart individual FIMs or FPMs, log in to the CLI of the module to restart and run the `execute reboot` command.

Packet sniffing for FIM and FPM packets

From a VDOM, you can use the `diagnose sniffer packet` command to view or sniff packets as they are processed by FIM or FPMs for that VDOM. To use this command you have to be logged into a VDOM. You can run this command from any FIM or FPM CLI.

The command output includes the address of the slot containing the module that processed the packet. From the primary FIM, you can see packets processed by all of the FIMs and FPMs. From individual FIMs or FPMs you can see packets processed by that FIM or FPM.

From the primary FIM, you can enter the `diagnose sniffer options slot current` command to only see packets processed by the primary FIM. You can also enter the `diagnose sniffer options slot default` command to see packets processed by all modules.

The command syntax is:

```
diagnose sniffer packet <interface> <protocol-filter> <verbose> <count> <timestamp> <slot>
```

Where:

`<interface>` is the name of one or more interfaces on which to sniff for packets. Use `any` to sniff packets for all interfaces. To view management traffic use the `elbc-base-ctrl` interface name.

`<protocol-filter>` a filter to select the protocol for which to view traffic. This can be simple, such as entering `udp` to view UDP traffic or complex to specify a protocol, port, and source and destination interface and so on.

`<verbose>` the amount of detail in the output, and can be:

1. display packet headers only.
2. display packet headers and IP data.
3. display packet headers and Ethernet data (if available).
4. display packet headers and interface names.
5. display packet headers, IP data, and interface names.
6. display packet headers, Ethernet data (if available), and interface names.

`<count>` the number of packets to view. You can enter Ctrl-C to stop the sniffer before the count is reached.

`<timestamp>` the timestamp format, `a` for UTC time and `l` for local time.

Sample diagnose sniffer packet output from the primary FIM

```
[FPM04] 1.598890 3ffe:1:1:4::97b.13344 -> 3ffe:1:2:4::105.25: syn 151843506
[FPM03] 1.214394 802.1Q vlan#4022 P0 3ffe:1:1:2::214.10012 -> 3ffe:1:2:2::103.53: udp 30
[FIM02] 2.177930 llc unnumbered, 23, flags [poll], length 40
[FIM01] 1.583778 172.30.248.99.57167 -> 10.160.19.70.443: ack 2403720303
[FPM04] 1.598891 17.3.8.3.14471 -> 18.3.1.107.143: syn 2715027438 ^C
```

```
[FPM03] 1.214395 3ffe:1:1:2::214.10012 -> 3ffe:1:2:2::103.53: udp 30
[FIM01] 1.583779 172.30.248.99.57167 -> 10.160.19.70.443: ack 2403720303
```

Packet sniffing integrated switch fabric (ISF) interfaces

You can use the following command to sniff traffic on FortiGate 7000F ISF interfaces.

```
diagnose span-sniffer packet <interface> <filter> <verbose> <count> <timestamp> <frame-size>
```

You run this command by logging into the CLI and editing any VDOM of the FIM or FPM that includes the ISF on which to sniff traffic. For example, to sniff traffic on the ISF of the FIM in slot 2, connect to the CLI of the FIM in slot 2 and edit any VDOM. To sniff traffic on the ISF of the FPM in slot 5, connect to the CLI of the FPM in slot 5 and edit any VDOM. You can't log into an FIM or FPM and sniff traffic on an ISF in a different FIM or FPM.

Where:

<interface> the name of one ISF interface on the FIM or FPM that you are logged into on which to sniff for packets. ISF interface names can be:

- **dp** the ISF interface connected to the the load balancing NP7 processors in the FIM or FPM that you have logged into. The FPMs ISF **dp** interface connects to the NP7 load balancers in the FIMs.
- **sw:<data-interface-name>**, where **<data-interface-name>** is the name of the front panel data interface that the ISF interface is connected to. For example:
 - **sw:1-P12** is the ISF interface that is connected to the P12 front panel data interface of the FIM in slot 1.
 - **sw:6-P5** is the ISF interface that is connected to the P5 front panel data interface of the FPM in slot 6.
 - **<data-interface-name>** can also be the name of a split interface, for example **sw:2-P20/1** is the name of the ISF interface connected to the 2-P20/1 interface of the FIM in slot 2.

<filter> a filter to select the types of packets for which to view traffic. This can be simple, such as entering **udp** to view UDP traffic or complex to specify a protocol, port, and source and destination interface and so on.

<verbose> the amount of detail in the output, and can be:

1. display packet headers only.
2. display packet headers and IP data.
3. display packet headers and Ethernet data (if available).
4. display packet headers and interface names.
5. display packet headers, IP data, and interface names.
6. display packet headers, Ethernet data (if available), and interface names.

<count> the number of packets to view. You can enter Ctrl-C to stop the sniffer before the count is reached. If you don't include a count packets are displayed continuously until you press Ctrl-C.

<timestamp> the timestamp format, **a** for UTC time, **l** for local time, and otherwise to display the time relative to entering the command in the format **ss.ms**.

<frame-size> the frame size that is printed before truncation. Defaults to the interface MTU.

Diagnose debug flow trace for FPM and FIM activity

The `diagnose debug flow trace` output from the FortiGate 7000F primary FIM CLI shows traffic from all FIMs and FPMs. Each line of output begins with the name of the component that produced the output. For example:

```
diagnose debug enable
[FPM04] id=20085 trace_id=6 func=print_pkt_detail line=5777 msg="vd-root:0 received a packet(proto=6,
10.0.2.3:10001->20.0.0.100:80) from HA-LAG0. flag [S], seq 2670272303, ack 0, win 32768"
[FPM03] id=20085 trace_id=7 func=print_pkt_detail line=5777 msg="vd-root:0 received a packet(proto=6,
10.0.2.3:10002->20.0.0.100:80) from HA-LAG0. flag [S], seq 3193740413, ack 0, win 32768"
[FPM04] id=20085 trace_id=6 func=init_ip_session_common line=5937 msg="allocate a new session-
0000074c"
[FPM04] id=20085 trace_id=6 func=vf_ip_route_input_common line=2591 msg="find a route: flag=04000000
gw-20.0.0.100 via HA-LAG1"
[FPM04] id=20085 trace_id=6 func=fw_forward_handler line=755 msg="Allowed by Policy-10000:"
```

Running FortiGate 7000F `diagnose debug flow trace` commands from an individual FPM CLI shows traffic processed by that FPM only.

```
diagnose debug enable
[FPM03] id=20085 trace_id=7 func=print_pkt_detail line=5777 msg="vd-root:0 received a packet(proto=6,
10.0.2.3:10002->20.0.0.100:80) from HA-LAG0. flag [S], seq 3193740413, ack 0, win 32768"
[FPM03] id=20085 trace_id=7 func=init_ip_session_common line=5937 msg="allocate a new session-
000007b2"
[FPM03] id=20085 trace_id=7 func=vf_ip_route_input_common line=2591 msg="find a route: flag=04000000
gw-20.0.0.100 via HA-LAG1"
[FPM03] id=20085 trace_id=7 func=fw_forward_handler line=755 msg="Allowed by Policy-10000:"
```

FortiGate 7000F config CLI commands

This chapter describes the following FortiGate 7000F load balancing configuration commands:

- [config load-balance flow-rule](#)
- [config load-balance setting](#)

config load-balance flow-rule

Use this command to create flow rules that add exceptions to how matched traffic is processed. You can use flow rules to match a type of traffic and control whether the traffic is forwarded or blocked. And if the traffic is forwarded, you can specify whether to forward the traffic to a specific slot or slots. Unlike firewall policies, load-balance rules are not stateful so for bi-directional traffic, you may need to define two flow rules to match both traffic directions (forward and reverse).

```
config load-balance flow-rule
edit <id>
    set status {disable | enable}
    set src-interface <interface-name> [<interface-name>...]
    set vlan <vlan-id>
    set ether-type {any | arp | ip | ipv4 | ipv6}
    set src-addr-ipv4 <ip4-address> <netmask>
    set dst-addr-ipv4 <ip4-address> <netmask>
    set src-addr-ipv6 <ip6-address> <netmask>
    set dst-addr-ipv6 <ip6-address> <netmask>
    set protocol {<protocol-number> | any | icmp | icmpv6 | tcp | udp | igmp | sctp | gre
        | esp | ah | ospf | pim | vrrp}
    set src-l4port <start>[--<end>]
    set dst-l4port <start>[--<end>]
    set icmp-type <type>
    set icmp-code <type>
    set tcp-flag {any | syn | fin | rst}
    set action {forward | mirror-ingress | stats | drop}
    set mirror-interface <interface-name>
    set forward-slot {master | all | load-balance | <FPM#>}
    set priority <number>
    set comment <text>
end
```

status {disable | enable}

Enable or disable this flow rule. New flow rules are disabled by default.

src-interface <interface-name> [<interface-name>...]

Optionally add the names of one or more front panel interfaces accepting the traffic to be subject to the flow rule. If you don't specify a `src-interface`, the flow rule matches traffic received by any interface.

If you are matching VLAN traffic, select the interface that the VLAN has been added to and use the `vlan` option to specify the VLAN ID of the VLAN interface.

vlan <vlan-id>

If the traffic matching the rule is VLAN traffic, enter the VLAN ID used by the traffic. You must set `src-interface` to the interface that the VLAN interface is added to.

ether-type {any | arp | ip | ipv4 | ipv6}

The type of traffic to be matched by the rule. You can match any traffic (the default) or just match ARP, IP, IPv4 or IPv6 traffic.

{src-addr-ipv4 | dst-addr-ipv4} <ipv4-address> <netmask>

The IPv4 source and destination address of the IPv4 traffic to be matched. The default of `0.0.0.0 0.0.0.0` matches all IPv4 traffic. Available if `ether-type` is set to `ipv4`.

{src-addr-ipv6 | dst-addr-ipv6} <ip-address> <netmask>

The IPv6 source and destination address of the IPv6 traffic to be matched. The default of `::/0` matches all IPv6 traffic. Available if `ether-type` is set to `ipv6`.

protocol {<protocol-number> | any | icmp | icmpv6 | tcp | udp | igmp | sctp | gre | esp | ah | ospf | pim | vrrp}

If `ether-type` is set to `ip`, `ipv4`, or `ipv6`, specify the protocol of the IP, IPv4, or IPv6 traffic to match the rule. The default is `any`. You can specify any protocol number or you can use the following keywords to select common protocols.

Option	Protocol number
icmp	1
icmpv6	58
tcp	6
udp	17
igmp	2
sctp	132
gre	47
esp	50
ah	51
ospf	89

Option	Protocol number
pim	103
vrrp	112

{src-l4port | dst-l4port} <start>[-<end>]

Specify a layer 4 source port range and destination port range. This option appears when `protocol` is set to `tcp` or `udp`. The default range is 0-0, which matches all ports. You don't have to enter a range to match just one port. For example, to set the source port to 80, enter `set src-l4port 80`.

set icmp-type <type>

Specify an ICMP type number in the range of 0 to 255. The default is 255. This option appears if `protocol` is set to `icmp`. For information about ICMP type numbers, see [Internet Control Message Protocol \(ICMP\) Parameters](#).

icmp-code <type>

If the ICMP type also includes an ICMP code, you can use this option to add that ICMP code. The ranges is 0 to 255. The default is 255. This option appears if `protocol` is set to `icmp`. For information about ICMP code numbers, see [Internet Control Message Protocol \(ICMP\) Parameters](#).

tcp-flag {any | syn | fin | rst}

Set the TCP session flag to match. The `any` setting (the default) matches all TCP sessions. You can add specific flags to only match specific TCP session types.

action {forward | mirror-ingress | stats | drop}

The action to take with matching sessions. They can be dropped, forwarded to another destination, or you can record statistics about the traffic for later analysis. You can combine two or three settings in one command for example, you can set `action` to both `forward` and `stats` to forward traffic and collect statistics about it. Use `append` to append additional options.

The default action is `forward`, which forwards packets to the specified `forward-slot`.

The `mirror-ingress` option copies (mirrors) all ingress packets that match this flow rule and sends them to the interface specified with the `mirror-interface` option.

mirror-interface <interface-name>

The name of the interface to send packets matched by this flow-rule to when `action` is set to `mirror-ingress`.

forward-slot {master | all | load-balance | <FPM#>}

The slot that you want to forward the traffic that matches this rule to.

Where:

`master` forwards traffic to the primary FPM.

`all` means forward the traffic to all FPMs.

`load-balance` means forward this traffic to the DP processors that then use the default load balancing configuration to handle this traffic.

`<FPM#>` forward the matching traffic to a specific FPM. For example, FPM3 is the FPM in slot 3.

priority <number>

Set the priority of the flow rule in the range 1 (lowest priority) to 10 (highest priority). Higher priority rules are matched first. You can use the priority to control which rule is matched first if you have overlapping rules.

The default priority is 5.

comment <text>

Optionally add a comment that describes the flow rule.

config load-balance setting

Use this command to set a wide range of load balancing settings.

```
config load-balance setting
  set slbc-mgmt-intf <management-interface>
  set max-miss-heartbeats <heartbeats>
  set max-miss-mgmt-heartbeats <heartbeats>
  set weighted-load-balance {disable | enable}
  set gtp-load-balance {disable | enable}
  set pfc-p-load-balance {disable | enable}
  set sslvpn-load-balance {disable | enable}
  set dp-load-distribution-method {to-master | src-ip | dst-ip | src-dst-ip | src-ip-sport
    | dst-ip-dport | src-dst-ip-sport-dport}
  set sw-load-distribution-method {src-dst-ip | src-dst-ip-sport-dport}
  set dp-icmp-distribution-method {to-master | src-ip | dst-ip | src-dst-ip | derived}
  set nat-source-port {chassis-slots | enabled-slots}
  config workers
    edit <slot>
      set status {disable | enable}
      set weight <weight>
    end
```

slbc-mgmt-intf mgmt

To be able to use special SLBC management interface features, such as being able to log into any FIM or FPM using the management IP address and a special port number, you need to use this option to select a FortiGate 7000F management interface to be the SLBC management interface.

You can use any of the FIM or FPM management interfaces to be the SLBC management interface. The following example uses the MGMT 1 interface of the FIM in slot 1. In the GUI and CLI the name of this interface is 1-mgmt1.

Enter the following command to set the 1-mgmt1 interface to be the SLBC management interface:

```
config global
  config load-balance setting
    set slbc-mgmt-intf 1-mgmt1
  end
```

To manage individual FIMs or FPMs, the SLBC interface must be connected to a network



The `slbc-mgmt-intf` option is blank by default and must be set to be able to manage individual FIMs and FPMs using the SLBC management interface IP address and special port numbers. If you decide to use a different management interface, you must also change the `slbc-mgmt-intf` to that interface.

To enable using the special management port numbers to connect to individual FIMs and FPMs, the mgmt interface must be connected to a network, have a valid IP address, and have management or administrative access enabled. To block access to the special management port numbers, disconnect the mgmt interface from a network, configure the mgmt interface with an invalid IP address, or disable management or administrative access for the mgmt interface.

max-miss-heartbeats <heartbeats>

Set the number of missed heartbeats before an FPM is considered to have failed. If a failure occurs, the NP7 processors will no longer load balance sessions to the FPM.

The time between heartbeats is 0.2 seconds. Range is 3 to 300. A value of 3 means 0.6 seconds, 20 (the default) means 4 seconds, and 300 means 60 seconds.

max-miss-mgmt-heartbeats <heartbeats>

Set the number of missed management heartbeats before a FPM is considering to have failed. If a failure occurs, the NP7 processor will no longer load balance sessions to the FPM.

The time between management heartbeats is 1 second. Range is 3 to 300 heartbeats. The default is 10 heartbeats.

weighted-load-balance {disable | enable}

Enable weighted load balancing depending on the slot (or worker) weight. Use `config workers` to set the weight for each FPM slot.

gtp-load-balance {disable | enable}

Enable or disable GTP-U load balancing. For more information, see [Enabling GTP load balancing on page 54](#).

pfcp-load-balance {disable | enable}

Enable or disable PFCP user plane load balancing. For more information, see [PFCP load balancing on page 57](#).

sslvpn-load-balance {disable | enable}

Enable or disable SSL VPN load balancing. For more information, see [SSL VPN load balancing on page 65](#).

dp-load-distribution-method {to-master | src-ip | dst-ip | src-dst-ip | src-ip-sport | dst-ip-dport | src-dst-ip-sport-dport}

Set the method used by the NP7 processors to load balance sessions among FPMs. Usually you would only need to change the load balancing method if you had specific requirements or you found that the default method wasn't distributing sessions in the manner that you would prefer. The default is `src-dst-ip` which means sessions are identified by their source destination IP addresses.

`to-master` directs all session to the primary FPM. This method is for troubleshooting only and should not be used for normal operation. Directing all sessions to the primary FPM will have a negative impact on performance.

`src-ip` sessions are distributed across all FPMs according to their source IP address.

`dst-ip` sessions are distributed across all FPMs according to their destination IP address.

`src-dst-ip` sessions are distributed across all FPMs according to their source and destination IP addresses. This is the default load balance algorithm. This method is normally the optimal load balancing method for most traffic types.

`src-ip-sport` sessions are distributed across all FPMs according to their source IP address and source port.

`dst-ip-dport` sessions are distributed across all FPMs according to their destination IP address and destination port.

`src-dst-ip-sport-dport` distribute sessions across all FPMs according to their source and destination IP address, source port, and destination port.



The `src-ip` and `dst-ip` load balancing methods use layer 3 information (IP addresses) to identify and load balance sessions. All of the other load balancing methods (except for `to-master`) use both layer 3 and layer 4 information (IP addresses and port numbers) to identify a TCP and UDP session. The layer 3 and layer 4 load balancing methods only use layer 3 information for other types of traffic (SCTP, ICMP, and ESP). If GTP load balancing is enabled, Tunnel Endpoint Identifiers (TEIDs) are used to identify GTP sessions.

sw-load-distribution-method {src-dst-ip | src-dst-ip-sport-dport}

Configure the load distribution method used by the Internal Switch Fabric (ISF). The default setting is `src-dst-ip`.

dp-icmp-distribution-method {to-master | src-ip | dst-ip | src-dst-ip | derived}

Set the method used by the NP7 processor to load balance ICMP sessions among FPMs. See [ICMP load balancing on page 58](#).

set nat-source-port {chassis-slots | enabled-slots}

Change SNAT port partitioning behavior. For more information, see [Controlling SNAT port partitioning behavior on page 62](#).

config workers

Set the weight and enable or disable each worker (FPM). Use the edit command to specify the slot the FPM is installed in. You can enable or disable each FPM and set a weight for each FPM.

The weight range is 1 to 10. 5 is average (and the default), 1 is -80% of average and 10 is +100% of average. The weights take effect if `weighted-loadbalance` is enabled.

For more information, see [Optimizing NAT IP pool allocation on FortiGate 7000F systems with empty FPM slots on page 58](#).

```
config workers
  edit <slot>
    set status enable
    set weight 5
  end
```

FortiGate 7000F execute CLI commands

This chapter describes the FortiGate 7000F execute commands. Many of these commands are only available from the FIM CLI.

execute factoryreset-shutdown

You can use this command to reset the configuration of the FortiGate 7000F FIMs and FPMs before shutting the system down. This command is normally used in preparation for resetting and shutting down a FortiGate 7000F.

execute ha manage <id>

In an HA configuration, use this command to log in to the primary FIM of the secondary FortiGate 7000F.

<id> is the ID of the secondary FortiGate 7000F. Usually the primary FortiGate 7000F ID is 0 and the secondary ID is 1. You can enter the ? to see the list of IDs that you can connect to.

After you have logged in, you can manage the secondary FortiGate 7000F from the primary FIM or you can use the `execute-load-balance slot manage` command to connect to the other FIM and the FPMs in the secondary FortiGate 7000F.

execute load-balance console-mgmt {disable | enable}

Enable or disable the console disconnect command on the SMM CLI. If the console disconnect command is enabled, you can log into one of the SMM consoles and use the console disconnect command to disconnect the other SMM console.

The FortiGate 7000F SMM has two consoles that you can use to connect to the SMM CLI or to the CLIs of any of the FIMs or FPMs in the FortiGate 7000F system. However, the system only supports one console connection to a module at a time. So if the other SMM console is connected to an FIM or FPM that you want to connect to, you have to disconnect the other SMM console to be able to connect to the FIM or FPM.

To disconnect the other SMM console, you can log into the SMM CLI and use the console disconnect command to disconnect the other console.

You can use this command to enable or disable this functionality.

execute load-balance console-mgmt disconnect <console>

Disconnect one of the SMM consoles from the FIM or FPM that it is connected to. <console> is the number of the console to disconnect.

This command allows you to disconnect a SMM console session from the FIM CLI without having to log into the SMM CLI.

execute load-balance console-mgmt info

This command shows whether the SMM console disconnect command is enabled or disabled and also shows which modules the SMM consoles are connected to or if they are disconnected.

execute load-balance license-mgmt list

List the licenses that have been added to this FortiGate 7000F, including a license for extra VDOMs and FortiClient licenses.

execute load-balance license-mgmt reset {all | crypto-key | forticlient | vdom}

Reset FortiClient and VDOM licenses added to this FortiGate 7000F to factory defaults.

Specify `crypto-key` to re-generate crypto keys that are generated when the FortiGate 7000F first starts up.

Use `all` to reset all licenses and crypto keys.

Resetting licenses and crypto keys doesn't restart the FortiGate 7000F.

execute load-balance slot manage <slot>

Log into the CLI of an individual FIM or FPM. Use `<slot>` to specify the FIM or FPM slot number.

You will be asked to authenticate to connect to the FIM or FPM. Use the `exit` command to end the session and return to the CLI from which you ran the original command.

execute load-balance slot power-off <slot-map>

Power off selected FPMs. This command shuts down the FPM immediately. You can use the `diagnose sys confsync status` command to verify that the FIMs cannot communicate with the FPMs.

You can use the `execute load-balance slot power-on` command to start up powered off FPMs.

execute load-balance slot power-on <slot-map>

Power on and start up selected FPMs. It may take a few minutes for the FPMs to start up. You can use the `diagnose sys confsync status` command to verify that the FPMs have started up.

execute load-balance slot reboot <slot-map>

Restart selected FPMs. It may take a few minutes for the FPMs to shut down and restart. You can use the `diagnose sys confsync status` command to verify that the FPMs have started up.

execute load-balance slot set-primary-worker <slot>

Force an FPM to always be the primary FPM, `<slot>` is the FPM slot number.

The change takes place right away and all new primary FPM sessions are sent to the new primary FPM. Sessions that had been processed by the former primary FPM do not switch over, but continue to be processed by the former primary FPM.

This command is most often used for troubleshooting or testing. Since the command does not change the configuration, if the FortiGate 7000F restarts, the usual primary FPM selection process occurs.

Default flow rules for traffic that cannot be load balanced

The default `configure load-balance flow-rule` command contains the recommended default flow rules that control how the FortiGate 7000F handles traffic types that cannot be load balanced. All default flow rules identify the traffic type using the options available in the command and direct matching traffic to the primary FPM (`action` set to `forward` and `forward-slot` set to `master`). The default flow rules also include a comment that identifies the traffic type. Most of the flow rules in the default configuration are enabled and are intended to send common traffic types that cannot be load balanced to the primary FPM.

The default configuration also includes disabled flow rules for Kerberos and PPTP traffic. Normally, you will only need to enable these flow rules if you know that your FortiGate will be handling these types of traffic.



You can find text files containing the FortiGate 7000F default flow rules in the same folders as firmware images on the [Fortinet Support Download Firmware Images page](#).



www.fortinet.com

Copyright© 2026 Fortinet, Inc. All rights reserved. Fortinet®, FortiGate®, FortiCare® and FortiGuard®, and certain other marks are registered trademarks of Fortinet, Inc., and other Fortinet names herein may also be registered and/or common law trademarks of Fortinet. All other product or company names may be trademarks of their respective owners. Performance and other metrics contained herein were attained in internal lab tests under ideal conditions, and actual performance and other results may vary. Network variables, different network environments and other conditions may affect performance results. Nothing herein represents any binding commitment by Fortinet, and Fortinet disclaims all warranties, whether express or implied, except to the extent Fortinet enters a binding written contract, signed by Fortinet's General Counsel, with a purchaser that expressly warrants that the identified product will perform according to certain expressly-identified performance metrics and, in such event, only the specific performance metrics expressly identified in such binding written contract shall be binding on Fortinet. For absolute clarity, any such warranty will be limited to performance in the same ideal conditions as in Fortinet's internal lab tests. Fortinet disclaims in full any covenants, representations, and guarantees pursuant hereto, whether express or implied. Fortinet reserves the right to change, modify, transfer, or otherwise revise this publication without notice, and the most current version of the publication shall be applicable.