

QuickStart Guide

FortiSwitch Rugged 112F-POE

FSR-112F-POE

The Essentials

Secure your Network

Register at <https://support.fortinet.com> for the latest threat protection updates

GUI

- 1 Connect MGMT to an Ethernet port or USB-RJ45 Ethernet adapter on your computer using an Ethernet cable
- 2 Open a browser to <https://192.168.1.99>

CLI

- 1 Connect the provided console cable to the Console Port
- 2 Open a Terminal app using 115200-8-N-1

Default Logins



<https://192.168.1.99>
 Username: **admin**
 Password: **leave blank**



<https://fortiedge.forticloud.com>
 Username: **user-defined**
 Password: **user-defined**

Fortinet Documents Library

For getting started documentation admin guides, up-to-date hardware manuals and reference resources, visit <https://docs.fortinet.com/>

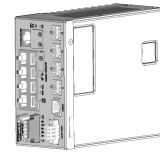
FortiEdge Cloud

Experience simplified cloud provisioning, zero touch deployment, configuration management and reporting at <https://fortiedge.forticloud.com>

Package Contents

FortiSwitch Rugged 112F-POE

FSR-112F-POE



1x FortiSwitch Rugged Device



1x QuickStart Guide



1x CAT5e Ethernet Cable



1x Console Cable



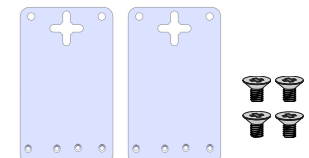
1x Digital I/O Connector
(5 pin)



1x DC Power Connector
(4 pin)



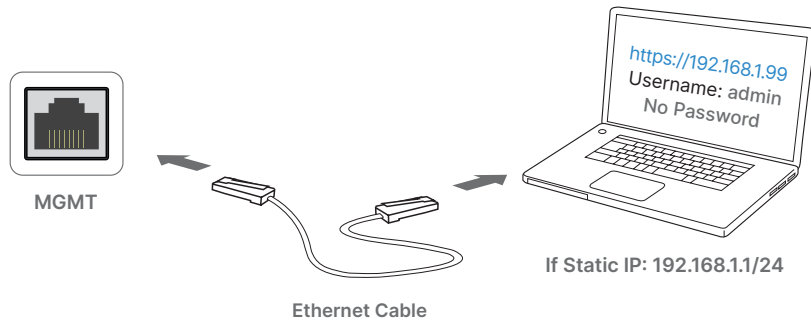
1x DIN Rail Bracket,
 4x M3x8mm Screws
 (pre-installed)



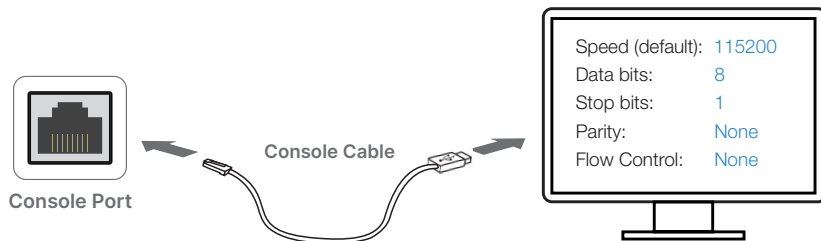
2x Wall Mount Brackets,
 4x M3x8mm Screws

Setup

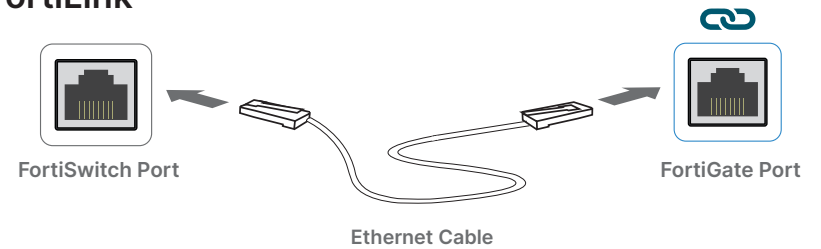
GUI



CLI



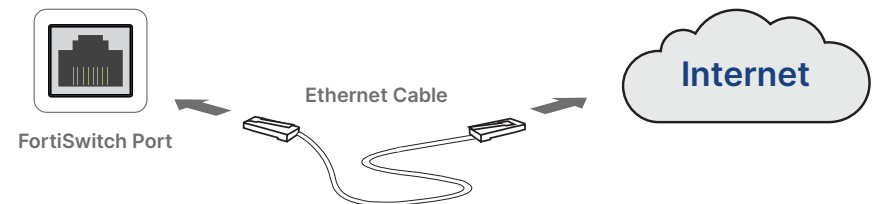
FortiLink



- 1 Login to the FortiGate and go to **WiFi and Switch Controller** -> **FortiLink Interface**
- 2 Add a **FortiGate Port** in the FortiLink interface
- 3 When the device is discovered, select **Authorize**

Optional: To automatically authorize the device upon discovery, enable **Automatically authorize devices** in the FortiLink Interface settings

FortiEdge Cloud



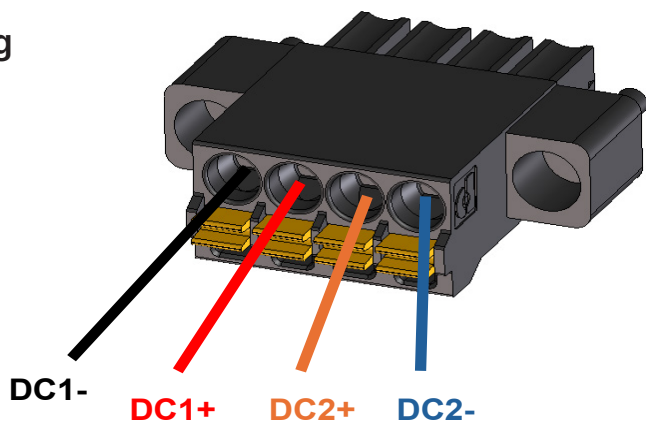
- 1 Visit <https://support.fortinet.com> for registration and cloud management license
- 2 Sign in at <https://fortiedge.forticloud.com> to manage your Inventory List

Power Installation

Warnings

- 12-57Vdc, 2.05A max (x2) for Non-PoE output
- 50-57Vdc, 5.3A max (x2) for PoE output
- 52-57Vdc, 5.09A max (x2) for PoE++ output
- With the optional failover redundancy, if the primary DC input fails, the secondary DC input will supply power
- DC1+ and DC2+ are the higher voltage potential pins and DC1- and DC2- are the lower voltage potential pins
- Do not connect the DC+ terminal to a lower voltage potential than the DC- terminal
- The voltage between DC+ and DC- must be +12-57VDC
- The DC wire gauge maximum is 16 AWG; the minimum is 18 AWG
- Operating temperature: -40°C to 75°C
 - 40°C to 65°C (Sealed enclosure – 0m/s Air Flow)
 - 40°C to 70°C (Vented enclosure – 0.2m/s Air Flow)
 - 40°C to 75°C (Fan or blower equipped enclosure – 1m/s Air Flow)
- PoE power output rating: 57VDC max, 1.8A max, 90W max per port
- Total PoE power budget: 240W
- The FSR-112F-POE does not support interconnectivity to other FSR-112F-POEs or other PSE appliances using the PoE ports. Fortinet recommends using the SFP ports to interconnect switches.
- Disable PoE on a FSR-112F-POE PoE port before connecting the cable of a non-PD device to the FSR-112F-POE PoE port. The device must not use same DC- negative as the FSR-112F-POE.
- Any device connected to a FSR-112F-POE PoE port requires proper safety isolation and voltage withstand as the FSR-112F-POE may provide power even if the connected device is not a PoE-powered device.

Wiring

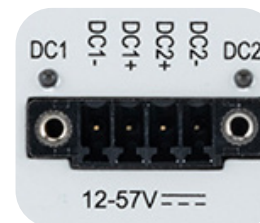


Grounding

Connect earth ground using a lug plate or grounding screw.

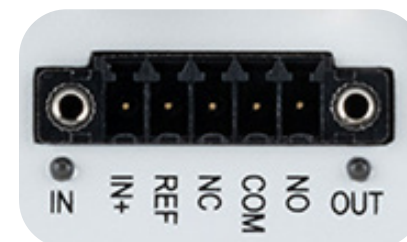
Power Connector

Connect DC1+ or DC2+ on the device terminal block to the DC power source, then connect the negative DC1- or DC2- on the terminal block. Terminal block does not support hot-plugging.



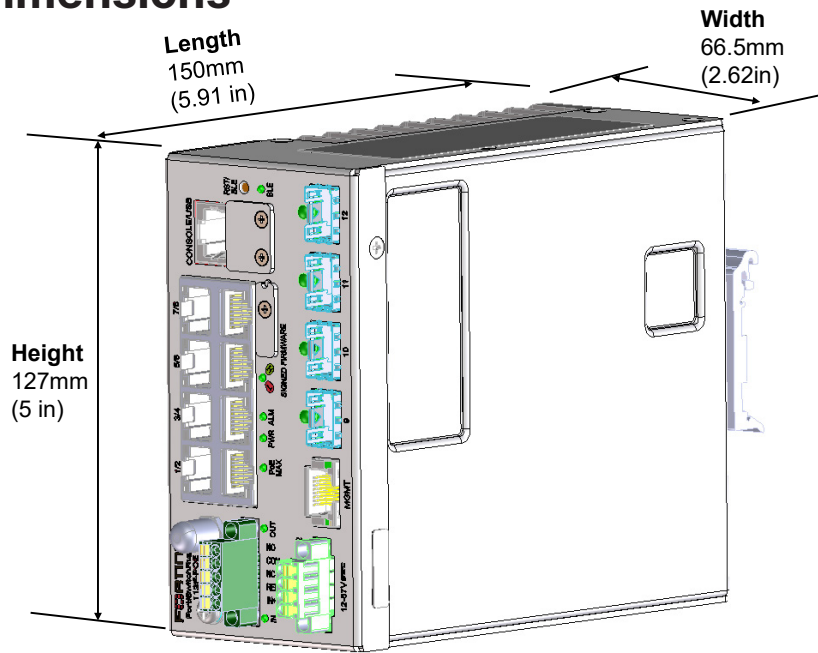
DC Input Power	DC+ Terminal	DC- Terminal
Negative Ground	+12-57VDC (non-PoE) Max +50-57VDC (PoE) Max +52-57VDC (PoE++) Max	Ground
Positive Ground	Ground	-12-57VDC (non-PoE) Max -50-57VDC (PoE) Max -52-57VDC (PoE++) Max

Digital I/O Connector

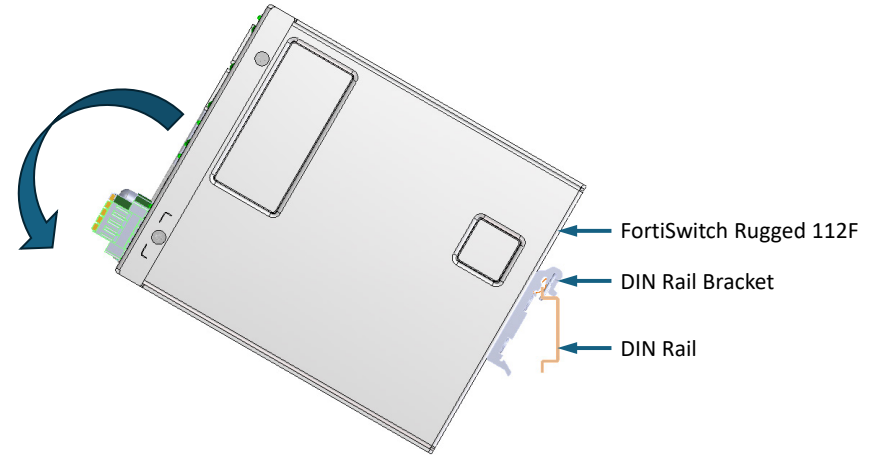


Connector	Description
IN+	Alarm Input
REF	Alarm Input Reference Ground
NC	Normally Closed Terminal
COM	Common Terminal
NO	Normally Open Terminal

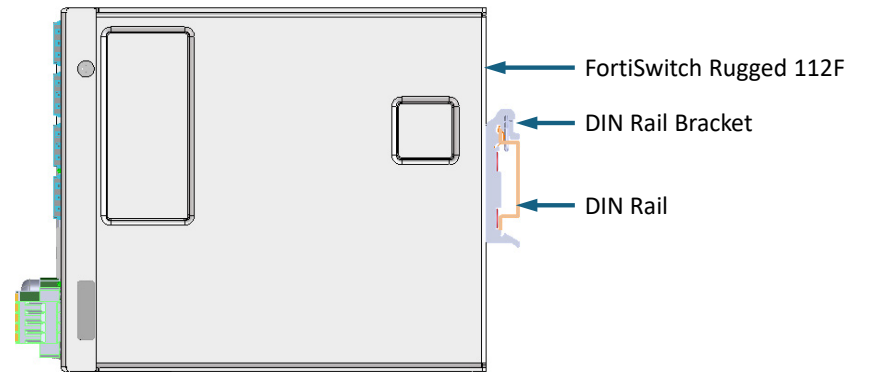
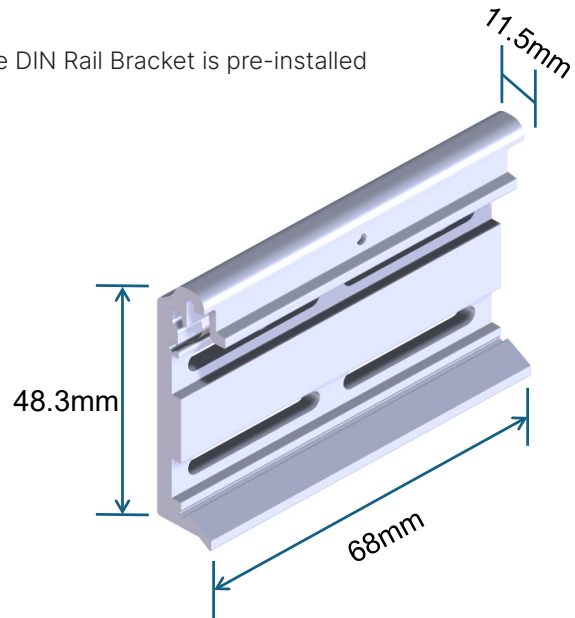
Dimensions



DIN Rail Mount

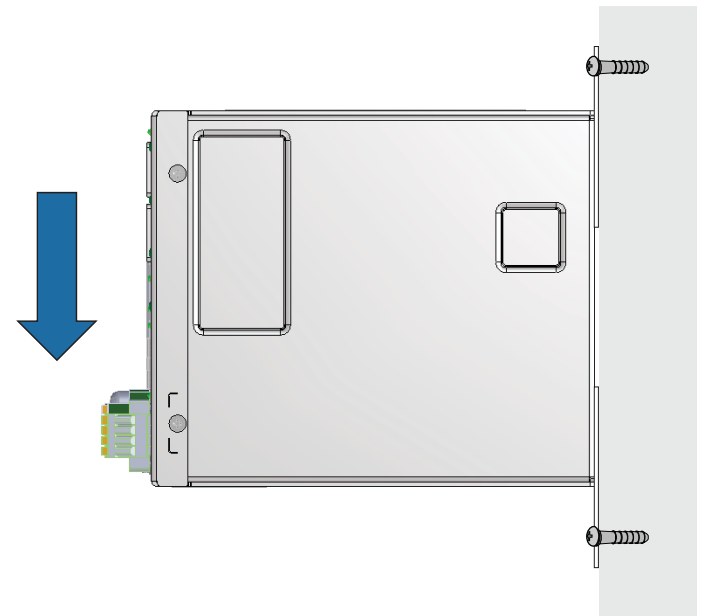
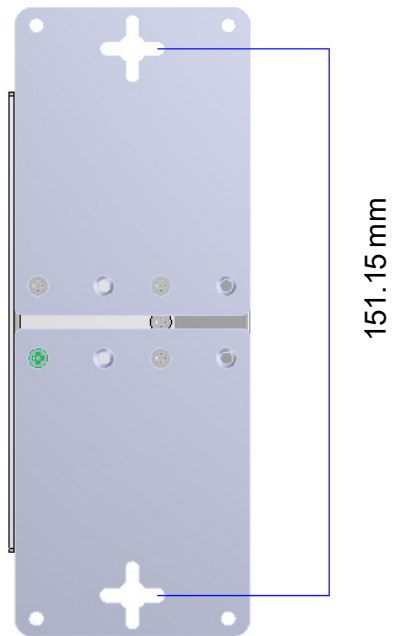
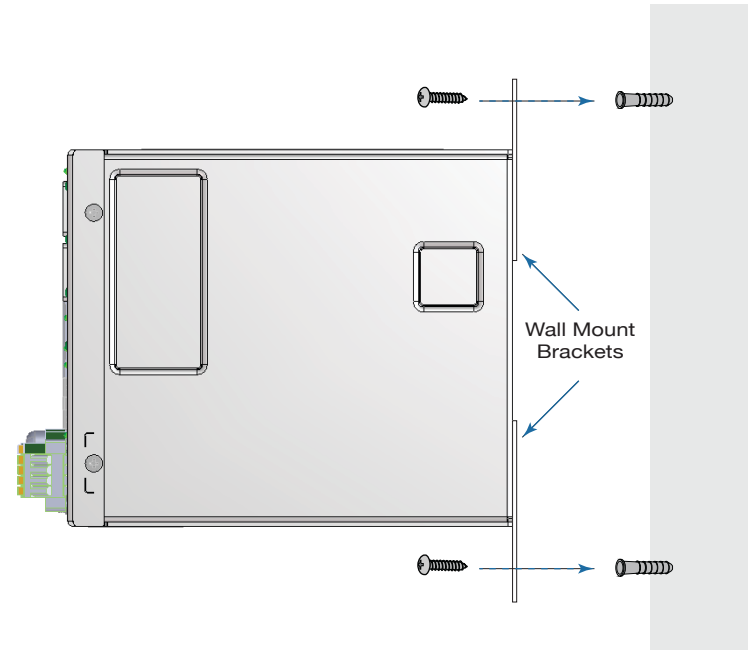
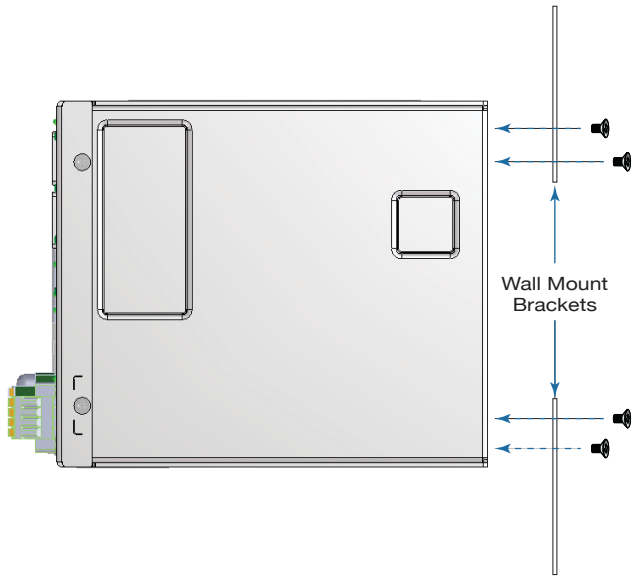


NOTE: The DIN Rail Bracket is pre-installed

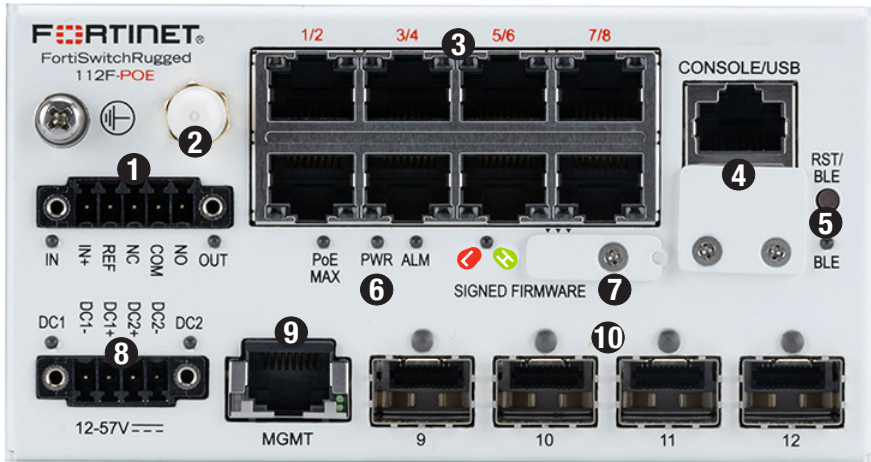


Wall Mount

NOTE: Anchors and screws not provided. Recommended screw size is M3.5×16



Front FSR-112F-POE



1 Digital I/O Connector

Alarm Input (IN)

- **Green:** Alarm defined
- **Red:** Alarm detected
- **Off:** Alarm not defined

Alarm Output (OUT)

- **Green:** Alarm defined
- **Flashing Red:** Major alarm detected
- **Red:** Minor alarm detected
- **Off:** Alarm not defined

2 BLE Antenna (disabled)

3 Ports 1 to 8 (RJ45)

PoE (Left LED)

- **Amber:** Supplying PoE
- **Off:** Not supplying PoE

LINK/ACT (Right LED)

- **Green:** Connected
- **Flashing Green:** Data activity
- **Off:** Not connected

4 CONSOLE Port (RJ45) CLI management

USB 2.0 Port (USB-A) covered, for future use

5 RST/BLE Press and hold (>10secs) for factory reset; BLE disabled

6 PoE MAX (up to 240W)

- **Amber:** Max PoE power reached
- **Off:** PoE+ available

PWR

- **Green:** Power detected
- **Off:** Power not detected

ALM

- **Amber:** Alarm detected
- **Off:** Alarm not detected

7 Signed Firmware BIOS Security Level

Controlled by Signed Firmware Switch, see Admin Guide at <https://docs.fortinet.com>

- **High: LED Green.** Unsigned firmware boot blocked (default)
- **Low: LED Red.** Unsigned firmware boot allowed with a warning

8 Power Connectors (DC1, DC2) Alarm disabled by default

- **Green:** Power detected
- **Red:** Alarm is on; no power detected
- **Off:** No power detected

9 MGMT (RJ45)

LINK/ACT (Right LED) Note: Left LED not in use

- **Green:** Connected
- **Flashing Green:** Data activity
- **Off:** Not connected

10 Ports 9 to 12 (SFP)

- **Green:** 1 Gbps
- **Flashing Green:** Data activity
- **Off:** Not connected

Cautions and Warnings

Environmental specifications

Ambient operating temperature: -40°C to 75°C

Refer to specific Product Model Data Sheet for Environmental Specifications (Operating Temperature, Storage Temperature, Humidity, and Altitude)

Référez à la Fiche Technique de ce produit pour les caractéristiques environnementales (Température de fonctionnement, température de stockage, humidité et l'altitude).

Safety

Warning: Equipment intended for installation in Restricted Access Location.

Avertissement: Le matériel est conçu pour être installé dans un endroit où l'accès est restreint.

A skilled person must install the equipment.

L'équipement doit être installé par une personne qualifiée.

Grounding — To prevent damage to your equipment, connections that enter from outside the building should pass through a lightning / surge protector, and be properly grounded. Use an electrostatic discharge workstation (ESD) and/or wear an anti-static wrist strap while you work. In addition to the grounding terminal of the plug, on the back panel, there is another, separate terminal for earthing.

Mise à la terre — Pour éviter d'endommager votre matériel, assurez-vous que les branchements qui entrent à partir de l'extérieur du bâtiment passent par un parafoudre / parasurtenseur et sont correctement mis à la terre. Utilisez un poste de travail de décharge électrostatique (ESD) et / ou portez un bracelet anti-statique lorsque vous travaillez. Ce produit possède une borne de mise à la terre qui est prévu à l'arrière du produit, à ceci s'ajoute la mise à la terre de la prise.

This product has a separate protective earthing terminal provided on the back of the product in addition to the grounding terminal of the attachment plug. This separate protective earthing terminal must be permanently connected to earth with a green with yellow stripe conductor minimum size # 16 AWG and the connection is to be installed by a qualified service personnel.

Ce produit a une borne de mise à la terre séparé sur le dos de l'appareil, en plus de la borne de mise à la terre de la fiche de raccordement. Cette borne de mise à la terre séparée doit être connecté en permanence à la terre avec un conducteur vert avec la taille bande jaune de minimum # 16 AWG et la connexion doit être installé par un personnel qualifié.

Regulatory Notices

Federal Communication Commission (FCC) – USA

This device complies with Part 15 of the FCC Rules. Operation is subject to the following two conditions:

- (1) this device may not cause harmful interference, and
- (2) this device must accept any interference received; including interference that may cause undesired operation.

This equipment has been tested and found to comply with the limits for a Class A digital device, pursuant to Part 15 of the FCC Rules. These limits are designed to provide reasonable protection against harmful interference when the equipment is operated in a commercial environment. This equipment generates, uses, and can radiate radio frequency energy, and if it is not installed and used in accordance with the instruction manual, it may cause harmful interference to radio communications. Operation of this equipment in a residential area is likely to cause harmful interference, in which case the user will be required to correct the interference at his own expense.

WARNING: Any changes or modifications to this product not expressly approved by the party responsible for compliance could void the user's authority to operate the equipment.

Innovation, Science and Economic Development (ISED) – Canada

CAN ICES (A) / NMB (A)

This digital apparatus does not exceed the Class A limits for radio noise emissions from digital apparatus set out in the Radio Interference Regulations of the Canadian Department of Communications.

Cet appareil numérique n'émet pas de bruits radioélectriques dépassant les limites applicables aux appareils numériques de la classe A prescrites dans le Règlement sur le brouillage radioélectrique édicte par le ministère des Communications du Canada.

European Conformity (CE) - EU

This is a Class A product. In a domestic environment, this product may cause radio interference, in which case the user may be required to take adequate measures.



Voluntary Control Council for Interference (VCCI) – Japan

この装置は、クラスA機器です。この装置を住宅環境で使用すると電波妨害を引き起こすことがあります。この場合には使用者が適切な対策を講ずるよう要求されることがあります。

VCCI-A

Bureau of Standards Metrology and Inspection (BSMI) – Taiwan

The presence conditions of the restricted substance (BSMI RoHS table) are available at the link below:

限用物質含有情況表 (RoHS Table) 請到以下 網址下載:

<https://www.fortinet.com/bsmi>

警告： 為避免電磁干擾，本產品不應安裝或使用於住宅環境。

請仔細閱讀以下說明

本設備勿置於潮濕處。

連接至電源前，請先檢查電壓。

當設備不用時，請將所有電源線拔除，避免電壓不穩而造成傷害。

勿將任何液體濺入設備中，避免線路短路。

基於安全理由，只有受到專業訓練的從業人員，才可以打開本設備。

請勿自行調整或修理已通電的設備，以確保您的安全。

如不小心受傷，請立刻找急救人員給予您適當的救護，千萬別因傷勢輕微而忽略自己的傷勢。

請依照台灣法規處置電池。

若不正確替換電池可能導致爆炸危險，替換電池時，請使用設備生產商推薦使用的電池。

請勿拆卸、刺穿或以其他方式損壞電池。

雷射設備非用戶維修設備，請與生產商聯繫維修事宜。

注意：要斷開電源，請將所有電源線從本機上拔下

英屬蓋曼群島商防特網股份有限公司台灣分公司

地址：台北市內湖區行愛路176號2樓

電話：(02) 27961666

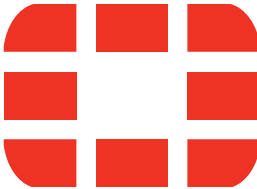
China

警告：在居住环境中，运行此设备可能会造成无线电干扰。

Agência Nacional de Telecomunicações (ANATEL) – Brazil

CISPR22

Este produto não é apropriado para uso em ambientes domésticos, pois poderá causar interferências eletromagnéticas que obrigam o usuário a tomar medidas necessárias para minimizar estas interferências.



September 25, 2025

Copyright © 2025 Fortinet, Inc. All rights reserved. Fortinet®, FortiGate®, FortiCare® and FortiGuard®, and certain other marks are registered trademarks of Fortinet, Inc., and other Fortinet names herein may also be registered and/or common law trademarks of Fortinet. All other product or company names may be trademarks of their respective owners. Performance and other metrics contained herein were attained in internal lab tests under ideal conditions, and actual performance and other results may vary. Network variables, different network environments and other conditions may affect performance results. Nothing herein represents any binding commitment by Fortinet, and Fortinet disclaims all warranties, whether express or implied, except to the extent Fortinet enters a binding written contract, signed by Fortinet's SVP Legal and above, with a purchaser that expressly warrants that the identified product will perform according to certain expressly-identified performance metrics and, in such event, only the specific performance metrics expressly identified in such binding written contract shall be binding on Fortinet. For absolute clarity, any such warranty will be limited to performance in the same ideal conditions as in Fortinet's internal lab tests. Fortinet disclaims in full any covenants, representations, and guarantees pursuant hereto, whether express or implied. Fortinet reserves the right to change, modify, transfer, or otherwise revise this publication without notice, and the most current version of the publication shall be applicable.

For Product License Agreement / EULA and Warranty Terms, visit <https://www.fortinet.com/content/dam/fortinet/assets/legal/EULA.pdf>

FSR-112F-POE-QSG-20250925